

Job Name: _____
Location: _____
Contact #: _____

Specifications

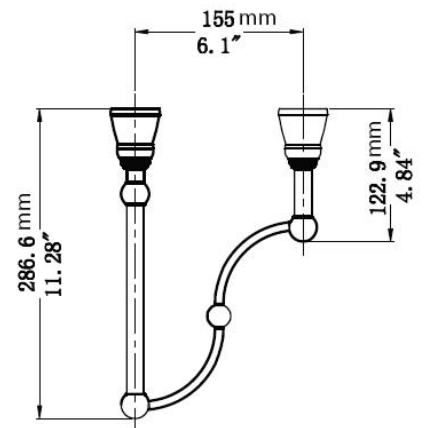
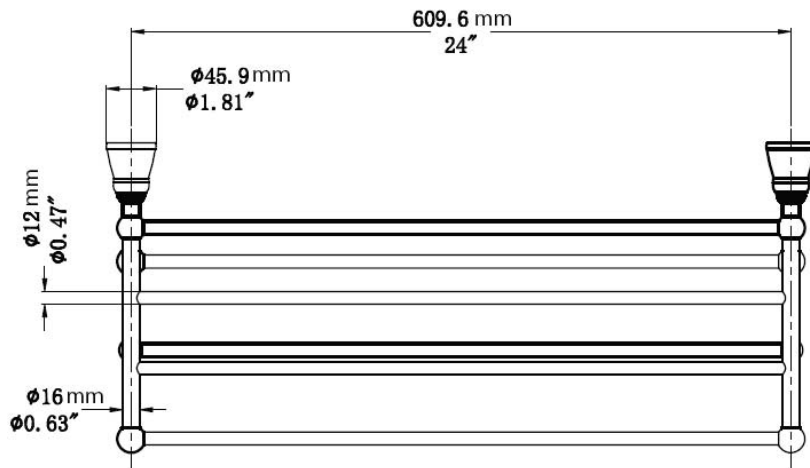
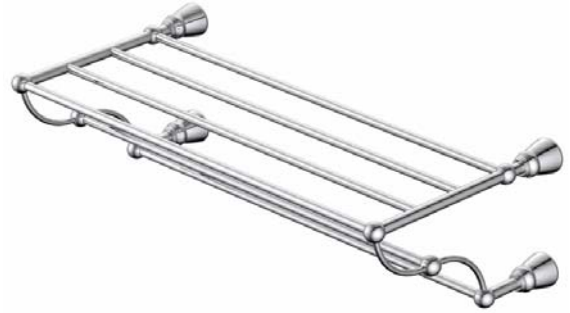
Model

- 400683–Chrome finish
- 400684–Brushed nickel finish

24" Towel Rack

Description

- o Easy installation
- o Lifetime warranty
- o Metal construction
- o Matching faucet of 400683 is 412398
- o Matching faucet of 400684 is 412399



Technical Support

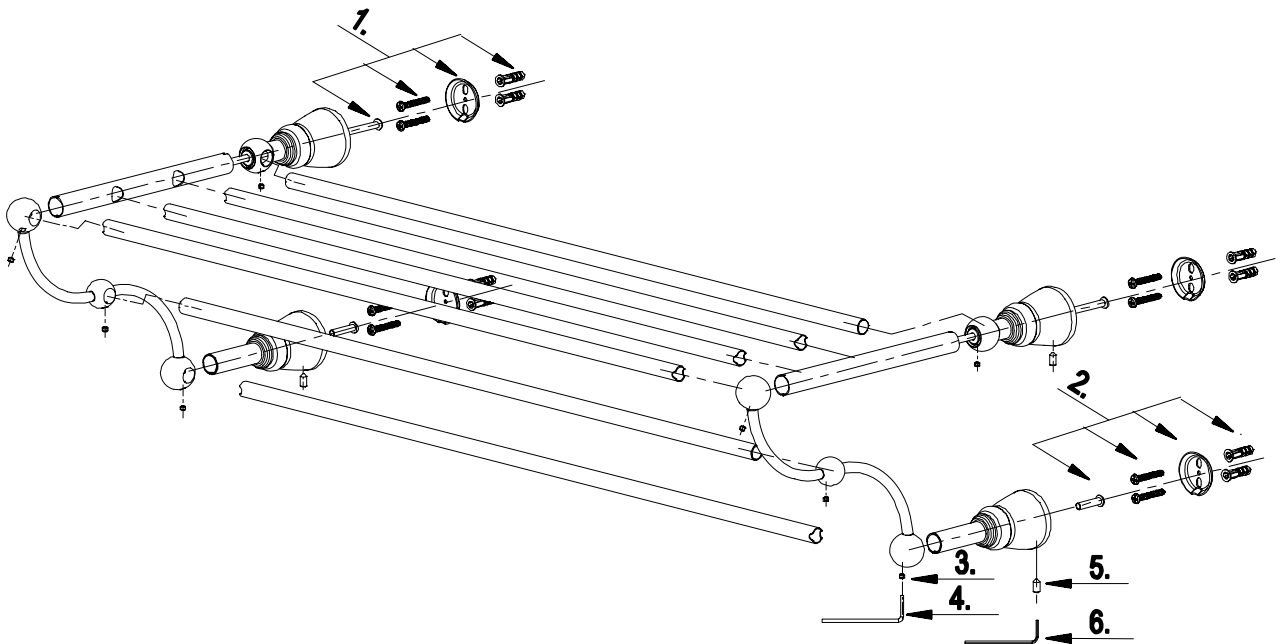
888-328-2383

Manufacturer model# B1ZZ00

Warranty Parts List

24" Towel Rack

#	Description	Part #
1	holding hardware	RB0089
2	holding hardware	RB0090
3	screw (M4 * 3mm L)	RB0091
4	hex wrench	RB0092
5	screw (M5 * 10mm L)	RB0093
6	hex wrench	RB0094



Technical Support

888-328-2383

Manufacturer model# B1ZZ00