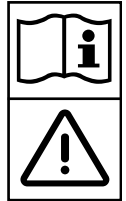
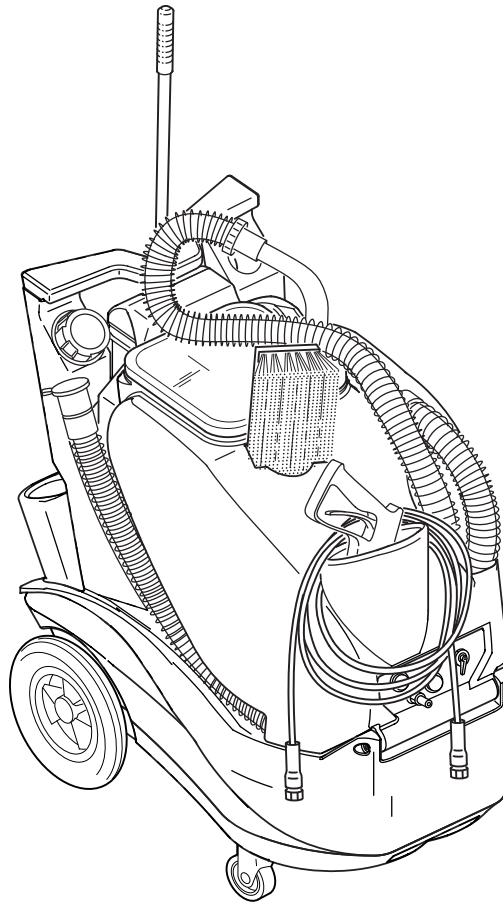


ALL CLEANER, ALL CLEANER XP



INSTRUCTIONS FOR USE AND PARTS LIST
MODELS: 56380772, 56381594



IMPORTANT SAFETY INSTRUCTIONS

This machine is only suitable for commercial use, for example in hotels, schools, hospitals, factories, shops and offices other than normal residential housekeeping purposes.

When using any electrical appliance, basic precautions should always be followed, including the following:

NOTE: Read all instructions before using this machine.

WARNING!

To reduce the risk of fire, electric shock, or injury:

- Always use the power cord that comes with the machine and includes a GFCI (Ground Fault Circuit Interrupter). Never use the machine without connecting to power through a GFCI.
- Do not leave the machine when it is plugged in. Unplug the unit from the outlet when not in use and before servicing.
- To avoid electric shock, do not expose to rain or snow. Store and use indoors.
- Do not allow to be used as a toy. Close attention is necessary when used near children.
- Use only as described in this manual. Use only the manufacturer's recommended attachments.
- Do not use with a damaged cord or plug. If the appliance is not working as it should, has been dropped, damaged, left outdoors, or dropped into water, return it to a service center.
- Do not pull by the cord, use the cord as a handle, damage the cord, or allow the cord or the machine near heated surfaces.
- Do not unplug by pulling on the cord. To unplug, grasp the cord end.
- Do not handle the plug, the cord, or the machine with wet hands.
- Do not put any objects into openings. Do not use with any opening blocked; keep free of dust, lint, hair, and anything that may reduce air flow.
- Keep loose clothing, hair, fingers, and all parts of your body away from the openings and moving parts.
- Do not pick-up anything that is burning or smoking, or any health endangering dusts.
- Turn off all controls before unplugging.
- Always use chemicals with a pH between 4 and 12, and never introduce the chemicals in the tank. Always use the chemical siphoning system.
- Use extra care when cleaning on stairs.
- Do not use to pick up flammable or combustible liquids, and do not use in any areas where these may be present.
- If foam or liquid comes out with the vacuum exhaust, switch the power off immediately. Verify that there are not foreign objects from preventing the float ball from moving freely. Contact Advance if the problem persists.
- Liquid ejected at the spray nozzle could be dangerous as a result of its temperature, pressure, or chemical content.

SAVE THESE INSTRUCTIONS

WARNING!

The Products sold with this Manual contain or may contain chemicals that are known to certain governments (such as the State of California, as identified in its Proposition 65 Regulatory Warning Law) to cause cancer, birth defects or other reproductive harm. In certain locations (including the State of California) purchasers of these Products that place them in service at an employment job site or a publicly accessible space are required by regulation to make certain notices, warnings or disclosures regarding the chemicals that are or may be contained in the Products at or about such work sites. It is the purchaser's responsibility to know the content of, and to comply with, any laws and regulations relating to the use of these Products in such environments. The Manufacturer disclaims any responsibility to advise purchasers of any specific requirements that may be applicable to the use of the Products in such environments.

INTRODUCTION

This manual will help you to get the most from your Advance All Cleaner. Read it thoroughly before operating the machine. This product is intended for commercial use only.

PARTS AND SERVICE

Repairs, when required, should be performed by Advance service personnel using original replacement parts and accessories. Call Advance for repair parts or service.

Please specify the Model and Serial number when calling about your machine.

NAME PLATE

The model and serial number of your machine are shown on the Name Plate on the machine.

This information is needed when ordering parts for the machine.

Use the space below to note the model and serial numbers of your machine.

MODEL NUMBER/NAME: _____

SERIAL NUMBER: _____

UNPACKING

When the machine arrives, carefully inspect the shipping carton and the machine for damage. If damage is evident, save the shipping carton so that it can be inspected by the carrier. Contact the Advance customer service department immediately to file a freight damage claim.

DO NOT OPERATE THE MACHINE UNTIL YOU HAVE READ THIS SECTION

IMPROPER USE WILL VOID THE WARRANTY

- Always use a defoamer when foaming occurs to prevent vacuum motor damage.
- To keep fittings, pumps, and lines from damage during freezing conditions, use RV anti-freeze in the pump or keep the machine inside heated areas.
- Do not let the pump run dry.
- All chemicals should be added through the feed system and NOT in the tank.
- All extension cords must have a rating of at least 12/3 (12 gauge cord). Extension cords should be no longer than 50 feet. Replace the plug immediately if the ground prong becomes damaged or is broken off.
- DO NOT use water heated to greater than 120 °F (54 °C).

120VAC GROUNDING INSTRUCTIONS

This appliance must be grounded. If it should electrically malfunction, grounding provides a path of least resistance for electric current to reduce the risk of electric shock. This appliance is equipped with a cord having an equipment-grounding conductor and grounding plug. The plug must be plugged into an appropriate outlet that is properly installed and grounded in accordance with all local codes and ordinances.

DANGER!

Improper connection of the equipment-grounding conductor can result in a risk of electric shock. Check with a qualified electrician or service person if you are in doubt as to whether the outlet is properly grounded. Do not modify the plug provided with the appliance. If it will not fit the outlet, have a proper outlet installed by a qualified electrician.

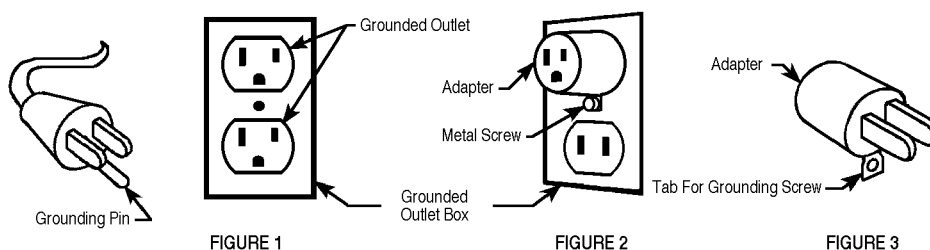
This appliance is for use on a nominal 120-volt circuit, and has a grounding plug that looks like the plug illustrated in Figure 1 below. A temporary adapter illustrated in Figures 2 and 3 may be used to connect this plug to a 2-pole receptacle as shown in Figure 2 if a properly grounded outlet is not available. The temporary adapter should be used only until a properly grounded outlet (Figure 1) can be installed by a qualified electrician. The green-colored rigid ear, tab, or the like extending from the adapter must be connected to a permanent ground such as a properly grounded outlet box cover. Whenever the adapter is used, it must be held in place by a metal screw. Grounding adapters are not approved for use in Canada.

Replace the plug if the grounding pin is damaged or broken.

The Green (or Green/Yellow) wire in the cord is the grounding wire. When replacing a plug, this wire must be attached to the grounding pin only.

Extension cords connected to this machine should be 12 gauge, three-wire cords with three-prong plugs and outlets. DO NOT use extension cords more than 50 feet (15 m) long.

PLEASE NOTE: FOR NORTH AMERICA ONLY



KNOW YOUR MACHINE DESCRIPTIONS

Operator Handle (1): Operator holds onto this handle to move the machine from one location to another.

Solution Tank Lid (2): This lid screws off so the tank can be filled. The solution fill hose is tethered to the lid, and hangs inside the arm of the Operator Handle.

Recovery Tank Lid (3): This lid covers the opening in the Recovery Tank. This is where the operator can access the tank to clean it and the ball float cage. The tank can be flushed out by running clean warm water into this opening and laying the open drain hose into a bucket or drain.

Recovery Hose (4): Waste water is picked-up through this hose.

Spray Hose (5): This hose delivers water from the machine to the cleaning tool.

Drain Hose (6): This hose is used to empty the recovery tank. NOTE: hold the end of the hose above the water level in the tank to avoid sudden, uncontrolled flow of waste water when you remove the cap, then lower the hose slowly to control the rate of discharge.

Quick Disconnect (7): Point of attachment for the Spray Hose (5).

Tools & Accessories (8): Various accessories can be stored on the machine.

Castors and Wheels (9): Castors pivot for ease of steering, and large back wheels make it easy to roll the machine from location to location.

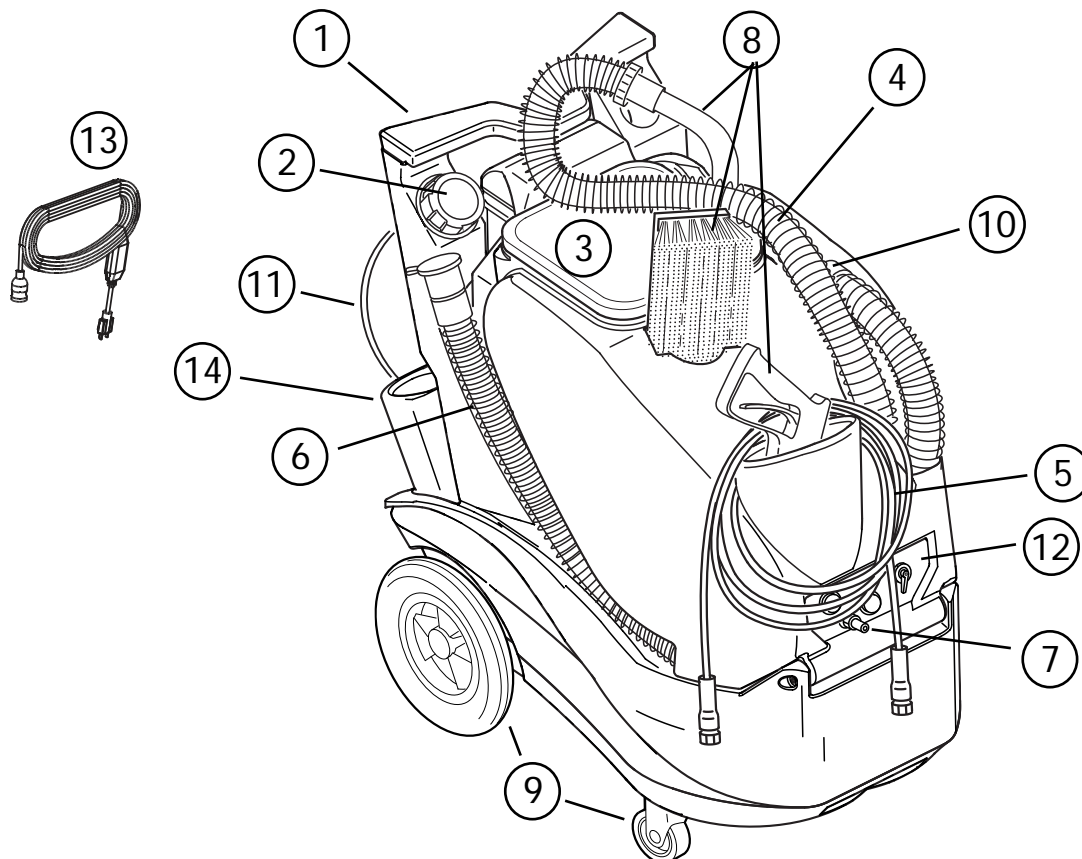
Recovery Hose Inlet (10): Point of attachment for the Recovery Hose (4).

Chemical Feed Lines (11): These clear tubes connect the cleaning chemical containers to the machine where the chemical can be siphoned into the outlet water from the pump. Metering tips -- used to change the ratio of water to chemical -- are installed here.

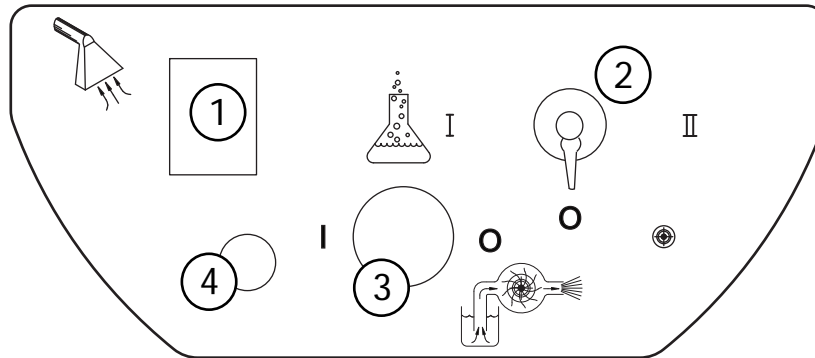
Switch Plate (12): The machine's on/off switches for the vacuum and for the pump are located here and this is where the valve to change chemical feeds is located.

Power Cord (13): The 25 ft. power cord connects to a power cord pigtail on the rear of the machine.

Chemical Container Holders (14): Two molded-in bottle holders for chemical jugs.



KNOW YOUR SWITCH PLATE



Vacuum Switch (1): turns on the vacuum motor.

Chemical Valve (2): switches between the two chemical containers. When the selector is pointed straight down, the valve is off and neither chemical is selected. When the selector is pointed directly towards one or the other symbols, that chemical is selected.

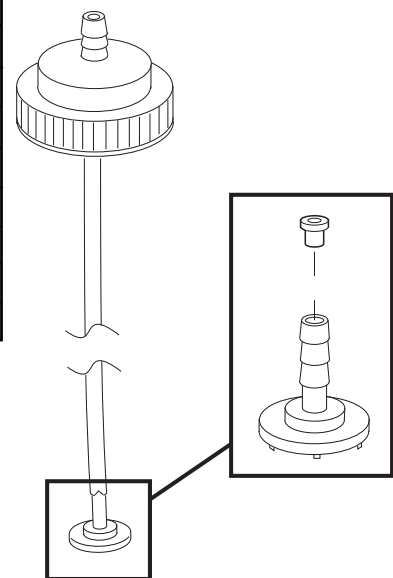
Solution Pump Switch (3): turns on the solution pump.

Quick Connect (4): this is where solution comes out of the machine and the attachment point for the solution hose.

METERING TIPS

The chemical metering tips allow you to select the ratio of chemical to water, as the water flows out of the machine. Insert the correct metering tip for the desired mixture into the chemical siphon tube.

METERING TIPS			
COLOR	HOLE SIZE	MIX RATIO	FLOW RATE
Orange	0.007	1 oz : 128 oz	1.0 oz/gal
Pink	0.012	1 oz : 64 oz	2.5 oz/gal
Dark Green	0.014	1 oz : 50 oz	3.0 oz/gal
Yellow	0.016	1 oz : 32 oz	5.0 oz/gal
Light Blue	0.020	1 oz : 20 oz	6.0 oz/gal
Burgundy	0.022	1 oz : 15 oz	9.0 oz/gal
Black	0.048	1 oz : 5 oz	20 oz/gal



OPERATION

- 1) Insert the appropriate metering tips into the chemical feed lines (see illustration, page 5).
- 2) Fill the holding tank with warm water (not exceeding 120 °F). **Do not** add any chemical to the tank.
- 3) Prepare the area for cleaning by emptying waste receptacles, clearing debris, removing paper products, blowing out vents, and sweeping floors.
- 4) Connect the 25 ft power cord to the pig-tail on the rear of the machine. Test the GFCI on the power cord before each use. Plug the GFCI protected power cord into an outlet.
- 5) **PRIME THE PUMP:** Attach the priming hose to the outlet quick disconnect and place the open end of the hose into the recovery tank. Turn on the pump and let it run until the pump is completely primed (no visible air in the water stream). Turn the pump off.
NOTE: prime the machine before you place the chemical feed tubes into chemical containers.
- 6) Disconnect the priming hose and attach the solution hose to the quick disconnect.
- 7) Attach the spray gun to the other end of the solution line.
- 8) Place chemicals in the molded-in chemical bottle containers on the rear of the machine. Insert one of the feed lines into one of the chemical containers. Secure the line by screwing on the cap. The chemical will feed from which ever container the selector valve on the switch plate is turned towards and when the gun is used in the low pressure setting. Use chemicals with a pH of between 4 and 12. Never add chemicals to the clean water tank.
- 9) Set the spray gun to low pressure by sliding the pressure selector forward (low pressure = forward; high pressure = back).
- 10) Turn on the pump switch (push button) and spray through the gun for a few seconds to fill the line with solution.
- 11) Apply the chemical to the walls and fixtures from the bottom up. Spray the floor last as you work your way out of the room.
- 12) Allow the chemical to work for the proper amount of dwell time, according to the chemical manufacturer's directions. Agitate heavily soiled areas with a scrub brush.
- 13) Turn off the chemical injector valve by turning the selector to the down position.
- 14) Set the spray gun to high pressure and rinse the area from the top down.
- 15) Connect the vacuum hose, attach the squeegee, and turn on the vacuum (rocker switch).
- 16) Squeegee off the mirrors, pick up the liquid off the floor with the floor tool. If you have the optional blow dry hose, use it to dry the fixtures.
- 17) Drain the recovered water into a utility sink or toilet. **NOTE:** Keep the top of the drain hose higher than the water level in the tank to avoid uncontrolled discharge of water when you open the cap on the hose.



CAUTION

To avoid vacuum motor damage, always use a defoamer any time foam is present.

Before you turn on the vacuum always make sure the filter screen on the ball float is clean and that the ball can travel freely.



RE-PRIMING THE PUMP

If the pump loses prime between jobs, follow the instructions to PRIME THE PUMP, above. If that doesn't get water flowing, put the priming hose into the vacuum inlet hose barb and cover the rest of the space around the priming hose with your hand. Turn on the vacuum (with the pump also running) and let the suction of the vacuum assist in getting water into the pump.

MAINTENANCE

- 1) Use only approved chemicals at the recommended mix ratios. All chemicals should be added through the feed system and NOT added directly to the water in the solution tank to prevent possible damage to the pump, seals, or other components.
- 2) For optimum performance, flush the Chemical Feed lines after every job by replacing the chemical containers with containers of clear water and spraying through the gun until the fluid stream is clear. See the Maintenance Schedule, below.
- 3) The pump seals and/or valves in the high pressure pumps may need to be replaced after about 1000 hours of use, if the pump begins to loose performance or to leak. The pressure regulator valve may need to be when a drop in the spraying pressure at the tool is apparent.
- 4) If the 4", clear lid is removed from the top of the base (solution tank), you will need to apply a silicone sealant to the threads when you reinstall the lid to seal for vacuum leaks.

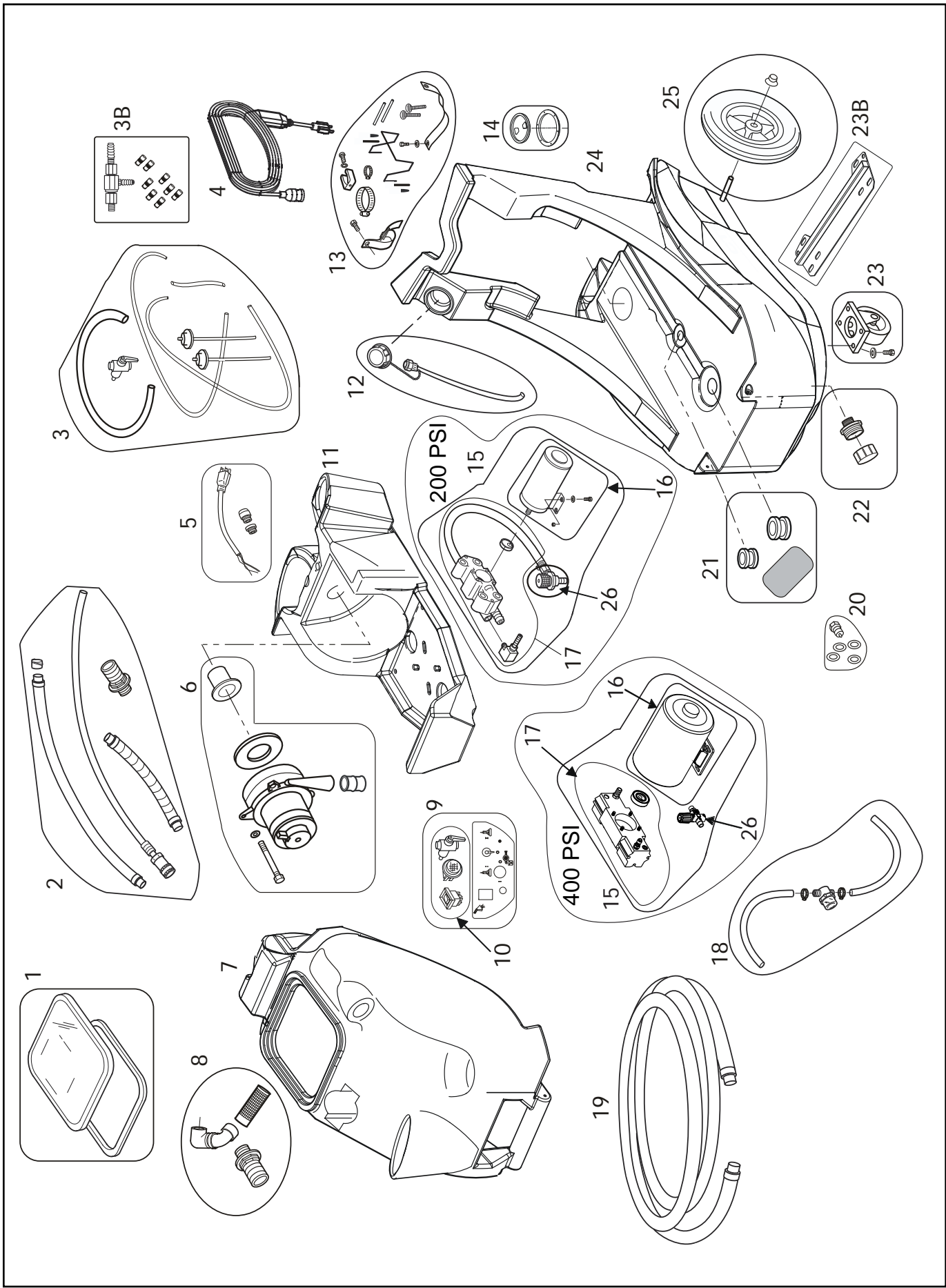
MAINTENANCE SCHEDULE

ITEM	DAILY	WEEKLY	QUARTELY	YEARLY
Flush chemical lines	X			
Check/clean vac inlet filter	X			
Clean solution filter		X		
Check vacuum motor airways		X		
Check pump for leaks			X	
Check vacuum motor brushes*				X

* Have Advance check the carbon brushes once a year or after about 500 hours of operation.

TECHNICAL SPECIFICATIONS (as installed and tested on the unit)

MODEL	56380772	56381594
VACUUM MOTOR:	2 stage, 8 amp	2 stage, 8 amp
WATER LIFT:	97"	97"
AIR FLOW:	100 CFM	100 CFM
TANK CONSTRUCTION:	Rotationally molded polyethylene	Rotationally molded polyethylene
SOLUTION TANK CAPACITY:	20 gallon	20 gallon
RECOVERY TANK CAPACITY:	12 gallon	12 gallon
APPLICATION FLOW:	200 psi	400 psi
VAC & SOLUTION HOSE LENGTH:	15 feet	15 feet
POWER CORD:	25 feet	25 feet
HEIGHT:	38.5 inches	38.5 inches
WIDTH:	21.25 inches	21.25 inches
LENGTH:	34 inches	34 inches
WEIGHT	85 LBS	85 LBS



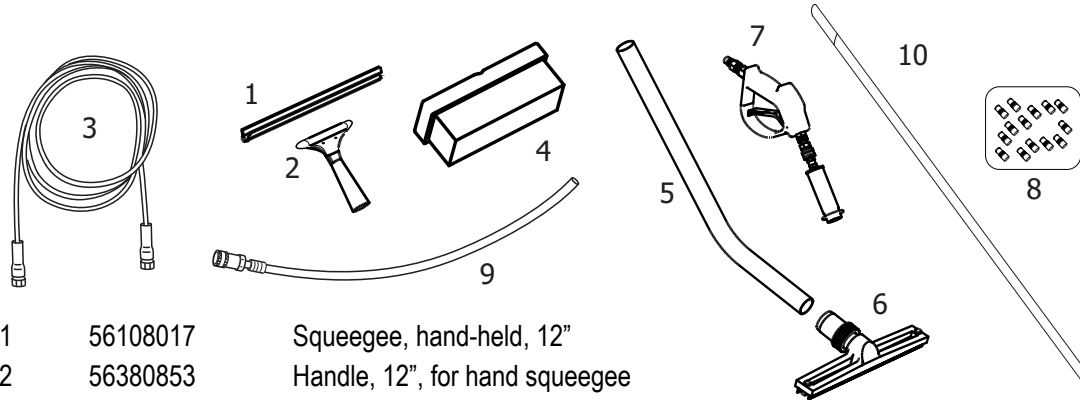
Item	Ref. No.	Qty	Description	Item	Ref. No.	Qty	Description	Item	Ref. No.	Qty	Description
1	56380775	1	Lid and gasket, recovery tank	12		1	Lid, with fill hose, holding tank/base	23	56380798	1	Castor kit
[]		1	Lid 12 X 12 Ester Coplyester	[]		1	Elect Butt Conn 10-12 Ga Non-I	[]		2	Castor Swivel 4 Gray Non Ma
[]		1	Screw 6-32 X 1/2 Panhead	[]		1	Hose Fill Apc	[]		8	Washer Flat 3/16 Zinc Plat
[]		1	Nut Nylon Lock 6/32 Z.P.	[]		1	Adapter Faucet Inside/Outsid	[]		8	Screw 1/4-20 X 5/8 Hexs Co
[]		1	Chain 8 W/ D Couplings Both E	[]		1	Tie Wire 8 W/Mounting Hole	[]		2	Plug Square Tube Smooth 3/4
[]		2.875	Gasketseal Black Neoprene 8	[]		1	Chain 8 W/ D Couplings Both E	[]		1	Castor Plate For The Orca With
2	56380780	1	Hose kit, drain, priming and vac inlet	[]		1	Tie Wire 8 W/Mounting Hole	23B	56380904	1	Castor plate, with plugs
[]		1	Plug Drain Hose 1 1/2 Dia Gre	[]		1	Cap-Raw With Tether	[]		2	Plug Square Tube Smooth 3/4
[]		1	Hose Drain 1- 1/2 Dia X 24	13	56380843	1	Fasteners kit	[]		1	Castor Plate For The Orca With
[]		1	Hose Clamp 3/4 X 1 3/4 Ss	[]		2	Hinge Pin 1/4 X 2.25 S/S	24	56380795	1	Holding tank/base
[]		1	Hose Vacuum Clear 1-1/2 X	[]		1	Clip Handle Black Vinyl Coated	[]		2	Plug Square Tube Smooth 3/4
[]		1	Hose Barb Fitting Black Abs	[]		1	Strap/Buckle Cord Wrap W/Spur	[]		1	Base For Apc/Orca Dark Gray
[]		1	Syphon/Priming Hose For 300 An	[]		1	Bolt 8-32 X 1/2 Pan Head	[]		1	Castor Plate For The Orca With
[]		1	Clamp Hose Plastic Dump Hose	[]		3	Washer Internal Tooth 10	25	56380799	1	Wheel kit
3	56380782	1	Tubing kit, water and chemical feed	[]		2	Hose Clamp 3/4 I.D. For Hhp	[]		2	Wheel 10 Grey Plastic Insert
[]		20	Hose 3/8 Id 0.688 Od Red	[]		1	Wire Hanger 3/16 S/S 8 Gall	[]		2	Axel Cap Black Pl Nut
[]		126"	Tubing Clear 1/4 Idx 3/8 Od	[]		2	Cap Black .165 I.D. X 27/16 I	[]		1	Axel Rod Zinc Plated 1/2 Ro
[]		2	Chemical Feed Cap & Tube W/ff	[]		2	Cap .281 I.D. X 1/2 Long In B	26	56380893	1	Pressure Regulator (200 psi)
[]		2	Reducer 3/8 Pipe Female To 1	[]		2	Screw Thumb 1/4-20 X 1 Type	945D		1	Unloader Valve (400 psi)
[]		1	Injector Chemical Brass 4500	[]		2	Washer 1/4 I.D. 1 O.D. F				
[]		1	Hose Barb Solution Tank Standa	14	56380841	1	Lid and ring, 4"				
3B	56380913	1	Chemical metering injector and tips	[]		1	Lid And Ring 4 Lid Clear				
[]		2	Metering Tip Black 0.048 Orif	[]		6	Screw 8-32 X 7/8 Panhead Phi	[]	56380844	1	Labels Kit All Cleaner
[]		2	Metering Tip Burgundy 0.022 O	[]		6	Nut Nylon Lock 8-32 Stainles	[]		1	Label N/A & Kent Warning 6 Lo
[]		2	Metering Tip Light Blue 0.020	[]		1	Chain 8 W/ D Couplings Both E	[]		2	Label All Cleaner 6 X 3 Ov
[]		2	Metering Tip Yellow 0.016 Ori	[]		1	Gasket For Apc Closed Cell B	[]	56380867	1	Pallet Kit Component Mounting
[]		2	Metering Tip Dark Green 0.014	15	56380789	1	Kit-Pump and Motor (200 psi)				
[]		2	Metering Tip Pink 0.012 Orif	[]		1	Pump & Motor 200 Psi 120v.				
[]		2	Metering Tip Orange 0.007 Ori	[]		8"	Tubing Black 3/4 Id X 1				
[]		1	Injector Chemical Brass 4500	[]		1	Elbow 90 Deg 1/4 Fpt X 1/4 F				
4	56380774	1	Power cord, 25 ft, with GFCI	[]		1	Hose Barb With Male 1/4 Pipe X				
5	56380783	1	Power cord pigtail with cord retainer	[]		4	Hose Clamp 3/8-7/8				
6	56380781	1	Vacuum motor kit, with gasket and hose	[]		2	Electrical Conne. .250 X .032				
[]		1	Sleeve Vacuum Outlet For Hos	15	56380923	1	Kit-Pump and Motor (400 psi)				
[]		2	Electrical Conne. .250 X .032	[]		1	Pump Piston Style 300-500 Ps				
[]		1	Vacuum Motor 120 Volts 2-Sta	[]		1	Motor A/C 1/3 Hp For 300 Psi P				
[]		1	Gasket 1 Side Adhesive 5-1/2 O	[]		1	Bearing & Cam Assembly Size 1				
[]		4	Hose 2 Id 50 Lenght Rb	16	56380791	1	Motor-Pump Drive (200 psi)				
7	56380785	1	Tank, Recovery, complete	2060		1	Motor-Pump Drive (400 psi)				
[]		1	Vacuum Tank Orca 8 Gal Grey	17	56380790	1	Pump Complete (200 psi)				
[]		2	Hose Barb Fitting Black Abs	[]		1	Pump Head 114v Buna U-Valve				
[]		1	Spin Weld Boss 1- 3/16	[]		4"	Tubing Black 3/4 Id X 1				
[]		1	Plug Drain Hose 1 1/2 Dia Gre	[]		1	Elbow 90 Deg 1/4 Fpt X 1/4 F				
[]		1	Hose Drain 1- 1/2 Dia X 24	[]		1	Hose Barb With Male 1/4 Pipe X				
[]		1	Hose Clamp 3/4 X 1 3/4 Ss	[]		4	Hose Clamp 3/8-7/8				
[]		1	Clamp Hose Plastic Dump Hose	[]		1	Bearing & Cam Assembly				
[]		1	Elbow 90 Degree Abs 1-1/2 S	17	56380902	1	Pump Complete (400 psi)				
[]		1	Adapter Abs 1-1/2 Trap Sl	[]		1	Hose Assy Mpt X Fm Swivel Ove				
[]		1	Elbow 90 Pvc 1-1/2 Slip X F	[]		1	Hose Barb 1/2 Hose To 3/8 M				
[]		1	Filter S/S Ball Float With Rig	[]		1	Flare Fitting Fm 90 Deg -6 X				
[]		1	Adapter Female 1 1/2	[]		1	Quick Connect Plug Brass 1/				
8	56380779	1	Vacuum inlet kit	[]		1	Coupling 3/8 X 3/8 Brass				
[]		1	Filter S/S Ball Float With Rig	[]		1	Quick Connect Brass 1/4 Fpt				
[]		1	Elbow 90 Degree Abs 1-1/2 S	[]		1	Reducer 3/8 Pipe Female To 1				
[]		1	Adapter Abs 1-1/2 Trap Sl	[]		1	Plug Brass Pipe 1/4 Pipe H				
[]		1	Adapter Female 1 1/2	[]		4	Capscrew 1/4-20 X 2 X 1				
[]		2	Hose Barb Fitting Black Abs	[]		4	Washer Rubber 1/4 Id X 3/4				
[]		1	Elbow 90 Pvc 1-1/2 Slip X F	[]		8	Washer Flat 3/16 Zinc Plat				
9	56380786	1	Switch Plate Complete (200 psi)	[]		4	Bolt Hex 1/4-20 X 1 Full				
[]		1	Switch On-Off Illuminated Cle	[]		12.75"	Hose 1/2 Id 2 Braid 250 Psi Go				
[]		1	Switch Plate For The All Clea	[]		6	Hose Clamp 3/8-7/8				
[]		1	Switch Rocker Dpst W/Light 120	[]		1	Hose Barb 1/4 Pipe X 1/2 Hose.				
[]		1	Valve 3-Way For Spotter & Apc	[]		1	Injector Chemical Brass 4500				
[]		2	Hose Barb 90 Deg Nylon 1/8 Mpt	[]		1	Bearing & Cam Assembly Size 1				
9	56380919	1	Switch Plate Complete (400 psi)	[]		1	Pump Piston Style 300-500 Ps				
[]		1	Switch On-Off Illuminated Cle	18	56380788	1	Filter, pump in-line, with hoses				
[]		1	Switch Plate For The All Clea	[]		2	Hose Clamp 3/8-7/8				
[]		2	Hose Barb 90 Deg Nylon 1/8 Mpt	[]		11"	Hose 1/2 Id Wire Reinforced				
[]		1	Valve 3-Way For Spotter & Apc	[]		1	Filter Water In-Line				
[]		16"	Seal Neoprene 5/8 Gap X 1-1	[]		8.75"	Hose 1/2 Id 2 Braid 250 Psi Go				
[]		7	Washer Backup For 1/8 Rivet	19	56380879	1	Vacuum Hose 15 ft Complete				
[]		7	Rivet 1/8 Dia Aluminum 1/8 T	20	56380787	1	Quick disconnect kit, with washers				
[]		14	Bracket Hepa Filter Retaining	[]		1	Quick Disconnect Plug Male				
[]		1	Switch Rocker Dpst On/Off 20	[]		2	Washer Brass Half Hard 1 X				
10	56380847	1	Switch Kit (200 psi)	[]		2	Washer 1 Od X 9/16 Id X				
[]		1	Switch On-Off Illuminated Cle	21	56380851	1	Grommets and foam				
[]		1	Switch Rocker Dpst W/Light 120	[]		1	Foam Reticulated 20 Ppi 1/2 X				
[]		1	Valve 3-Way For Spotter & Apc	[]		1	Grommet 3/4 Id X 3/16 Panel				
[]		2	Hose Barb 90 Deg Nylon 1/8 Mpt	[]		1	Grommet 11/16 Id X 1/4 Pane				
[]		8	Screw 6 X 1/2 S.M.S. S/S	22	56380797	1	Cap, drain, and brass fitting				
10	56380939	1	Switch Kit (400 psi)	[]		1	Adapter Brass 3/4 Hose Male				
[]		2	Hose Barb 90 Deg Nylon 1/8 Mpt	[]		1	Cap Garden Hose 3/4 Fght N				
[]		1	Switch On-Off Illuminated Cle	[]							
[]		1	Switch Rocker Dpst On/Off 20	[]							
[]		1	Valve 3-Way For Spotter & Apc	[]							
[]		1	Instruction Sheet	[]							
11		1	Pallet, component mounting, empty *	[]							

MISCELLANEOUS PARTS

[] = Not Shown
 # = Revised or new since last update

TOOLS

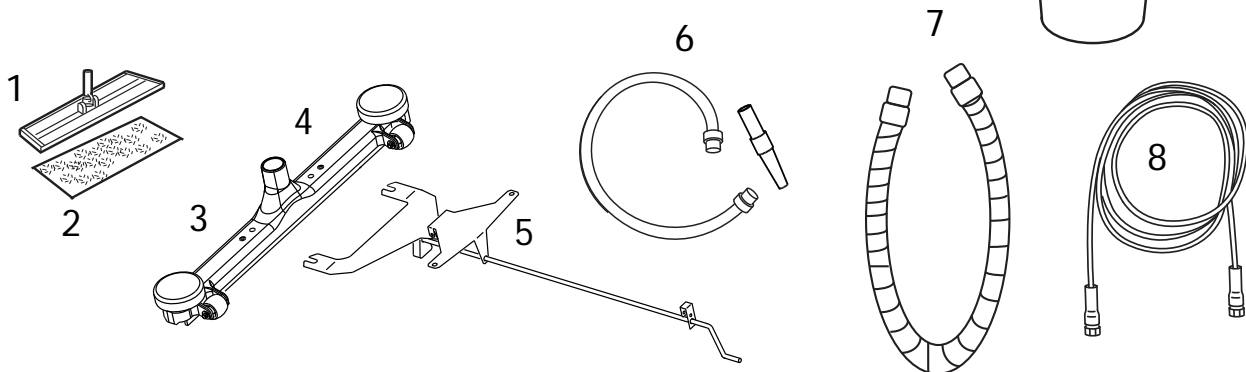
Tool Kit, standard, complete -- 56380846 (200PSI) / 56381618 (400PSI)



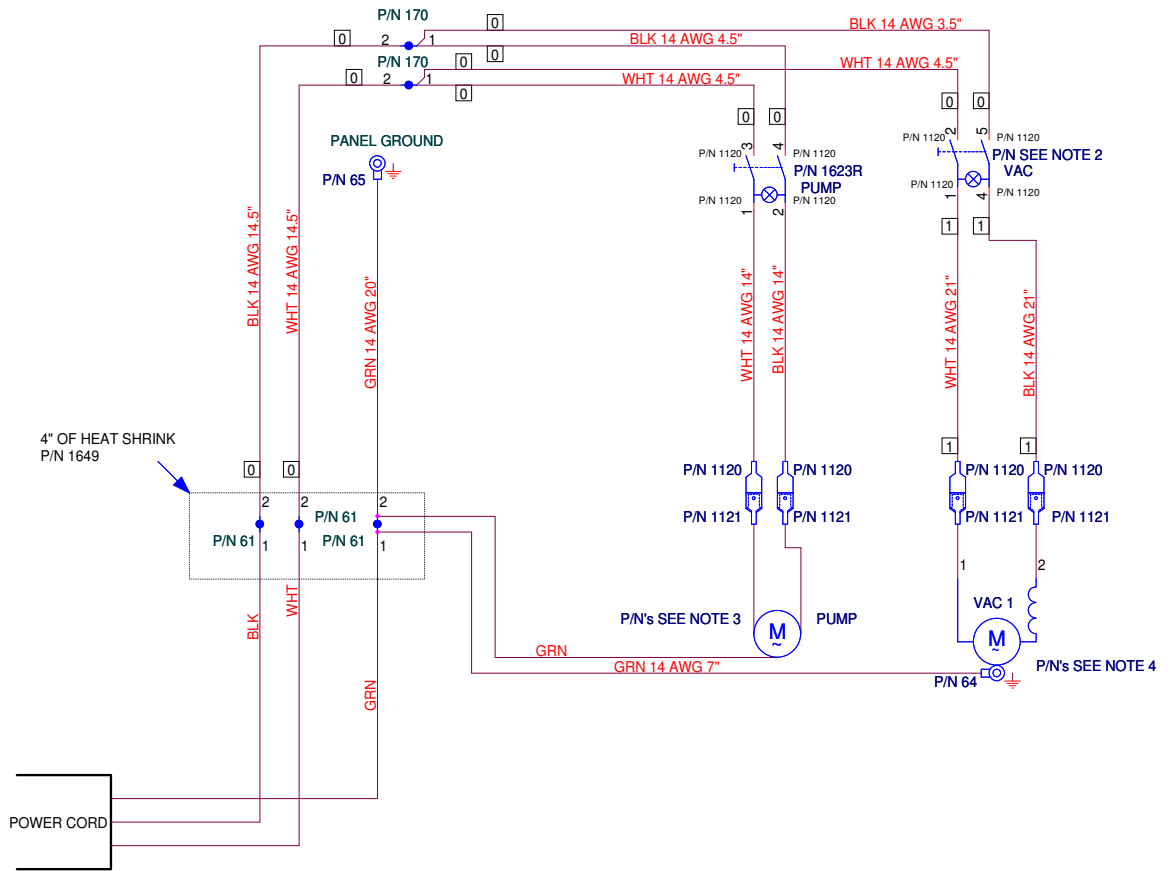
- | | | |
|----|----------|---|
| 1 | 56108017 | Squeegee, hand-held, 12" |
| 2 | 56380853 | Handle, 12", for hand squeegee |
| 3 | 56380804 | Pressure Line 15 Ft Complete (200 psi) |
| | 56381617 | Hose Assy-1/4 X 15 Blue (400 psi) |
| 4 | 56380855 | Brush, dual surface, polypropylene |
| 5 | 56108027 | Wand, two-piece, snap fit |
| 6 | 56108028 | Squeegee, 14', for floor |
| 7 | 56108072 | Spray gun, complete |
| 8 | 56380802 | Metering tip kit, two each of seven sizes |
| 9 | SUBSYP1 | Priming hose assembly, for 200 psi pump |
| 10 | 56380852 | Handle, black, 54" |

OPTIONAL ACCESSORIES

- | | | |
|---|----------|---|
| 1 | 56380856 | Mop frame |
| 2 | 56380857 | Mop, microfiber, package of six |
| 3 | 56380888 | Squeegee assembly, 24" |
| 4 | 56209089 | Squeegee assembly, 30" |
| 5 | 56380871 | Mount assembly, mechanical, for squeegee head |
| 6 | 56380877 | Blower hose assembly, with nozzle |
| 7 | 56380805 | Recovery hose, 25 ft |
| 8 | 56380838 | Solution hose, 25 ft |
| 9 | 56380865 | Bucket, 10 qt |



WIRING DIAGRAM



1. NON-CSA MACHINE
2. VAC SWITCH
 - ALL CLEANER - P/N 2123
 - ALL CLEANER XP AND TFC 400 - P/N 1644
3. PUMPS
 - ALL CLEANER - P/N 960
 - ALL CLEANER AND TFC 400 - P/N 2060(120V)
 - APC 328(400PSI) - P/N 2064-CE
4. VAC
 - ALL CLEANER - P/N 408
 - ALL CLEANER XP AND TFC 400 - P/N 408
 - APC 328(400PSI) - P/N 407A
 - ALL CLEANER XP AND TFC 400 - P/N 2060(120V)



Advance

14600 21st Avenue North
Plymouth, MN 55447-3408

www.advance-us.com

Phone: 800-989-2235

Fax: 800-989-6566

©2011 Nilfisk-Advance, Inc.

A Nilfisk-Advance Brand