

RAVB Replacement Kit: The RAVB replacement kit allows for the replacement of the RAVB thermostatic operator. The RAVB thermostatic operator is distinguishable by the attachment base of the operator. The operator's base has a 3-“prong” style base for attachment to the double solder straight valve.

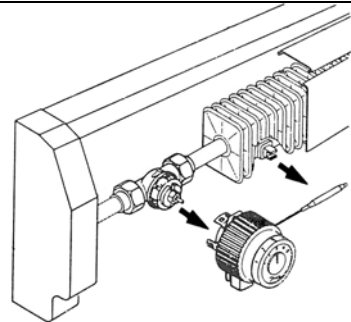
The RAVB adapter kit contains the assembly required to replace the RAVB thermostatic operator with the current RA2000 style of thermostatic operator. Within the adapter kit contains 3 items:

- 1) RAVB to RA2000 adapter
- 2) Valve stem extension
- 3) Standard valve mounted dial style of thermostatic operator

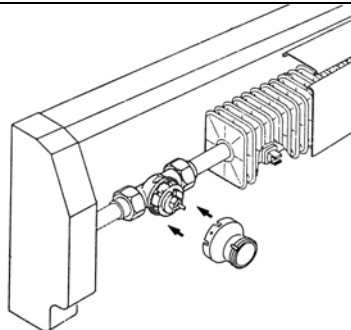
	Replacement Kit	Part #
	RAVB replacement kit, with valve mounted sensor and dial	013X3180
	RAVB replacement kit, with valve mounted dial with remote (6') sensor	013X3182

Installation:

1) Carefully remove the non-functioning RAVB thermostatic operator. Locate the remote sensor by following the capillary tube and remove the remote sensor from the mounting.

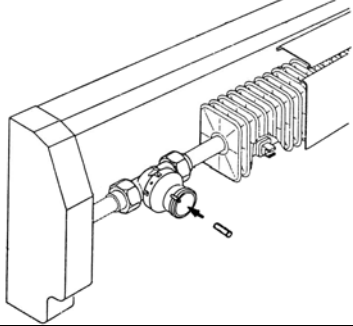
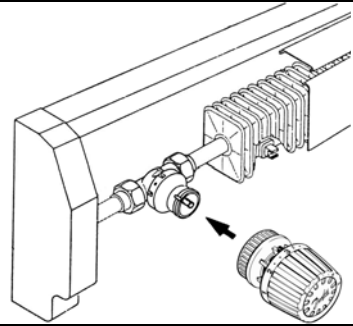
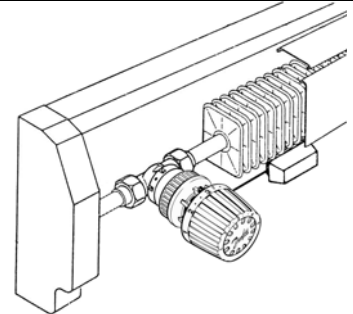


2) Place the adapter with the slotted screw pointing upwards over the 'sprockets' on the valve and turn the adapter to grip the 'sprockets'. With a screw driver tighten the adapter to secure it to the RAVB valve.



Instructions **013X3180 & 013X3182**
RAVB Replacement Kit



<p>3) Place the stem extension over the packing gland pin.</p> <p>If the packing gland needs to be replaced a replacement packing gland can be ordered for the RAVB, part # 013U0070.</p>	
<p>4) Mount the thermostatic operator to the valve. Refer to the installation instructions of the thermostatic operator to properly mount it to the valve.</p>	
<p>5) If the replacement thermostatic operator has a remote sensor, mount it in an appropriate location as reflected in the operator instructions.</p>	

Operation Instructions: For complete details of the installation of the operator, refer to the enclosed style of thermostatic operator.

Danfoss can accept no responsibility for possible errors in printed materials and reserves the right to alter its products without notice.
All trademarks in this material are property of the respective companies. Danfoss and Danfoss logotype are trademarks of Danfoss A/S. All rights reserved.



Head Office:
Danfoss LLC
Mississauga, ON, CANADA L5N 2W3
Tel: 905.285.2050 Fax: 905.285.2055

USA Office:
Danfoss LLC
Baltimore, MD, USA, 21220
Tel: 800.375.4822 Fax: 443.512.0270