



Three-Hole Sink



Four-Hole Sink



**Model# 3562896 to 3562901**  
**Premier Drop-In Double-Bowl Kitchen Sink**  
**Satin Finish Stainless Steel**  
**33" x 22"**

**At a Glance:**

- Corrosion-resistant, type-304 stainless steel with a satin finish
- Single-piece construction
- Raised deck for faucet mounting
- Fully-coated moisture barrier
- Adhered sound-deadening pads
- Universal continuous-rail mounting system
- Available with 3 or 4 holes
- Available in 6, 7, & 8" bowl depths
- Accepts standard 3-1/2 to 4" sink strainers and disposers
- Includes mounting clips and screws (*Replacement item: 3562903*)
- Required countertop cutout: 32-3/8" L x 21-3/8" W

**Compliance:**

- Complies with requirements of ASME A112.19.3

**Listings & Approvals:**

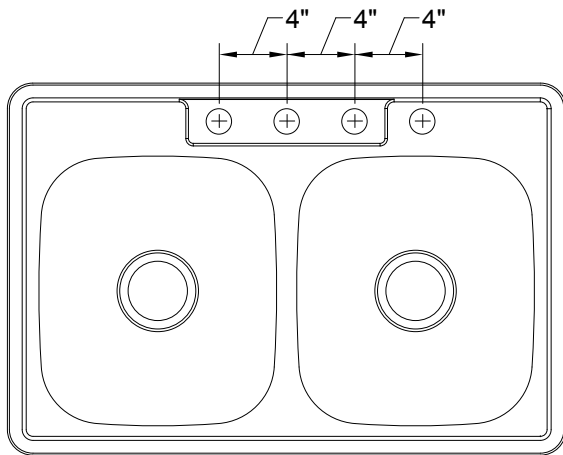
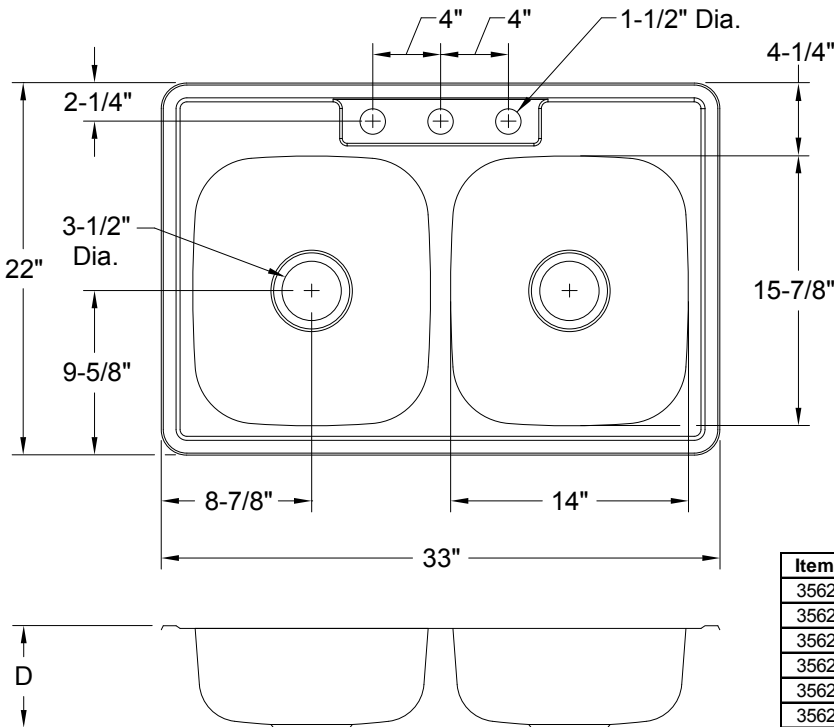
- cUPC (Uniform Plumbing Code-US & CA)

**Warranty:**

- Limited Lifetime Warranty  
\*Refer to Premier warranty program for further details and restrictions.

**Optional Accessories:**

- 122043 - Stainless Steel Sink Strainer
- 143052 - 1/2 HP Disposal
- 143053 - 1/3 HP Disposal



Item No.	Bowl Depth (D)	Material Gauge	Faucet Holes	Weight (Lbs.)
3562900	6"	22	3	12
3562901	6"	22	4	12
3562898	7"	22	3	12
3562899	7"	22	4	12
3562896	8"	20	3	13
3562897	8"	20	4	13

For additional information, contact Premier at 866-745-4010 or visit our website at [www.premierfaucet.com](http://www.premierfaucet.com).

