



seasons®

Raleigh™ Single Handle Kitchen Faucet, Pull Out Spray, With Deckplate, Stainless Steel, 1.8GPM

Part #: 211800

USN #: 320467846

Features

- Metal Lever Handle
- Ceramic Cartridge
- Requires 1-Hole or 3-Hole Installation
- Quick Install Mounting Nut
- Optional Deckplate Included
- Includes Flexible Pert Lines
- 11 1/4" Hot Supply Line & 9 3/8" Cold Supply Line (from Bottom of Faucet)
- 2 1/2" Max Deck Thickness

Performance

- Max Flow Rate 1.8 gpm (6.8L/Min) At 60 psi (ASME A112.18.1 / CSA B125.1)

Compliance Certifications

- cUPC/IAPMO Listed
- ADA Compliant
- NSF 61-9 Compliant
- CA AB1953
- DOE
- CEC
- Commonwealth of Massachusetts
- NSF/ANSI/CAN 61: Q≤ 1

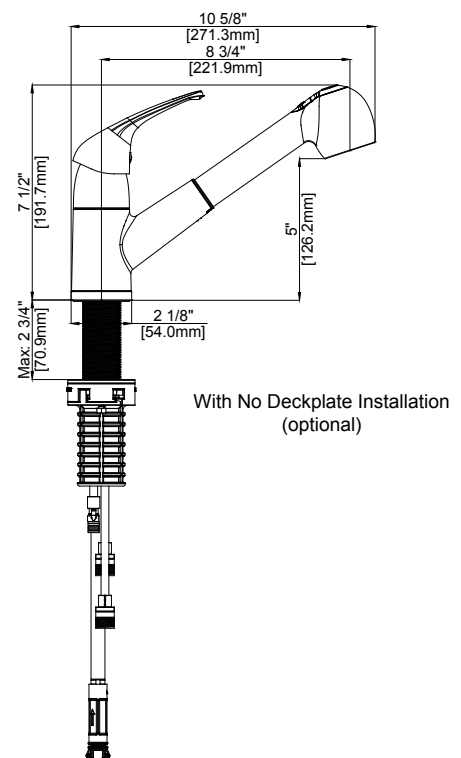
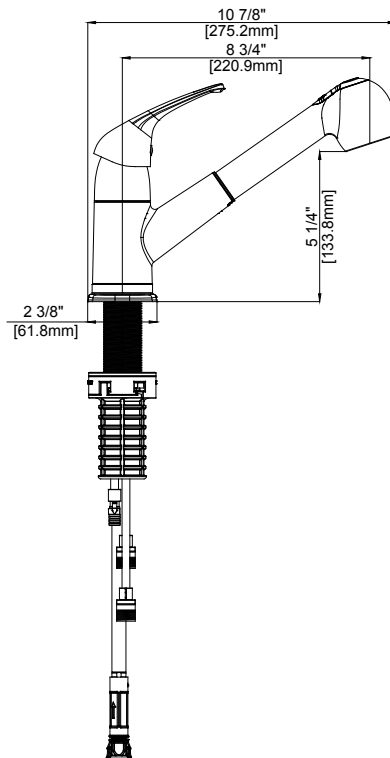
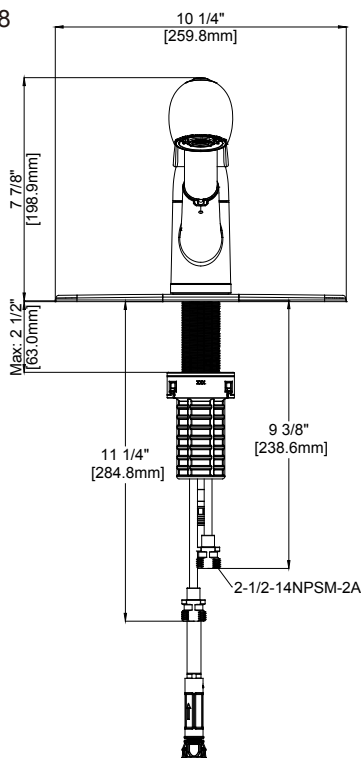
Manufacturer's Warranty

- Limited Lifetime

Similar Products

Part #: 211799
USN #: 320467918

Chrome

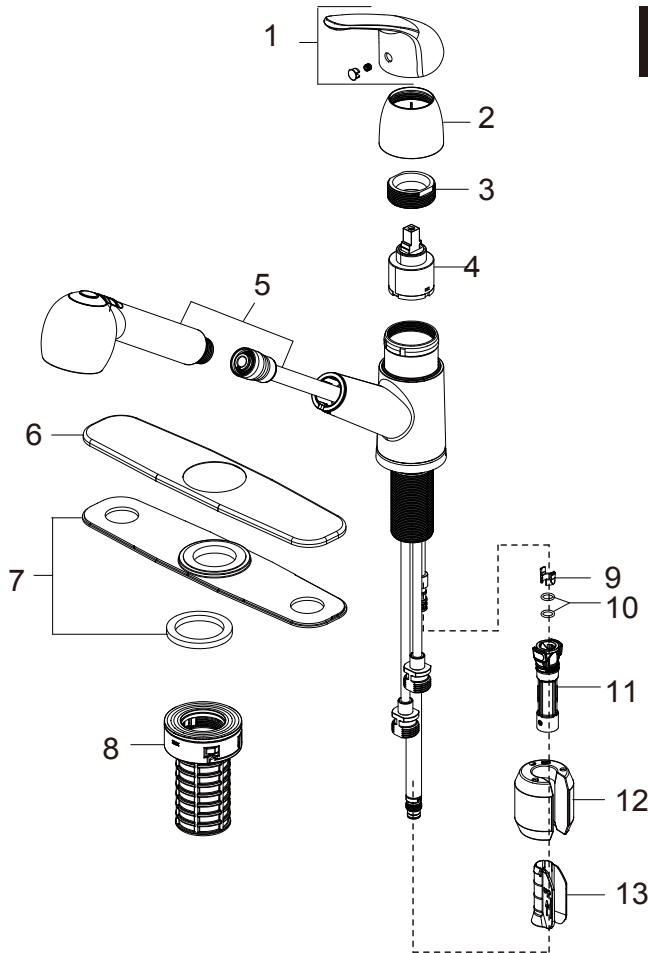




seasons®

Raleigh™ Single Handle Kitchen Faucet, Pull Out Spray, With Deckplate, Stainless Steel, 1.8GPM

Replacement Parts / Repuestos



Part Pieza	Description Descripción	Part # Pieza #	USN # USN #
1	Handle Assembly / Ensamblaje de la Llave	186892	
2	Cap / Tapa	186930	
3	Bonnet Nut / Tuerca del Bonete	186895	
4	Cartridge / Cartucho	186870	322096670
5	Spray Head and Hose / Cabezal Rociador y Manguera	186883	322096819
6	Deckplate / Placa de la Cubierta	186894	
7	Gasket / Junta	186851	
8	Quick Install Nut / Tuerca de Instalación Rápida	158759	322096831
9	Block / Bloque	158753	322096830
10	O-Ring / Aro Tórico	158791	322096817
11	Quick Connect Assembly / Ensamblaje del Conector Rápido	158772	322096433
12	Weight / Peso	186885	
13	Weight Clip / Sujetador Con Peso	158769	