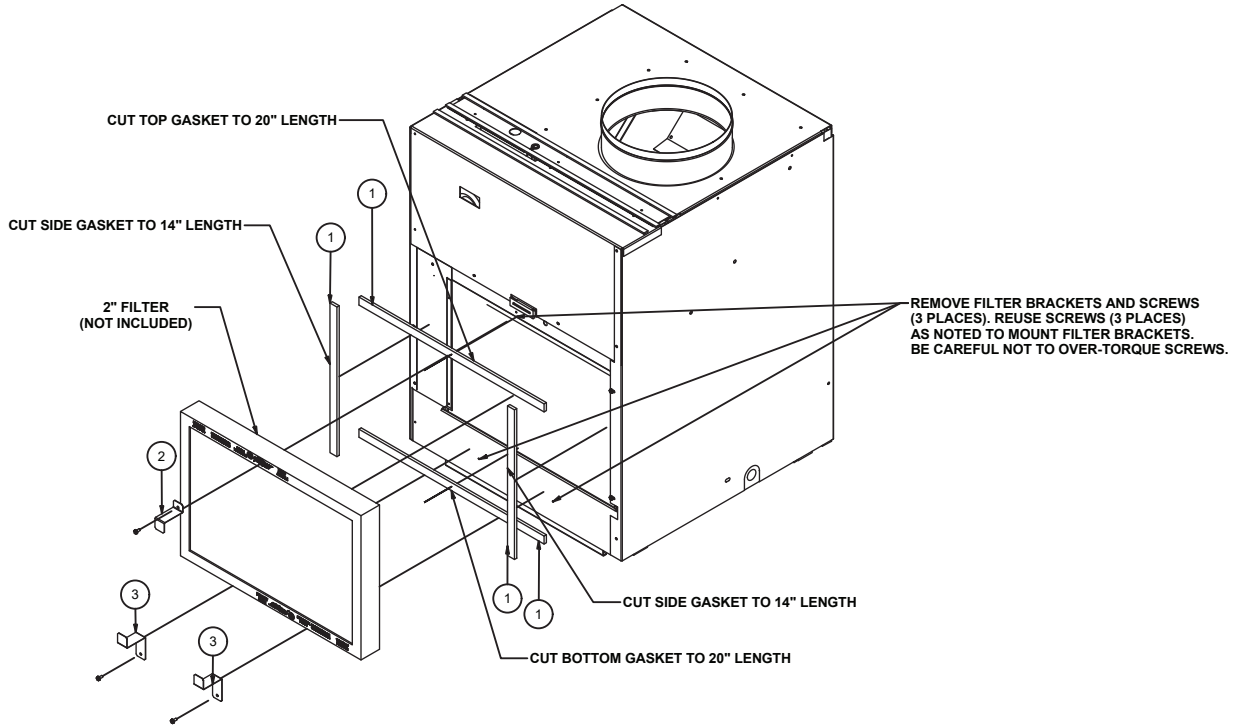


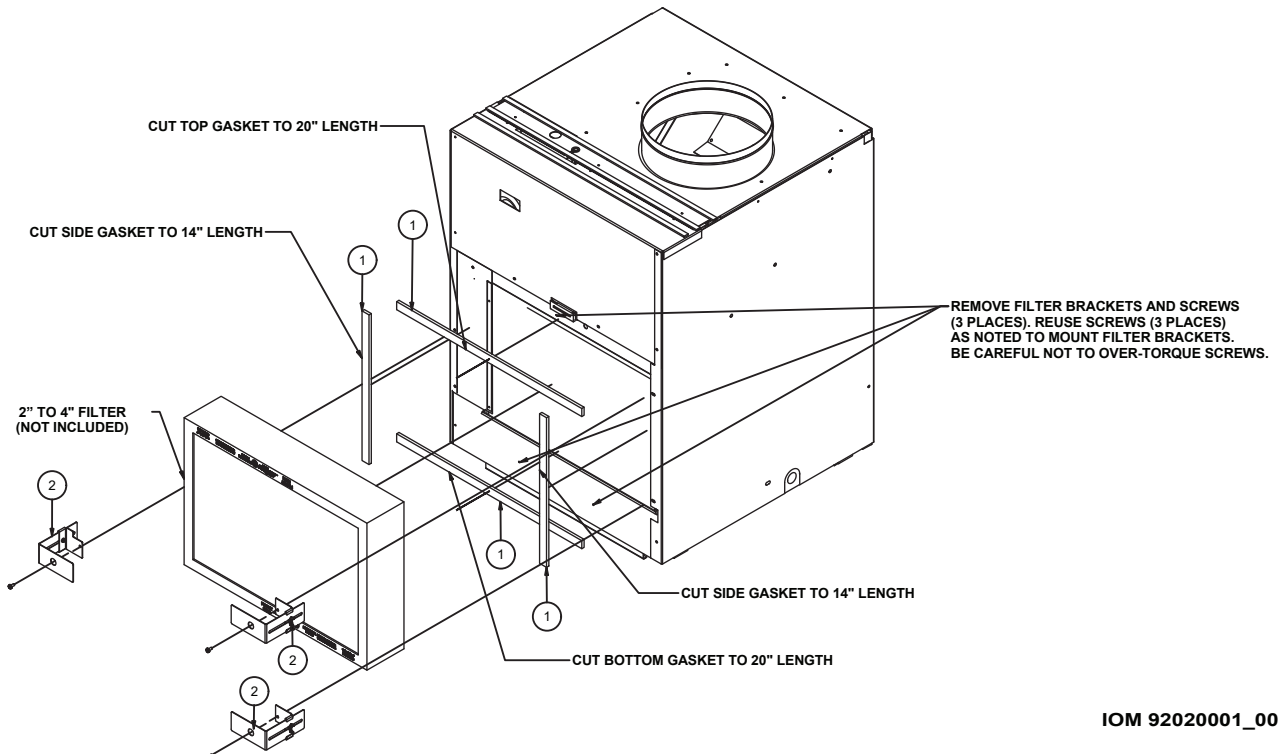
# VPAK09 & VPAK12 2" FILTER INSTALLATION (VPAK0912-2)

KIT CONTENTS		
ITEM	DESCRIPTION	QTY
1	GASKET, FILTER, ADHESIVE BACKED, 0.25 X 0.75 X 100"	1
2	FILTER BRACKET VPAK SML 2"	1
3	FILTER BRACKET BOTTOM VPAK SML 2"	2



# VPAK09 & VPAK12 2" TO 4" FILTER INSTALLATION (VPAK0912U)

KIT CONTENTS		
ITEM	DESCRIPTION	QTY
1	GASKET, FILTER, ADHESIVE BACKED, 0.25 X 0.75 X 100"	1
2	ASSY UNIVERSAL FILTER BRACKET VPAK	3

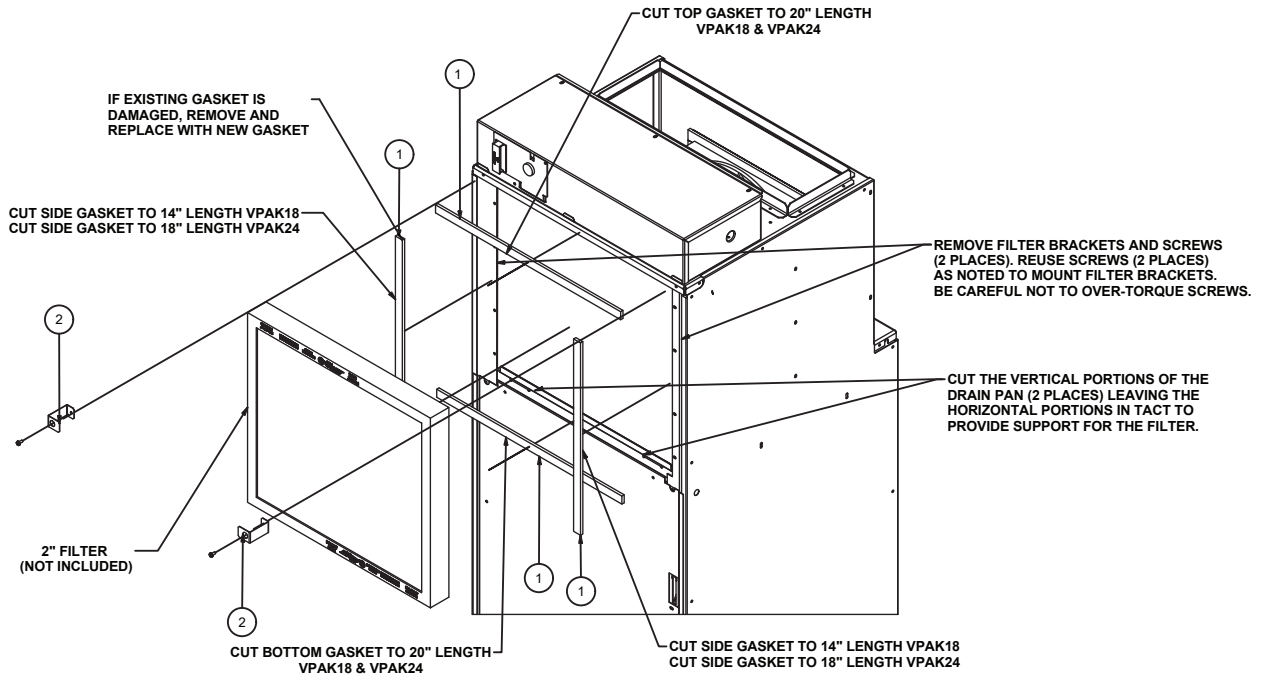


# VPAK18 & VPAK24

## 2" FILTER INSTALLATION

### (VPFK1824-2)

KIT CONTENTS		
ITEM	DESCRIPTION	QTY
1	GASKET, FILTER, ADHESIVE BACKED, 0.25 X 0.75 X 100"	1
2	FILTER BRACKET VPAK LRG 2"	2



# VPAK18 & VPAK24

## 2" TO 4" FILTER INSTALLATION

### (VPFK1824U)

KIT CONTENTS		
ITEM	DESCRIPTION	QTY
1	GASKET, FILTER, ADHESIVE BACKED, 0.25 X 0.75 X 100"	1
2	ASSY UNIVERSAL FILTER BRACKET VPAK	2

