

## CABINET INSTALLATION

Select hardware that is best suited for your wall type

### INSTALACIÓN DEL GABINETE

Selecciona los herrajes que mejor se adapten a tu tipo de pared

**a STUDS:** Secure to wall with #10 x 3" screws at stud location.

**VIGAS:** Fíjalas a la pared con tornillos núm.10 x 3 plg (7.62 cm) en la ubicación de las vigas.

**b DRYWALL:** Drill holes and secure to the wall with toggle bolts. Note: Use toggle bolts only when cabinet cannot be attached to a wall stud. Cabinet must also be attached to adjacent cabinet as outlined in Step 3.

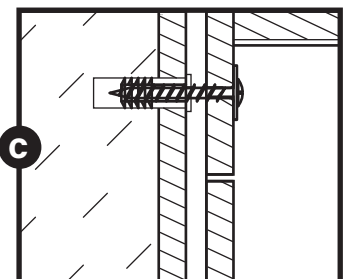
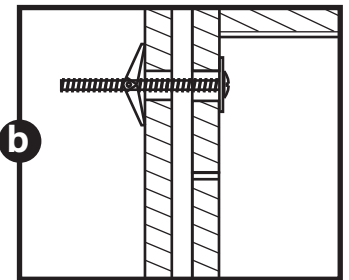
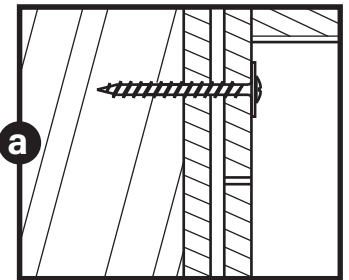
**DRYWALL:** Taladra orificios y asegura a la pared con pernos acodados. Nota: Usa pernos acodados sólo si el gabinete no se puede fijar a la viga de pared. El gabinete también debe asegurarse a otro gabinete adyacente, como lo indica el Paso 3.

**c CONCRETE:** Drill ¼" holes, insert #10 wall anchors and secure to wall with #10 x 3" screws.

**CONCRETO:** Taladra orificios de 1/4 plg 0.63 cm, inserta anclajes de pared Núm. 10 y fija a la pared con tornillos Núm. 10 x 3 plg (7.62 cm)

**Important:** Use "pan head" or "round head" screws with seat washers. Seat screws tightly against back rail or panel without driving into back rail or panel material.

**Importante :** usa tornillos de "cabeza plana biselada" o "cabeza redonda" con arandelas de asiento. Coloca los tornillos firmemente contra el panel o el riel trasero sin insertarlos en el panel o el riel



## 1 STARTING IN A CORNER

Always start in a corner where two runs of cabinets will come together or at the end of the cabinet run (if there is no corner.) All doors and drawers will need to be removed prior to installation. Locate and mark wall studs for mounting hardware placement. Cabinets must be mounted to studs where available. Place the cabinet into position, use a level and shims (if needed) to ensure cabinet is level and plumb. IMPORTANT: Shim cabinets square (flat) to the wall so there are no gaps between back of cabinet and wall in the mounting area. Drill a 3/16" pilot hole at the stud locations through the back panel and into the stud. Make sure to position screws 1" or more from the top, bottom and sides. Mount the cabinet to the wall with hardware appropriate for your wall type. Once your corner cabinets have been installed, work outward to install the remaining cabinets.

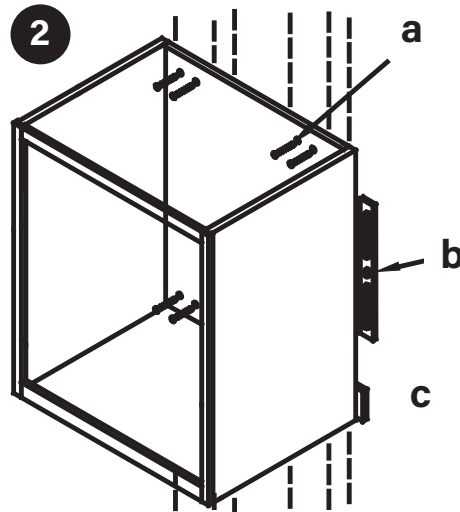
### EMPEZANDO EN UNA ESQUINA

Siempre empezar por la esquina donde se unen dos hileras de gabinetes. Durante la instalación es necesario quitar todas las puertas para alinear correctamente todos los gabinetes al unirlos. Localizar y marcar las vigas de pared elegidas para instalar los gabinetes. Colocar el gabinete de la esquina en ese lugar. Usa el nivel para garantizar que el gabinete quede nivelado y derecho. Si es necesario usa cuñas para nivelar. IMPORTANTE: Usa cuñas en los gabinetes para que queden a escuadra (pegados) con la pared sin dejar espacios entre el fondo del gabinete y la pared en el área de montaje. Taladra un orificio piloto de 4,76 mm donde está la viga, a través del panel trasero y dentro de la misma. Asegúrese de colocar los tornillos a 2.54 cm o más de la parte superior,

inferior y laterales. Asegúrese de colocar los tornillos a 2.54 cm o más de la parte superior, inferior y laterales. Monta el gabinete en la pared con el herraje correcto según el tipo de pared. Después de instalar los gabinetes de la esquina, prosigue con los demás.

## 2 ATTACH CABINETS TOGETHER

After the corner cabinet is secured to the wall, use c-clamps to align the next cabinet to the first cabinet. Use a level to be sure the adjoining cabinets are flush and level with each other. If needed, shim the cabinets to level. Drill a 1/8" pilot hole in the face frame above or below each door hinge location. Attach the second cabinet to the first cabinet using a #8 x 2 1/2" screw and countersink for best appearance. Always attach cabinets together at the face frame as shown. Do not attach through the cabinet side panel. **ATTENTION:** You must drill pilot holes to attach cabinets together. Cabinet drawers and doors should line up as shown below.



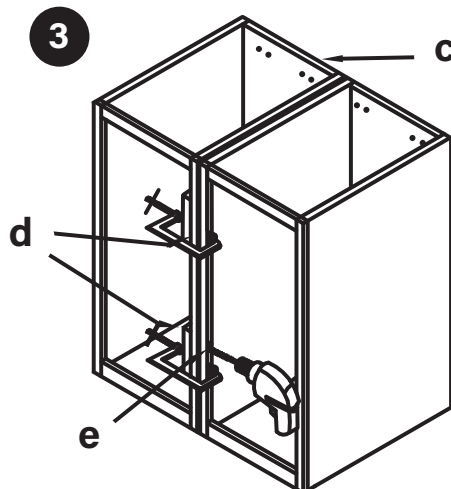
- a** Mounting hardware  
Herrajes de Montaje
- b** Check to level & ensure square flat to wall  
Verifica la nivelación y que quede pegado contra la pared a escuadra
- c** Shim if necessary, installation shims are not included  
Usa cuñas si es necesario. Cuñas de instalación (No Incluidas)

## UNIR LOS GABINETES

Después de fijar el gabinete de la esquina a la pared, usa abrazaderas en "C" para alinear el gabinete siguiente al primero. Usa un nivel para garantizar que los gabinetes contiguos queden a ras y a nivel entre sí. Si es necesario, usa cuñas para nivelar. Taladra un orificio piloto de 1/8" en el marco frontal arriba y debajo del lugar donde irán las bisagras de las puertas. Sujeta el segundo gabinete al primero con un tornillo núm. 8 de 2 1/2 plg (6.35 cm) e instala al ras para darle un mejor aspecto. Siempre une los gabinetes por el marco frontal como se muestra. Nunca fijas los gabinetes por el panel lateral. **ATENCIÓN:** Debes taladrar orificios piloto para unir los gabinetes.

## 3 INSTALL REMAINING CABINETS

Drill a 3/16" pilot hole at the stud locations through the back panel and into the stud. Level and mount the cabinet to the wall with hardware appropriate for your wall type. If needed, shim the cabinet to level. **DO NOT COMPLETELY TIGHTEN MOUNTING SCREWS UNTIL ALL CABINETS HAVE BEEN ATTACHED TOGETHER.** After all cabinets have been attached together and are level and secure, then tighten all mounting screws. Take care to seat mounting screws tightly against back panel without driving into back panel material. Check to be sure that



- a** Mounting hardware  
Herrajes de Montaje
- b** Check to level & ensure square flat to wall  
Verifica la nivelación y que quede pegado contra la pared a escuadra.
- c** Shim if necessary, installation shims are not included  
Usa cuñas si es necesario. Cuñas de instalación (No Incluidas)
- d** Scrap Block  
Bloque de Recorte
- e** 1/8" Diameter  
1/8 PLG (3.18 MM) DE DIÁM.

all cabinets remain level after tightening. **NOTE:** To attach a wall cabinet to a TALL PANTRY unit, drill a 1/8" pilot hole 7/8" deep through the wall cabinet face frame to the tall pantry unit. Use a #8 x 1-5/8" screw to secure cabinets together. After cabinets are installed it will be necessary to adjust doors and drawers for proper alignment.

### INSTALAR EL RESTO DE LOS GABINETES

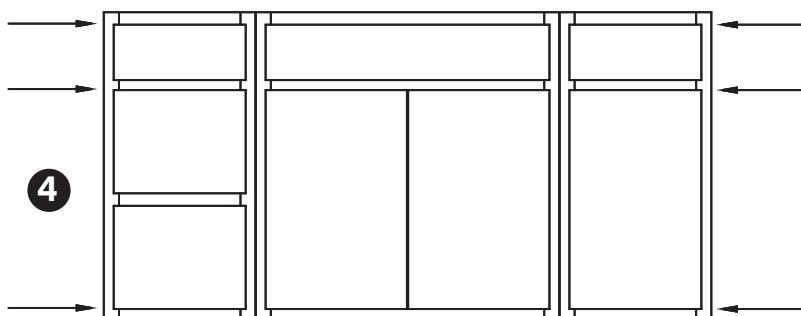
Taladra un orificio piloto de 3/16 plg donde está la viga, a través del panel trasero y dentro de la misma. Level and mount the cabinet to the wall with hardware appropriate for your wall type. If needed, shim the cabinet to level. **NO APRIETES POR COMPLETO LOS TORNILLOS DE MONTAJE HASTA QUE LOS GABINETES ESTÉN UNIDOS.** Aprieta todos los tornillos de montaje después que todos los gabinetes hayan sido unidos firmemente y estén a nivel. Asegúrate de que los tonillos de montaje descansen firmemente contra el posterior panel sin que perforen el material de estos. Verifica que todos los gabinetes queden a nivel después de apretados los tornillos. **NOTA:** Para fijar un gabinete de pared a una DESPENSA ALTA, taladra un orificio piloto de 1/8 plg con una profundidad de 7/8 plg a través del marco frontal del gabinete de pared a la despensa alta. Usa un tornillo núm. 8 x 1-5/8 plg para fijar los gabinetes.

### 4 DOOR AND DRAWER ALIGNMENT

After cabinets are installed it will be necessary to adjust doors and drawers for proper alignment.

#### ALINEACIÓN DE PUERTA Y CAJÓN

Después de que los gabinetes estén instalados, será necesario ajustar las puertas y los cajones para una alineación adecuada.



### FINISHING UNFINISHED CABINETS

#### CÓMO DAR ACABADO A GABINETES SIN ACABADO

Fill screw holes made in the face frame stiles with wood putty. Sand the cabinets and prep for stain. Use a tack cloth to thoroughly wipe the surface and remove any excess dust. A surface that is improperly prepared will not stain correctly. Stain or paint your cabinets according to the finish manufacturer's recommended instructions.

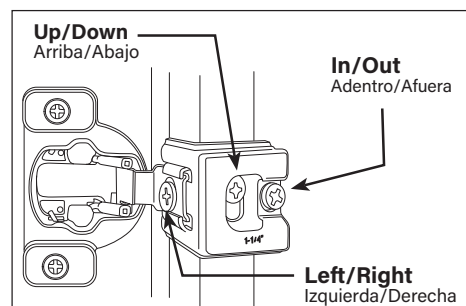
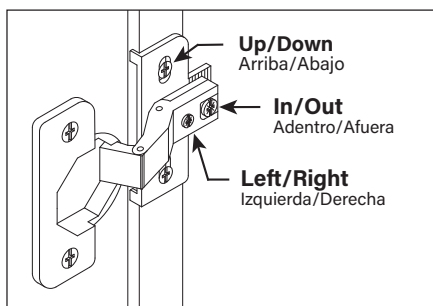
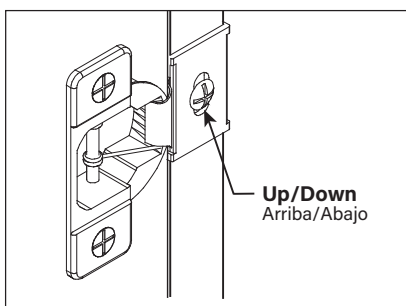
Rellena con masilla para madera los orificios de tornillos hechos en los travesaños del marco. Lija los gabinetes y prepáralos para el tinte. Usa un paño adherente para limpiar bien la superficie y remover cualquier exceso de polvo. Una superficie que no se prepare adecuadamente no absorberá el tinte correctamente. Tiñe o pinta tus gabinetes según las instrucciones recomendadas por el fabricante para el acabado.

### 5 HINGE ADJUSTMENT

#### AJUSTE DE LA BISAGRA

Review the illustrations to locate the hinge on your specific cabinet.

Revise las ilustraciones para ubicar la bisagra en su gabinete específico.



**⚠ Important health notice:** Some of the building materials used in this home (or these building materials) emit formaldehyde. Eye, nose, and throat irritation, headache, nausea and a variety of asthma-like symptoms, including shortness of breath, have been reported as a result of formaldehyde exposure. Elderly persons and young children, as well as anyone with a history of asthma, allergies, or lung problems, may be at greater risk. Research is continuing on the possible long-term effects of exposure to formaldehyde. Reduced ventilation may allow formaldehyde and other contaminants to accumulate in the indoor air. High indoor temperatures and humidity raise formaldehyde levels. When a home is to be located in areas subject to extreme summer temperatures, an air-conditioning system can be used to control indoor temperature levels. Other means of controlled mechanical ventilation can be used to reduce levels of formaldehyde and other indoor air contaminants. If you have any questions regarding the health effects of formaldehyde, consult your doctor or local health department.

**WARNING:** This product can expose you to chemicals including formaldehyde which is known to the State of California to cause cancer,

and methanol, which is known to the State of California to cause birth defects or other reproductive harm. For more information go to [www.P65Warnings.ca.gov](http://www.P65Warnings.ca.gov)

**⚠ AVISO IMPORTANTE PARA LA SALUD:** Algunos materiales de construcción usados en esta vivienda (o estos materiales de construcción) emiten formaldehído. La irritación en ojos, nariz y garganta; los dolores de cabeza, náusea y otros síntomas parecidos al asma, como la falta de aire, han sido identificados como consecuencias de la exposición al formaldehído. Los ancianos y los niños pequeños, así como quienquiera con historial de asma, alergias o problemas pulmonares, pueden correr mayor riesgo. Continúan las investigaciones sobre los posibles efectos a largo plazo por exposición al formaldehído.

La poca ventilación pudiera causar acumulación del formaldehído u otros contaminantes del aire en interiores. Las altas temperaturas y humedad en interiores incrementan los niveles de formaldehído. Para viviendas en zonas de temperaturas extremas durante el verano puede usarse un sistema de aire acondicionado a fin de controlar los niveles de temperatura en interiores. Otros medios de ventilación mecánica controlada pueden usarse para reducir los niveles de formaldehído y otros contaminantes del aire en interiores. En caso de pregunta o duda con respecto a los efectos del formaldehído en la salud, consultar al médico o llamar al departamento de salud local.

**ADVERTENCIA:** Este producto puede exponerte a sustancias químicas incluyendo formaldehído, que se considera en el estado de California como causante de cáncer, y metanol, que se considera en el estado de California como causante enfermedades congénitas y otros daños al sistema reproductor. Para más información, visite [www.P65Warnings.ca.gov](http://www.P65Warnings.ca.gov)

\*The fastening solutions described here are recommendations only, and are based on commonly used installations. Each installer must evaluate the specific characteristics of the particular wall on which the cabinets are to be installed to ensure the proper fastening solution is used and the product is fastened safely and securely. This may require hardware or fastening methods which are different from, or additional to, what is described here. AWC DOES NOT WARRANT THE INSTALLATION OF THIS PRODUCT.

\*Las soluciones de sujeción aquí descritas son sólo recomendaciones y se basan en las instalaciones más comúnmente utilizadas. Cada instalador tiene que evaluar las características específicas de la pared en que se instalarán los gabinetes para garantizar que la solución de sujeción sea apropiada y que el producto quede sujeto segura y firmemente. Ello podría requerir herrajes o métodos de sujeción diferentes o adicionales a los descritos aquí. AWC NO GARANTIZA LA INSTALACIÓN DE ESTE PRODUCTO.



Do you have a **question** about this product? Do you have damaged or missing parts or need installation advice? **DO NOT RETURN** the product to the store. We're here to help.

¿Tiene alguna **pregunta** sobre este producto? ¿Tiene piezas dañadas o faltantes o necesitas algún consejo para la instalación? **NO DEVUELVAS** el producto a la tienda. Estamos aquí para ayudarte.

Call us at/Llamenos al:  
**1-888-578-4009**

Email us at/Envíanos un email a:  
**HOMEPRODUCTS\_CC@WOODMARK.COM**  
from Mon-Fri EST/de Lunes a Viernes Hora del  
Este: **8AM-7PM EST**



Reviews are important to us. If you are happy with this product, please leave us a 5-star review.

Las reseñas son importantes para nosotros. Si estás satisfecho con este producto, por favor, déjanos una reseña de 5 estrellas.

## AMERICAN WOODMARK CORPORATION LIMITED WARRANTY

This warranty covers defects in materials and workmanship in your Hampton Bay Kitchen products under normal home use. This warranty is offered only to the original residential consumer purchaser ("the Consumer") and may not be transferred.

**What This Warranty Covers:** American Woodmark Corporation ("AWC"), the manufacturer of these Hampton Bay products, warrants its parts and products to be free of defects in materials and workmanship from the original date of purchase under normal home use. This warranty is offered to the original residential consumer purchaser only and may not be transferred.

**How Long The Warranty Lasts:** The coverage of this warranty lasts for the lifetime of the original purchaser, so long as he or she owns the home in which the product was first installed. Coverage for unfinished kitchen cabinets lasts 1 year.

**Warrantor:** American Woodmark Corporation, 561 Shady Elm Road, Winchester, VA 22602 (800) 230-5661 HamptonBayKitchens.com

**What American Woodmark Will Do Under The Warranty:** During the warranty period, AWC, at its option, will repair or replace any part or product that proves to have substantial defects in materials or workmanship, or AWC will provide an equivalent replacement product, at no cost to the Consumer. AWC reserves the right to change specifications in design and materials without notice and with no obligation to retrofit products we previously manufactured.

**Duties of the Consumer:** If you purchased Hampton Bay cabinetry and need a replacement part or would like to file a warranty claim, IMMEDIATELY NOTIFY AWC BY E-MAIL (Homeproducts\_CC@woodmark.com) OR TELEPHONE (888-578-2009) OF THE ISSUE. You must provide a copy of the original sales receipt from your purchase.

**Hand Carving, Wood, Aging And Printing Limitations:** Because of the varying natural characteristics of wood and the effects of aging, product shown in displays and/or printed materials will not be an exact match to new cabinetry you will receive. Depending on the wood characteristics, the age of a sample and the environment of the showroom, samples will show some degree of variation from new product. In addition, you should not expect all doors, drawer fronts, trim or molding to match exactly in either finish or grain. Variation in wood is normal and unavoidable. In addition, it is not possible to match our colors exactly in printed materials. Therefore, you should view the actual samples when making your color selection. Slight variation in size and design is also characteristic of individually hand-carved items. This variation can occur from carving to carving, which only adds to their uniqueness and beauty.

**Limitations and Exclusions:** This warranty does not cover defects or damage which result from commercial use, improper transportation, improper installation, use of unauthorized parts, mishandling, misuse, abuse, neglect, abnormal use, improper maintenance, non-AWC repairs, accidents, impact, or acts of God, such as hurricanes, fire, earthquakes or floods, normal wear and tear, alterations, environmental conditions, humidity absorption, or mold. This warranty, and any applicable implied warranties, does not cover incidental or consequential damages arising from any defects in the product, such as labor charges for installation or removal of the product or any associated products. In addition, variations in hand carved items, wood grain, finish color, aging or other natural wood and stain characteristics are not considered defects and are not covered by this warranty.

**Disclaimers and Rights:** AWC disclaims any implied warranty of merchantability, and there are no express warranties other than those set forth herein. ANY WARRANTY IMPLIED BY STATE LAW (WHETHER OF MERCHANTABILITY OR FITNESS FOR A PARTICULAR USE OR OTHERWISE) SHALL BE EFFECTIVE FOR ANY PRODUCT ONLY FOR THE DURATION OF THE APPLICABLE LIMITED WARRANTY PERIOD LISTED ABOVE. SOME STATES DO NOT ALLOW THE EXCLUSION OR LIMITATION OF INCIDENTAL OR CONSEQUENTIAL DAMAGES, SO THE ABOVE LIMITATION OR EXCLUSION MAY NOT APPLY TO YOU. THIS WARRANTY GIVES YOU SPECIFIC LEGAL RIGHTS, AND YOU MAY ALSO HAVE OTHER RIGHTS THAT VARY FROM STATE TO STATE.

**How to Obtain Warranty Service:** If you need replacement parts or would like to make a warranty claim, please contact our Customer Care Representative by mail, email, fax or telephone at the address or phone numbers listed on this page. All warranty claims must include the model number of the product, copy of the original receipt and the nature of the problem. In addition, AWC may at its discretion require inspection of the installation site or authorize the prepaid return of the claimed defective part. Merchandise not preapproved for return will not be accepted and the associated claim not accepted.

**Products should be examined for defects prior to installation. This warranty also does not cover labor charges for installation or removal of the product or any associated products. If upon**

**inspection you find our product has a damaged or missing part, it may not be necessary to return the unit to the store of purchase. Please contact AWC customer care to possibly obtain a replacement part.**

## GARANTÍA LIMITADA DE AMERICAN WOODMARK CORPORATION

Esta garantía cubre defectos en materiales y mano de obra en sus productos de cocina Hampton Bay bajo uso doméstico normal. Esta garantía se ofrece únicamente al comprador consumidor residencial original ("el Consumidor") y no puede transferirse.

**Qué Cubre la Garantía:** American Woodmark Corporation ("AWC"), el fabricante de estos productos de Hampton Bay, garantiza que sus piezas y productos están libres de defectos en materiales y mano de obra desde la fecha original de compra bajo uso doméstico normal. Esta garantía se ofrece únicamente al comprador consumidor residencial original y no puede transferirse.

**Cuánto Dura la Garantía:** La cobertura de esta garantía dura toda la vida del comprador original, siempre que sea propietario de la vivienda en la que se instaló el producto por primera vez. La cobertura para gabinetes de cocina sin acabado es de 1 año.

**Garante:** Qué hará American Woodmark bajo la garantía: Durante el período de garantía, AWC, a su opción, reparará o reemplazará cualquier pieza o producto que demuestre tener defectos sustanciales en materiales o mano de obra, o AWC proporcionará un producto de reemplazo equivalente, sin costo para el consumidor. AWC se reserva el derecho de cambiar las especificaciones de diseño y materiales sin previo aviso y sin ninguna obligación de renovar los productos fabricados previamente.

**Deberes del Consumidor:** Si compró gabinetes de Hampton Bay y necesita una pieza de repuesto o desea presentar un reclamo de garantía, NOTIFIQUE INMEDIATAMENTE A AWC POR CORREO ELECTRÓNICO (Homeproducts\_CC@woodmark.com) O POR TELÉFONO (888-578-2009) DEL PROBLEMA. Debe proporcionar una copia del recibo de venta original de su compra.

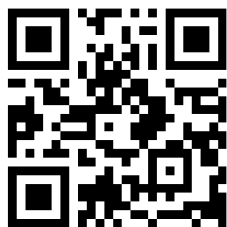
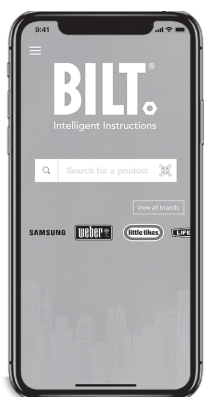
**Limitaciones de talla a mano, madera, envejecimiento e impresión:** Debido a las características variables naturales de la madera y a los efectos del envejecimiento, el producto mostrado en la exhibición y/o en los materiales impresos puede no coincidir exactamente con los gabinetes nuevos que usted recibirá. Dependiendo de las características de la madera, la edad de la muestra y las condiciones ambientales de la sala de exhibición, las muestras variarán en cierto grado, del producto nuevo. Además, usted no deberá esperar que todas las puertas, caras de los cajones, acabados o molduras tengan acabados o vetas idénticos. La variación de la madera es normal e inevitable. Además, es imposible reproducir exactamente nuestros colores en el material impreso. Por consiguiente, usted debe ver las muestras reales al elegir su color. Una ligera variación en tamaño y diseño también es característica de los artículos tallados a mano individualmente. Esta variación puede suceder en cada talla, lo que solo le añade singularidad y belleza.

**Limitaciones y Exclusiones:** Esta garantía no cubre defectos o daños que resulten del uso comercial, transporte inadecuado, instalación incorrecta, uso de piezas no autorizadas, mal manejo, mal uso, abuso, negligencia, uso anormal, mantenimiento inadecuado, reparaciones que no sean de AWC, accidentes, impactos o actos de Dios, como huracanes, incendios, terremotos o inundaciones, desgaste normal, alteraciones, condiciones ambientales, absorción de humedad o moho. Esta garantía y cualquier otra garantía implícita correspondiente, no cubre daños incidentales o secundarios resultado de cualquier defecto en el producto, tales como cargos por mano de obra por la instalación o retiro del producto o de cualquier producto relacionado. Además, en los artículos tallados a mano, las variaciones en la veta de la madera, el color del acabado, el envejecimiento u otras características de la madera o el tinte no se considerarán defectos y no están cubiertos por esta garantía.

**Exenciones de Responsabilidad y Derechos:** AWC renuncia a cualquier garantía implícita de comerciabilidad y no existen garantías expresas distintas de las aquí establecidas. CUALQUIER GARANTÍA IMPLÍCITA POR LA LEY ESTATAL (YA SEA DE COMERCIABILIDAD O APTITUD PARA UN USO PARTICULAR O DE OTRA MANERA) SERÁ EFECTIVA PARA CUALQUIER PRODUCTO SOLAMENTE DURANTE LA DURACIÓN DEL PERÍODO DE GARANTÍA LIMITADA APLICABLE INDICADO ARRIBA. ALGUNOS ESTADOS NO PERMITEN LA EXCEPCIÓN O LIMITACIÓN DE DAÑOS DIRECTOS O INDIRECTOS, POR TANTO LA EXCEPCIÓN O LIMITACIÓN ANTERIOR PUEDE NO SER APLICABLE EN SU CASO. ESTA GARANTÍA LE OTORGA DERECHOS LEGALES ESPECÍFICOS Y ES POSIBLE QUE TAMBIÉN GOCE DE OTROS DERECHOS QUE VARIAN DE UN ESTADO A OTRO.

**Cómo Recibir Servicio de Garantía:** Si necesita piezas de reemplazo o le gustaría hacer una reclamación de garantía, por favor, contacte a nuestro Representante de Atención al Cliente por correo electrónico, fax o teléfono, por medio de la dirección o el número de teléfono provistos en esta página. Todas las reclamaciones de garantía deben incluir el número de modelo del producto, copia del recibo original y la naturaleza del problema. Además AWC podrá, a su discreción, requerir una inspección del sitio de la instalación o autorizar la devolución prepagada de la pieza defectuosa por la cual se hace la reclamación. No se aceptará ninguna mercancía cuya devolución no haya sido previamente aprobada ni ninguna reclamación relacionada con tal mercancía.

**Antes de la instalación, los productos deben examinarse en busca de defectos. Esta garantía tampoco cubre los cargos por mano de obra relacionados con la instalación o retiro del producto o productos relacionados. Si al inspeccionar el producto usted encuentra que falta una pieza o que alguna de ellas está dañada, puede que no sea necesario devolver la unidad a la tienda donde la compró. Por favor, contacte a atención al cliente de AWC para determinar la posibilidad de obtener una pieza de reemplazo.**



We have partnered with **BILT™** to provide 3D interactive instructions for this product. Download the free BILT™ app to a mobile device and search "Woodmark"

Nos hemos asociado con **BILT** para proporcionar instrucciones interactivas en 3D para este producto. Descargue la aplicación gratuita BILT en un dispositivo móvil y busque "Woodmark"