

⚠️ WARNING Read Installation Guide thoroughly before use and follow all safety precautions and warnings. Improper installation can cause serious injury. Use proper Personal Protective Equipment (PPE) including ANSI Z87.1 safety goggles and work gloves with slip resistant coating.

⚠️ DANGER To reduce the risk of serious or fatal injury from fire, explosion, or electrocution, if gas line or electrical work is involved, have the work done by a utility company or qualified service professional. To reduce the risk of shock, explosion, or injury, turn off all gas, electrical and water connections prior to performing any work. Shut off the power to all appliances and receptables in the kitchen, including lights, at the fuse-breaker box. Use a circuit tester to make sure power is off.

⚠️ WARNING To reduce risk of serious injury from fall hazard, always use two or more people for installation. Never attempt installation without assistance.

Preparation | Before You Begin

- 1** Verify you have the correct cabinet sizes and finish. Open and inspect all cabinets prior to installation as damage can occasionally occur during shipment from the factory.
- 2** Once you have ensured that the gas, water and electric in the room are turned off, that the plumbing, gas and power supplies are properly capped, and have removed the old cabinetry and baseboards, you need to assess the room.

3 Take special note of the floors and walls. Use a level or straightedge to determine high spots and other imperfections. Mark any bumpy or bulging areas. You may have to prep the walls and floors if things are not plumb, level and square. (Many people prefer to repaint and replace the flooring while the room is empty.) The time you spend preparing the room will help ensure smoother, easier installation of the cabinetry.

⚠️ WARNING Failure to use proper screws and screw placement to attach cabinets to the wall may result in serious injury from collapse/fall hazard. Only use screws listed in this Guide for installations with drywall or wood stud construction. Never use these screws for installation with concrete, brick, or other material.

⚠️ WARNING To reduce risk of serious injury from collapse/fall hazard, if installing cabinetry with material other than drywall or wood stud construction, always consult an installation professional to identify and obtain proper fasteners.

Prepare the Walls and Floors

- 1** Locate and mark all the studs using a stud finder. (To verify the position of your studs, drive a small finishing nail into the wall in an area that will be covered up by a cabinet.)
- 2** Recheck your measurements. Make sure the cabinets match the available space.
- 3** Gather the tools you will need as listed below.

Suggested Tool and Material List

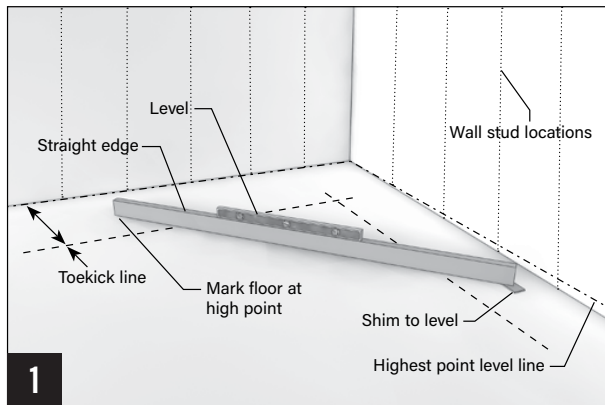
- ANSI Z87.1 rated safety goggles
- Framing square
- Hammer
- Pry bar
- Phillips and Flathead screwdrivers
- Level
- Tape measure
- Pencil
- Straight edge
- Drill
- Properly rated extension cord
- 7/32" drill bit for pre-drilling the back panel
- 3/32" drill bits for frame & filler attachment pilot holes

- Work gloves with slip resistant coating
- Jigsaw or table saw
- Miter box
- Clamps or c-clamps
- Stud finder
- 6' step ladder
- Wood shims
- Pin nailer
- Small finish nails
- 1 x 2 or 1 x 3 furring strips
- Scrap lumber (for 55" propping stick or t-brace)
- Circuit tester
- #10 x 2 1/2" Washer Head screws (for wall attachment to stud)
- #8 x 2 1/2" Trim Head screws (for frame attachment)

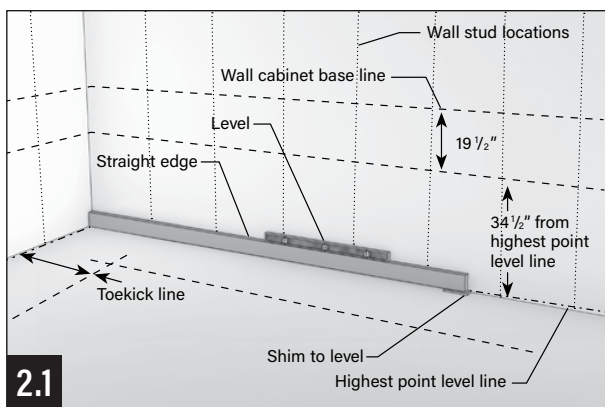
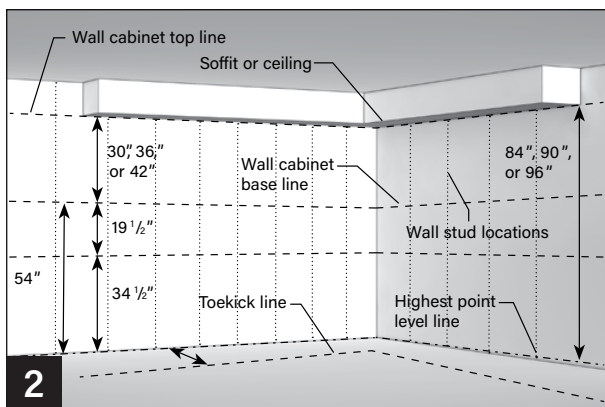
Step 1: Measurement

In order for cabinets to function properly, they must be installed level, plumb and flush with each other.

1.1 First, locate the floor's highest point. In order to do this, place your level at the base of the wall, checking several places along the wall until you find the high point in the floor. Mark this spot. (Figure 1)



1.2 Measure up from the high point $34\frac{1}{2}$ " and draw a level line across the wall to establish the top of the base cabinets. If installing cabinets before your flooring, be sure to allow for the thickness of the material you plan to use. (Figure 2)

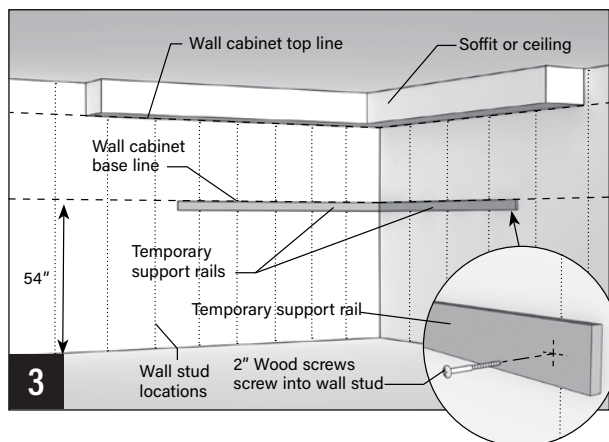


1.3 Then measure up from there another $19\frac{1}{2}$ ". This will be the baseline for the wall cabinets. (When you are finished, the wall cabinets will sit at 54" above the high spot in the floor).

1.4 Now measure up from the wall cabinet base line the same distance as the height of your cabinets (30", 36" or 42"). This will be the top line for the wall cabinets. All non-standard height wall cabinets need to line up with this top line as well. (Figure 2.1).

NOTICE: If you have a low ceiling or soffit, confirm that the wall cabinets will fit properly between your level line and the top.

1.5 Using the 1 x 2 or 1 x 3 furring strips, screw a support rail into the studs with 2" wood screws below the baseline you have drawn for the wall cabinets. This will help support the weight of the wall cabinets and give you something to rest the cabinets on when installing them. Make sure your support rail (sometimes called a cleat or ledger board) is level. (Figure 3).



1.6 You are now ready to join the wall cabinets.

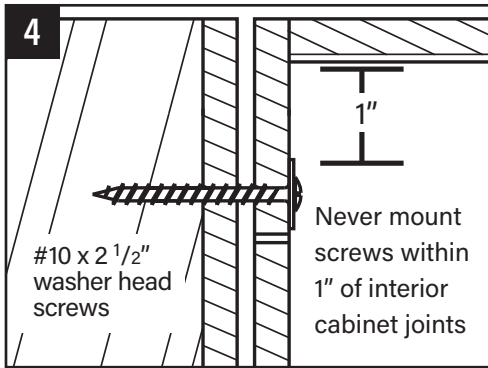
Step 2: Mounting Wall Cabinets

Studs: Secure cabinet to wall with #10 x $2\frac{1}{2}$ " washer head screws through the back panel at stud location in at least 4 places.

IMPORTANT: Use "washer head" or "round head" screws with seat washers. Seat screws tightly against back panel without driving the screw head into or through the back panel material.

⚠ WARNING Never mount screws within 1" of interior joints or through the exterior portion of the back panel. To properly secure wall cabinets larger than 15" wide, and to reduce the risk

of serious injury from cabinets falling, always use at least 4 installation screws. Make sure the screws are driven flush to the back panel and go fully into the stud at least 1".



Prepare Wall & Corner Wall Cabinets

We recommend that you install wall mounted cabinets first so the base cabinets won't be in your way as you work.

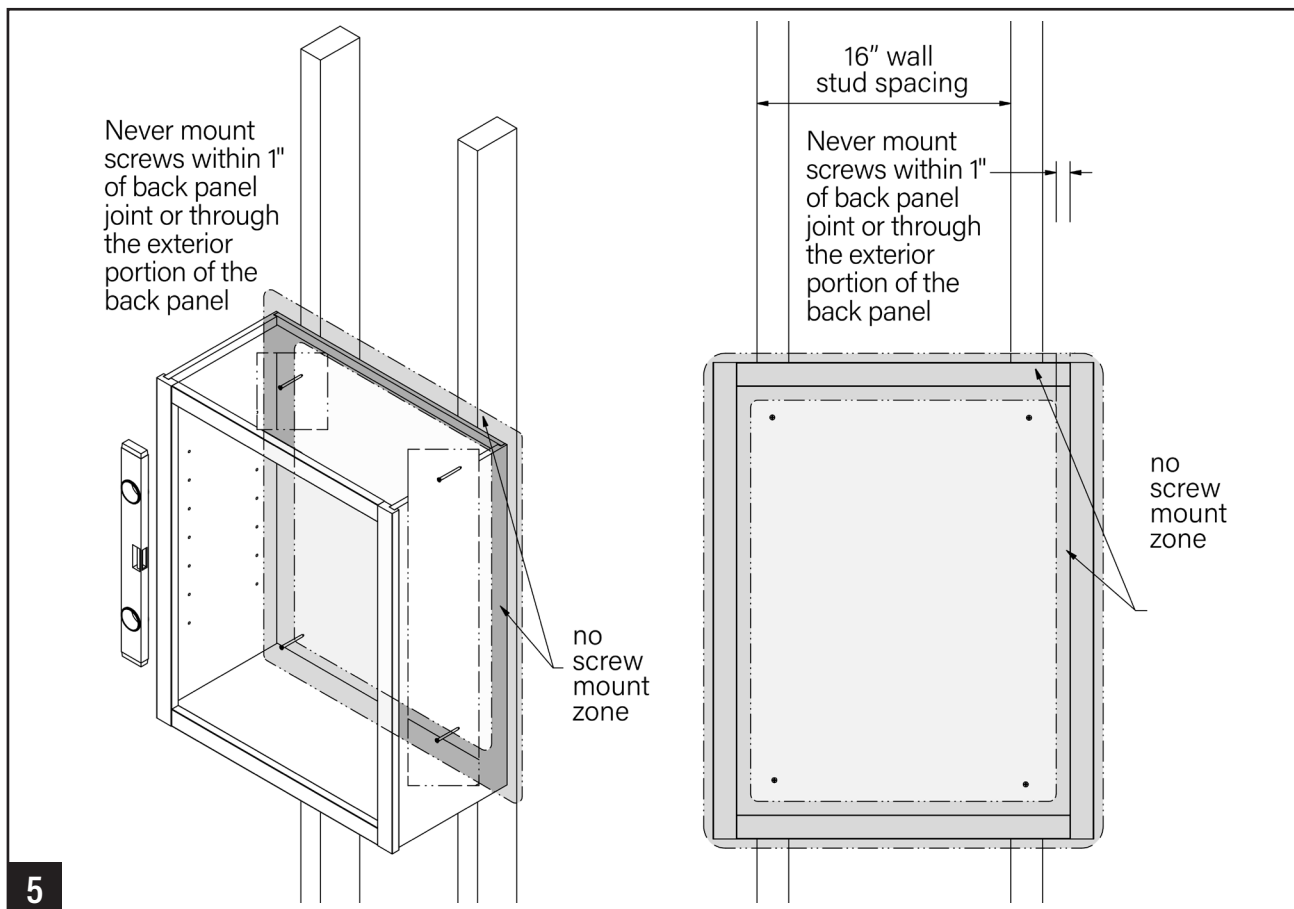
Remove all shelves and doors. We recommend labeling the doors to make the re-installation easier. Mark (or carefully stack them in position) as this will make the cabinets lighter and easier to handle.

Locate and mark wall studs for mounting hardware placement. Cabinets must be mounted to studs where available. Place the cabinet into position, use a level and shims (if needed) to ensure cabinet is level and plumb. **IMPORTANT:** Shim cabinets square (flat) to the wall so there are no gaps between back of cabinet and wall in the mounting area to prevent joint separation of side panels to back panel. Drill a $\frac{7}{32}$ " pilot hole at the stud locations through the back panel and into the stud. Make sure to position screws 1" or more from the top, bottom and sides. Mount the cabinet to the wall with the #10 x 2 1/2" washer head screws. NOTE the 'No Mount Screw Zones' in *Figures 4 & 5*.

⚠ WARNING To reduce risk of serious injury from cabinet collapsing/falling:

- Never countersink screw heads into the back panel.
- Never overtighten screws. Overtightening can damage cabinet back panel.

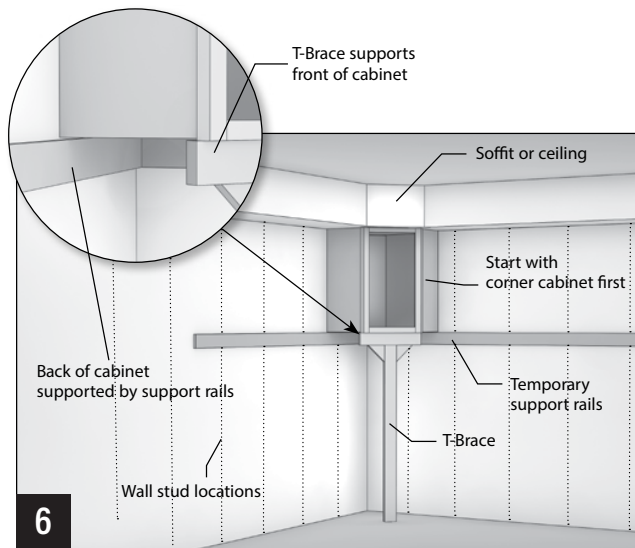
⚠ WARNING To reduce risk of serious injury from cabinet collapsing/falling, never install or use cabinets greater than 12" in depth as single, stand-alone cabinets unless additional



mounting support is used into ceiling, bulkhead and/or side wall(s). If mounting into ceiling, bulkhead or side wall is not available, always use additional support above or below cabinet to support its weight at least 12" from wall with angle brackets, bracing, shelving and or additional cabinets as a stand.

Step 3: Attaching Cabinets to the Wall

3.1 Start with the corner cabinet. With someone else's help, lift it into position on the support rail and use a 2 x 4 or T-Brace at the front to prop the cabinet into place. (*Figure 6*).



3.2 Pre-bore back panel and stud using a $\frac{7}{32}$ " drill bit. Fasten the cabinet to the wall with #10 x 2 1/2" washer head screws. **NOTICE:** Never fully tighten screws until all cabinets have been shimmed and properly positioned.

3.3 Next, using your level against the front of the cabinet, shim wherever necessary to make sure the cabinets are perfectly plumb (even though the walls may not be). You may have to loosen the wall attachment screws slightly to shim properly.

3.4 Lift and place the next cabinet into position on the support rail and brace, flushing it against the adjacent cabinet. (*Figures 7 & 8*).

3.5 Once again, pre-bore back panel and stud using a $\frac{7}{32}$ " drill bit. Fasten the cabinet to the wall with #10 x 2 1/2" washer head screws.

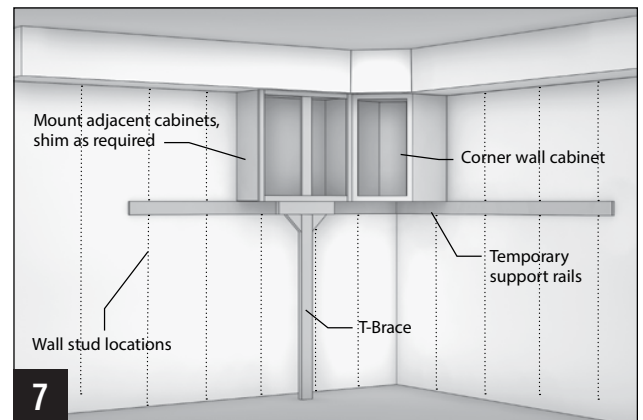
3.6 Shim and level the 2nd cabinet so that the face frames of the two adjacent cabinets are flush with no visible gaps or offsets.

3.7 Continue along the walls, repeating steps 3.2 through 3.4, until all cabinets are in place. If installing tall cabinets, it should be added at this point. Once again, shim for proper height and to align so that it is perfectly plumb with the adjacent wall cabinet. Once face frames are flush, clamp, drill and screw together as described in *Figure 8*.

NOTICE: Set the tall cabinet into position first to be sure it fits properly. Refer to specific instructions that come with specialty tall cabinets.

3.8 Once all cabinets are properly shimmed and properly positioned, finish tightening the screws to secure the cabinets to the walls.

3.9 Remove the support rails and spackle screw holes if needed.

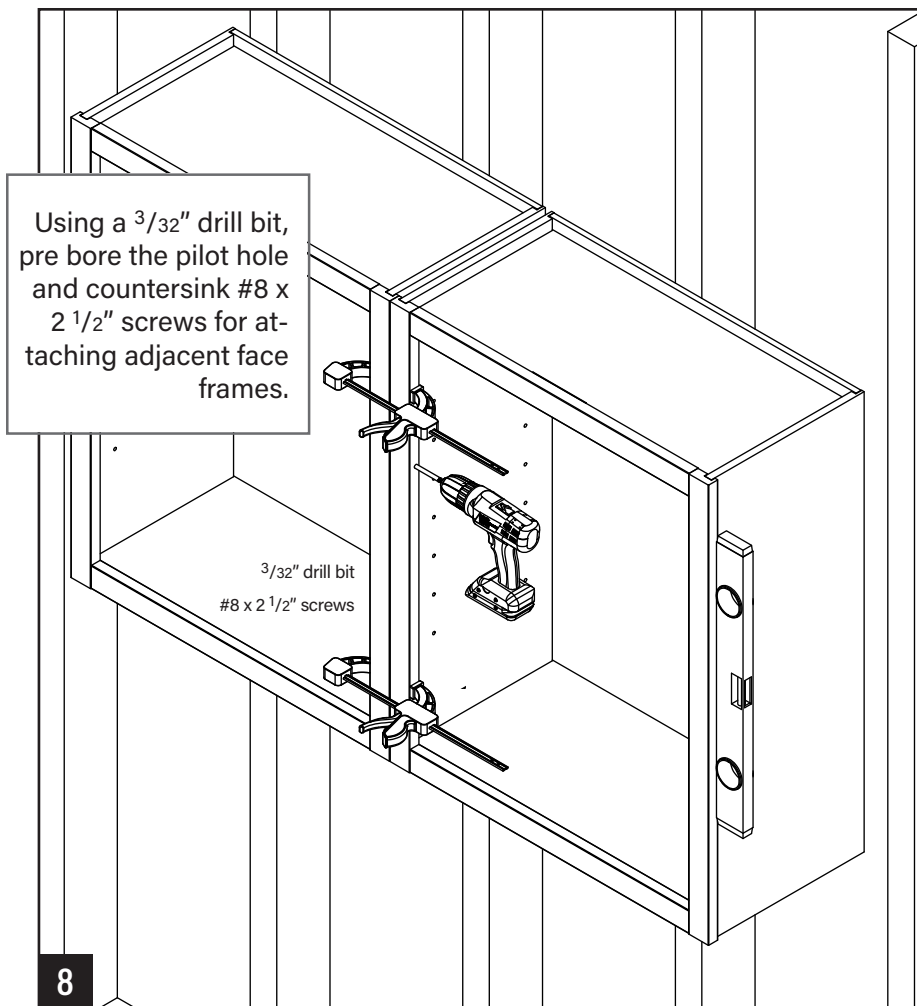


Step 4: Attach Cabinets Together

NOTICE: Do not attach through the cabinet side panel.

In order to attach two cabinets, you will need to clamp them together first. Drill a $\frac{3}{32}$ " pilot hole in two to three places along the hinge side of the face frame ensuring that the holes do not interfere with the hinge placement. Finally, drive in the #8 x 2 1/2" screws to join the two cabinets. Countersink for best appearance. (*Figure 8*).

IMPORTANT: Check to make sure the frames are even and plumb. Continue for the remainder of the cabinets and fillers following the desired layout. Once all cabinets are properly shimmed and properly positioned, finish tightening the screws to secure the cabinets to the walls.



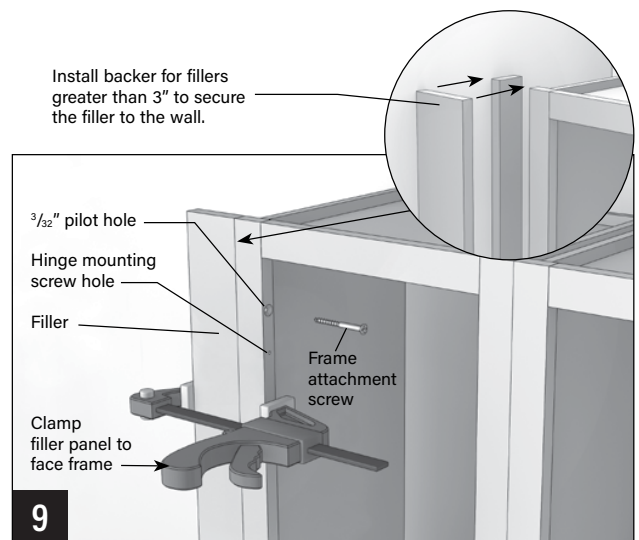
Step 5: Install Fillers (where applicable)

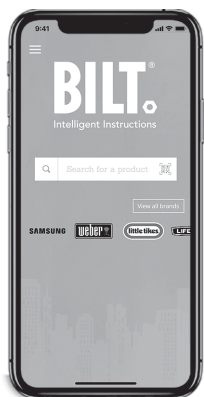
Fillers may be necessary when installing cabinets. They help allow for odd dimensions between a run of cabinets and the wall. They also allow clearance for doors and drawers to operate properly when turning a corner with a blind corner cabinet. Fillers often have to be trimmed to fit.

5.1 Measure the area requiring a filler piece. Carefully trim the filler piece to the appropriate width with a saw.

5.2 Clamp the filler in place and once again, drill a pilot hole on the hinge side of the face frame and into the filler.

5.3 Fasten the filler to the cabinet with #8 x 2 1/2" frame attachment (trim head) screws. (**Figure 9**).





We have partnered with **BILT™** to provide 3D interactive instructions for this product. Download the free BILT™ app to a mobile device and search “Woodmark”

Nos hemos asociado con **BILT** para proporcionar instrucciones interactivas en 3D para este producto. Descargue la aplicación gratuita BILT en un dispositivo móvil y busque “Woodmark”

⚠ Important health notice: Some of the building materials used in this home (or these building materials) emit formaldehyde. Eye, nose, and throat irritation, headache, nausea and a variety of asthma-like symptoms, including shortness of breath, have been reported as a result of formaldehyde exposure. Elderly persons and young children, as well as anyone with a history of asthma, allergies, or lung problems, may be at greater risk. Research is continuing on the possible long-term effects of exposure to formaldehyde. Reduced ventilation may allow formaldehyde and other contaminants to accumulate in the indoor air. High indoor temperatures and humidity raise formaldehyde levels. When a home is to be located in areas subject to extreme summer temperatures, an air-conditioning system can be used to control indoor temperature levels. Other means of controlled mechanical ventilation can be used to reduce levels of formaldehyde and other indoor air contaminants. If you have any questions regarding the health effects of formaldehyde, consult your doctor or local health department.

WARNING: This product can expose you to chemicals including formaldehyde which is known to the State of California to cause cancer,

and methanol, which is known to the State of California to cause birth defects or other reproductive harm. For more information go to www.P65Warnings.ca.gov

⚠ AVISO IMPORTANTE PARA LA SALUD: Algunos materiales de construcción usados en esta vivienda (o estos materiales de construcción) emiten formaldehído. La irritación en ojos, nariz y garganta; los dolores de cabeza, náusea y otros síntomas parecidos al asma, como la falta de aire, han sido identificados como consecuencias de la exposición al formaldehído. Los ancianos y los niños pequeños, así como quienquiera con historial de asma, alergias o problemas pulmonares, pueden correr mayor riesgo. Continúan las investigaciones sobre los posibles efectos a largo plazo por exposición al formaldehído.

La poca ventilación pudiera causar acumulación del formaldehído u otros contaminantes del aire en interiores. Las altas temperaturas y humedad en interiores incrementan los niveles de formaldehído. Para viviendas en zonas de temperaturas extremas durante el verano puede usarse un sistema de aire acondicionado a fin de controlar los niveles de temperatura en interiores. Otros medios de ventilación mecánica controlada pueden usarse para reducir los niveles de formaldehído y otros contaminantes del aire en interiores. En caso de pregunta o duda con respecto a los efectos del formaldehído en la salud, consultar al médico o llamar al departamento de salud local.

ADVERTENCIA: Este producto puede exponerte a sustancias químicas incluyendo formaldehído, que se considera en el estado de California como causante de cáncer, y metanol, que se considera en el estado de California como causante enfermedades congénitas y otros daños al sistema reproductor. Para más información, visite www.P65Warnings.ca.gov



Do you have a **question** about this product? Do you have damaged or missing parts or need installation advice? **DO NOT RETURN** the product to the store. We're here to help.

¿Tiene alguna **pregunta** sobre este producto? ¿Tiene piezas dañadas o faltantes o necesitas algún consejo para la instalación? **NO DEVUELVAS** el producto a la tienda. Estamos aquí para ayudarte.

Call us at/Llamenos al:
1-888-578-4009

Email us at/Envíanos un email a:
HOMEPRODUCTS_CC@WOODMARK.COM

from Mon-Fri EST/de Lunes a Viernes Hora del
Este: **8AM-7PM EST**



Reviews are important to us. If you are happy with this product, please leave us a 5-star review.

Las reseñas son importantes para nosotros. Si estás satisfecho con este producto, por favor, déjanos una reseña de 5 estrellas.

*The fastening solutions described here are recommendations only, and are based on commonly used installations. Each installer must evaluate the specific characteristics of the particular wall on which the cabinets are to be installed to ensure the proper fastening solution is used and the product is fastened safely and securely. This may require hardware or fastening methods which are different from, or additional to, what is described here. AWC DOES NOT WARRANT THE INSTALLATION OF THIS PRODUCT.

*Las soluciones de sujeción aquí descritas son sólo recomendaciones y se basan en las instalaciones más comúnmente utilizadas. Cada instalador tiene que evaluar las características específicas de la pared en que se instalarán los gabinetes para garantizar que la solución de sujeción sea apropiada y que el producto quede sujeto segura y firmemente. Ello podría requerir herrajes o métodos de sujeción diferentes o adicionales a los descritos aquí. AWC NO GARANTIZA LA INSTALACIÓN DE ESTE PRODUCTO.

AMERICAN WOODMARK CORPORATION LIMITED WARRANTY

This warranty covers defects in materials and workmanship in your American Woodmark Kitchen cabinets under normal home use. This warranty is offered only to the original residential consumer purchaser ("the Consumer") and may not be transferred.

What This Warranty Covers: American Woodmark Corporation ("AWC"), the manufacturer of this kitchen cabinetry, warrants its parts and products to be free of defects in materials and workmanship from the original date of purchase under normal home use. This warranty is offered to the original residential consumer purchaser only and may not be transferred.

How Long The Warranty Lasts: The coverage of this warranty lasts for the lifetime of the original purchaser, so long as he or she owns the home in which the product was first installed. Coverage for unfinished kitchen cabinets lasts 1 year.

Warrantor: American Woodmark Corporation, 561 Shady Elm Road, Winchester, VA 22602 (888) 578-4009

What American Woodmark Will Do Under The Warranty: During the warranty period, AWC, at its option, will repair or replace any part or product that proves to have substantial defects in materials or workmanship, or AWC will provide an equivalent replacement product, at no cost to the Consumer. AWC reserves the right to change specifications in design and materials without notice and with no obligation to retrofit products we previously manufactured.

Duties of the Consumer: If you purchased American Woodmark cabinetry and need a replacement part or would like to file a warranty claim, IMMEDIATELY NOTIFY AWC BY E-MAIL (Homeproducts_CC@woodmark.com) OR TELEPHONE (888-578-4009) OF THE ISSUE. You must provide a copy of the original sales receipt from your purchase.

Hand Carving, Wood, Aging And Printing Limitations: Because of the varying natural characteristics of wood and the effects of aging, product shown in displays and/or printed materials will not be an exact match to new cabinetry you will receive. Depending on the wood characteristics, the age of a sample and the environment of the showroom, samples will show some degree of variation from new product. In addition, you should not expect all doors, drawer fronts, trim or molding to match exactly in either finish or grain. Variation in wood is normal and unavoidable. In addition, it is not possible to match our colors exactly in printed materials. Therefore, you should view the actual samples when making your color selection. Slight variation in size and design is also characteristic of individually hand-carved items. This variation can occur from carving to carving, which only adds to their uniqueness and beauty.

Limitations and Exclusions: This warranty does not cover defects or damage which result from commercial use, improper transportation, improper installation, use of unauthorized parts, mishandling, misuse, abuse, neglect, abnormal use, improper maintenance, non-AWC repairs, accidents, impact, or acts of God, such as hurricanes, fire, earthquakes or floods, normal wear and tear, alterations, environmental conditions, humidity absorption, or mold. This warranty, and any applicable implied warranties, does not cover incidental or consequential damages arising from any defects in the product, such as labor charges for installation or removal of the product or any associated products. In addition, variations in hand carved items, wood grain, finish color, aging or other natural wood and stain characteristics are not considered defects and are not covered by this warranty.

Disclaimers and Rights: AWC disclaims any implied warranty of merchantability, and there are no express warranties other than those set forth herein. ANY WARRANTY IMPLIED BY STATE LAW (WHETHER OF MERCHANTABILITY OR FITNESS FOR A PARTICULAR USE OR OTHERWISE) SHALL BE EFFECTIVE FOR ANY PRODUCT ONLY FOR THE DURATION OF THE APPLICABLE LIMITED WARRANTY PERIOD LISTED ABOVE. SOME STATES DO NOT ALLOW THE EXCLUSION OR LIMITATION OF INCIDENTAL OR CONSEQUENTIAL DAMAGES, SO THE ABOVE LIMITATION OR EXCLUSION MAY NOT APPLY TO YOU. THIS WARRANTY GIVES YOU SPECIFIC LEGAL RIGHTS, AND YOU MAY ALSO HAVE OTHER RIGHTS THAT VARY FROM STATE TO STATE.

How to Obtain Warranty Service: If you need replacement parts or would like to make a warranty claim, please contact our Customer Care

Representative by mail, email, fax or telephone at the address or phone numbers listed on this page. All warranty claims must include the model number of the product, copy of the original receipt and the nature of the problem. In addition, AWC may at its discretion require inspection of the installation site or authorize the prepaid return of the claimed defective part. Merchandise not preapproved for return will not be accepted and the associated claim not accepted.

Products should be examined for defects prior to installation. This warranty also does not cover labor charges for installation or removal of the product or any associated products. If upon inspection you find our product has a damaged or missing part, it may not be necessary to return the unit to the store of purchase. Please contact AWC customer care to possibly obtain a replacement part.

GARANTÍA LIMITADA DE AMERICAN WOODMARK CORPORATION

Esta garantía cubre defectos en materiales y mano de obra en sus gabinetes de cocina American Woodmark bajo uso doméstico normal. Esta garantía se ofrece únicamente al comprador consumidor residencial original ("el Consumidor") y no puede transferirse.

Qué Cubre la Garantía: American Woodmark Corporation ("AWC"), el fabricante de estos gabinetes de American Woodmark, garantiza que sus piezas y productos están libres de defectos en materiales y mano de obra desde la fecha original de compra bajo uso doméstico normal. Esta garantía se ofrece únicamente al comprador consumidor residencial original y no puede transferirse.

Cuánto Dura la Garantía: La cobertura de esta garantía dura toda la vida del comprador original, siempre que sea propietario de la vivienda en la que se instaló el producto por primera vez. La cobertura para gabinetes de cocina sin acabado es de 1 año.

Garante: American Woodmark Corporation, 561 Shady Elm Road, Winchester, VA 22602 (888) 578-4009

Qué hará American Woodmark bajo la garantía: Durante el período de garantía, AWC, a su opción, reparará o reemplazará cualquier pieza o producto que demuestre tener defectos sustanciales en materiales o mano de obra, o AWC proporcionará un producto de reemplazo equivalente, sin costo para el consumidor. AWC se reserva el derecho de cambiar las especificaciones de diseño y materiales sin previo aviso y sin ninguna obligación de renovar los productos fabricados previamente.

Deberes del Consumidor: Si compró gabinetes de American Woodmark y necesita una pieza de repuesto o desea presentar un reclamo de garantía, NOTIFIQUE INMEDIATAMENTE A AWC POR CORREO ELECTRÓNICO (Homeproducts_CC@woodmark.com) O POR TELÉFONO (888-578-4009) DEL PROBLEMA. Debe proporcionar una copia del recibo de venta original de su compra.

Limitaciones de talla a mano, madera, envejecimiento e impresión: Debido a las características variables naturales de la madera y a los efectos del envejecimiento, el producto mostrado en la exhibición y/o en los materiales impresos puede no coincidir exactamente con los gabinetes nuevos que usted recibirá. Dependiendo de las características de la madera, la edad de la muestra y las condiciones ambientales de la sala de exhibición, las muestras variarán en cierto grado, del producto nuevo. Además, usted no deberá esperar que todas las puertas, caras de los cajones, acabados o molduras tengan acabados o vetas idénticos. La variación de la madera es normal e inevitable. Además, es imposible reproducir exactamente nuestros colores en el material impreso. Por consiguiente, usted debe ver las muestras reales al elegir su color. Una ligera variación en tamaño y diseño también es característica de los artículos tallados a mano individualmente. Esta variación puede suceder en cada talla, lo que solo le añade singularidad y belleza.

Limitaciones y Exclusiones: Esta garantía no cubre defectos o daños que resulten del uso comercial, transporte inadecuado, instalación incorrecta, uso de piezas no autorizadas, mal manejo, mal uso, abuso, negligencia, uso anormal, mantenimiento inadecuado, reparaciones que no sean de AWC, accidentes, impactos o actos de Dios, como huracanes, incendios, terremotos o inundaciones, desgaste normal, alteraciones, condiciones ambientales, absorción de humedad o moho. Esta garantía y cualquier otra garantía implícita correspondiente, no cubre daños incidentales o secundarios resultado de cualquier defecto en el producto, tales como cargos por mano de obra por la instalación o retiro del producto o de cualquier producto relacionado. Además, en los artículos tallados a mano, las variaciones en la veta de la madera, el color del acabado, el envejecimiento u otras características de la madera o el tinte no se considerarán defectos y no están cubiertos por esta garantía.

Exenciones de Responsabilidad y Derechos: AWC renuncia a cualquier garantía implícita de comerciabilidad y no existen garantías expresas distintas de las aquí establecidas. CUALQUIER GARANTÍA IMPLÍCITA POR LA LEY ESTATAL (YA SEA DE COMERCIABILIDAD O APTITUD PARA UN USO PARTICULAR O DE OTRA MANERA) SERÁ EFECTIVA PARA CUALQUIER PRODUCTO SOLAMENTE DURANTE LA DURACIÓN DEL PERÍODO DE GARANTÍA LIMITADA APLICABLE INDICADO ARRIBA. ALGUNOS ESTADOS NO PERMITEN LA EXCEPCIÓN O LIMITACIÓN DE DAÑOS DIRECTOS O INDIRECTOS, POR TANTO LA EXCEPCIÓN O LIMITACIÓN ANTERIOR PUEDE NO SER APLICABLE EN SU CASO. ESTA GARANTÍA LE OTORGA DERECHOS LEGALES ESPECÍFICOS Y ES POSIBLE QUE TAMBIÉN GOCE DE OTROS DERECHOS QUE VARIAN DE UN ESTADO A OTRO.

Cómo Recibir Servicio de Garantía: Si necesita piezas de reemplazo o le gustaría hacer una reclamación de garantía, por favor, contacte a nuestro Representante de Atención al Cliente por correo electrónico, fax o teléfono, por medio de la dirección o el número de teléfono provistos en esta página. Todas las reclamaciones de garantía deben incluir el número de modelo del producto, copia del recibo original y la naturaleza del problema. Además AWC podrá, a su discreción, requerir una inspección del sitio de la instalación o autorizar la devolución prepagada de la pieza defectuosa por la cual se hace la reclamación. No se aceptará ninguna mercancía cuya devolución no haya sido previamente aprobada ni ninguna reclamación relacionada con tal mercancía.

Antes de la instalación, los productos deben examinarse en busca de defectos. Esta garantía tampoco cubre los cargos por mano de obra relacionados con la instalación o retiro del producto o productos relacionados. Si al inspeccionar el producto usted encuentra que falta una pieza o que alguna de ellas está dañada, puede que no sea necesario devolver la unidad a la tienda donde la compró. Por favor, contacte a atención al cliente de AWC para determinar la posibilidad de obtener una pieza de reemplazo.