

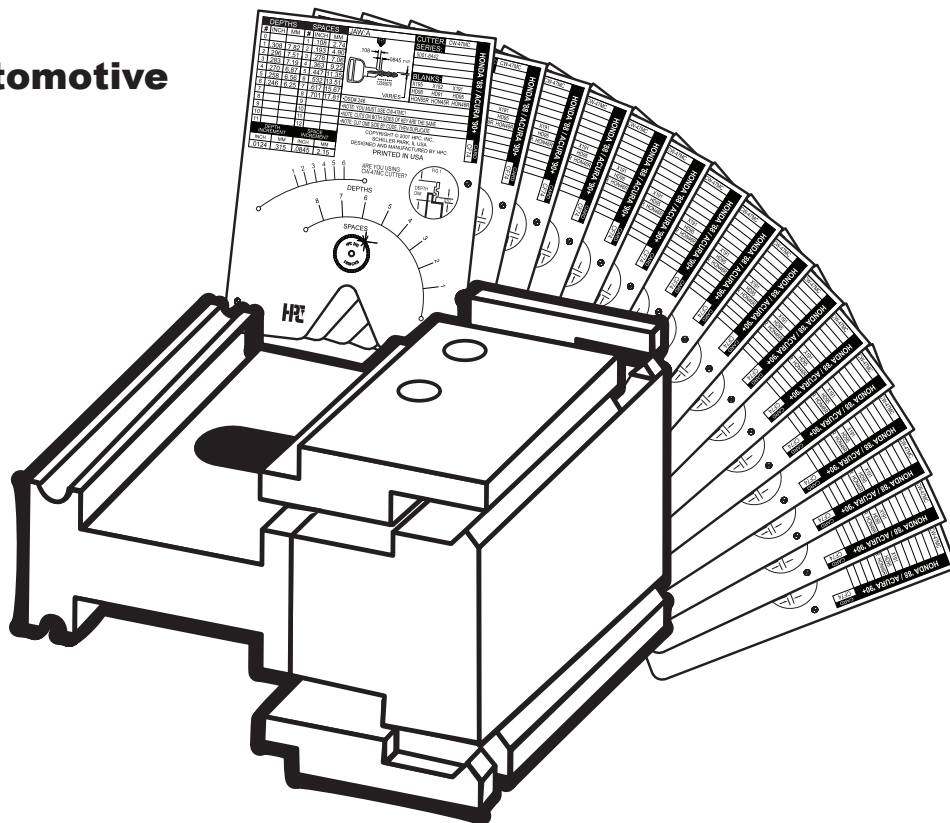
Don't miss out!

Keep your competitors at bay.



Automotive Super Jaw Kit

Cut double-sided automotive keys on your Blitz™!



Car manufacturers make their keys double-sided for the convenience of their customers, and HPC makes the Automotive Super Jaw for the convenience of our customers. This specialty jaw grips the key blank by the center milling allowing you to code cut double-sided automotive keys on your Blitz™, 1200CM and Switch Blitz™ Machine quickly and accurately on both sides of a single key blank.

No. ASJ-1200

hpcworld.com



Call Now!