



SPECIFICATIONS FOR POP-UPS

Description

- Lavatory sink pop-up
- Brushed nickel finish
- Brass construction
- Fits most standard lavatory sink drains
- 1-1/4" tailpiece

Compliance & Listings

- Designed to comply with requirements of ASME A112.18.1
- Designed to comply with requirements of ASME A112.18.2
- cUPC (Uniform Plumbing Code & Canadian UPC)

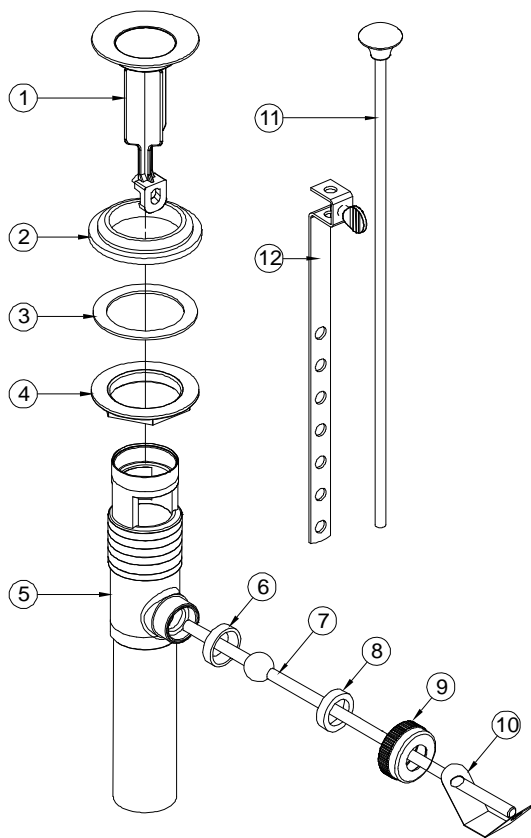
Warranty

- Three-Year Limited Warranty
Refer to Premier warranty program for further details and restrictions.



Model 124011

Lavatory Pop-Up
Brushed Nickel Finish



All dimensions are nominal.

No.	Part	Material	Qty.
1	Plunger	Plastic/Brass	1
2	Gasket	SBR	1
3	Washer	PE	1
4	Jam Nut	Brass	1
5	Body	Brass	1
6	Inner Washer	PVC	1
7	Ball Rod	Steel/PVC	1
8	Outer Washer	PA	1
9	Ball Nut	Brass	1
10	Spring Clip	Stainless Steel	1
11	Lift Rod	Brass	1
12	Lift Rod Strap	Steel	1

