



SPECIFICATIONS FOR SINK STRAINERS

Description

- Stainless steel kitchen sink strainer assembly
- Brushed nickel finish
- All metal construction
- Fits most standard kitchen sink outlets
- Connects to a 1-1/2" tailpiece



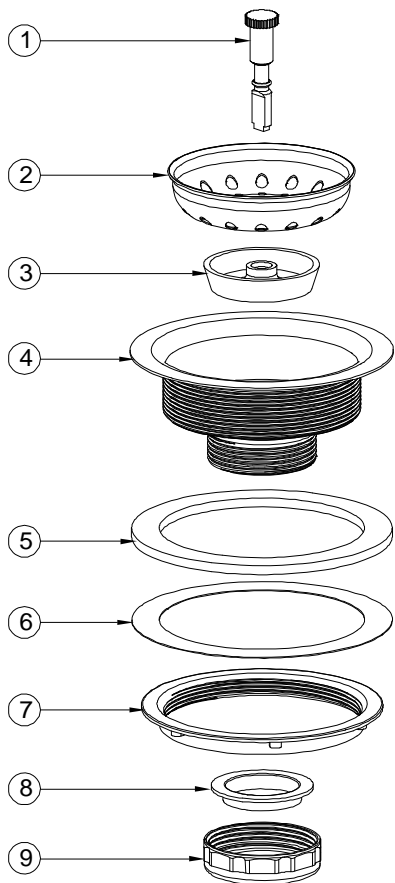
Model 122007

Kitchen Sink Strainer Assembly
Brushed Nickel Finish

Warranty

- Three-Year Limited Warranty

Refer to Premier warranty program for further details and restrictions.



No.	Part	Material	Qty.
1	Post	Zinc	1
2	Basket	Stainless Steel	1
3	Stopper	NBR	1
4	Body	Stainless Steel	1
5	Gasket	NBR	1
6	Friction Washer	Fiber	1
7	Lock Nut	Zinc	1
8	Tailpiece Washer	PE	1
9	Slip-Joint Nut	Zinc	1

All dimensions are nominal.

