

SPEAKMAN COMPANY

Caspian Collection Combination Series

SM-7400-P

DESCRIPTION

Speakman Caspian Collection Combination Series unites the best products included in our Caspian Series. The combination begins with our anti-scald balanced pressure valve with integral diverter/volume control and integral stops, featuring a brass body and adjustable temperature limit stop. The wall plate, handle, and diverter/volume control handle are designed with definitive Caspian Collection styling. Piston type pressure balancing/ceramic regulating cartridge assembly with built-in check valves. Meets ASME A112.18.1 / CSA B125.1 & ASSE 1016 standards.

SPECIFICATIONS

SM-7400-P Anti-Scald Balanced Pressure Valve:

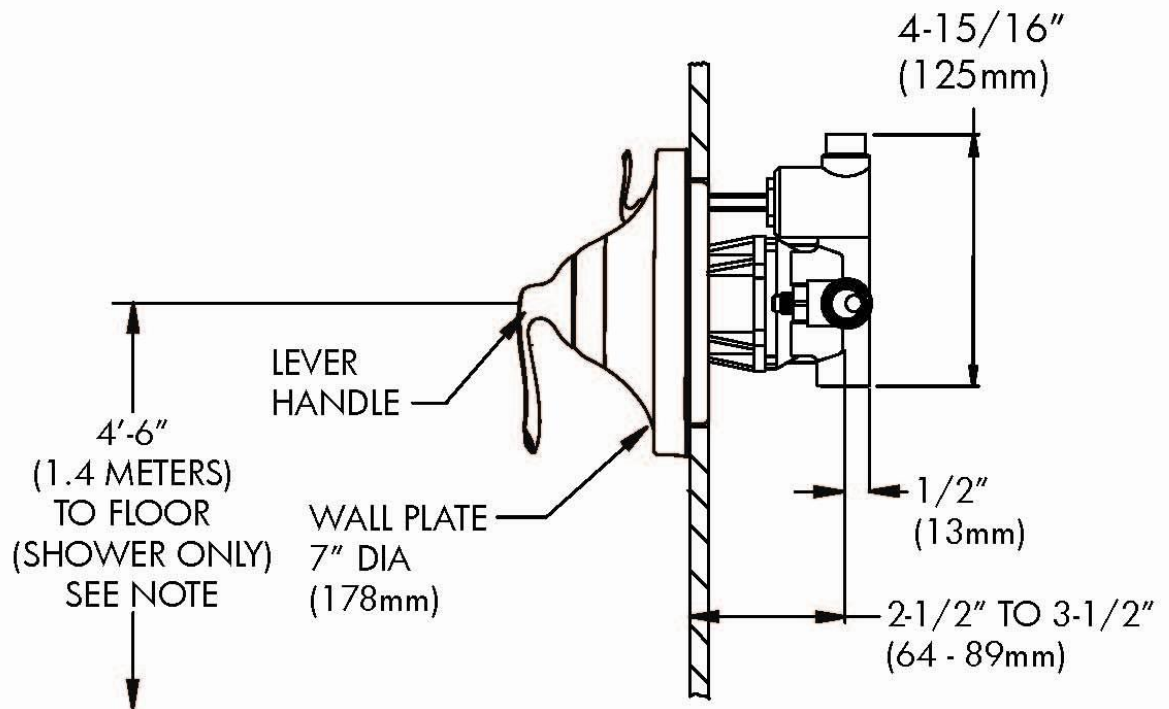
Connections: 1/2" female copper sweat inlets & shower outlet; 1/2" NPT female tub outlet

Flow Rate: For use with showerheads rated at 2.0 GPM (7.6 LPM) or higher.

INSTRUCTIONS

See individual products for installation of the components and warranty information.

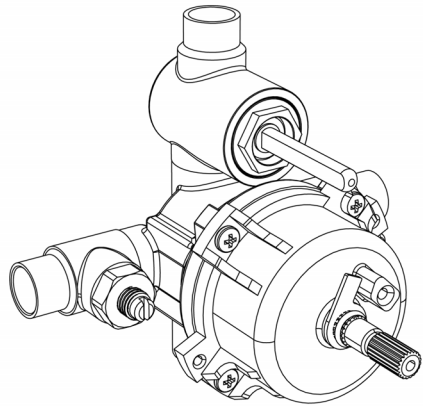
ROUGH-IN



NOTE: FOR ADA MOUNTING LOCATIONS CONSULT ADAAG, ANSI A117.1 OR STATE REGULATIONS.

Instructions for Models:

CPV-P-DV



Need Help?

For additional assistance or service call:

SPEAKMAN Company
400 Anchor Mill Road
New Castle, DE 19720

PHONE: 800-537-2107
EMAIL: customerservice@speakmancompany.com
WEB: www.speakmancompany.com

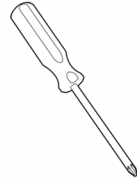
92-3307-R2

What You Need To Know:

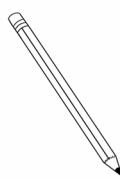
Tools:

Required:

*Phillips
Screwdriver



*Pencil



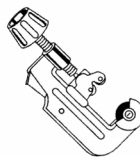
*Adjustable
Wrench



*Solder Kit

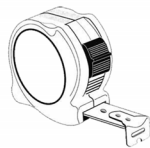


*Tubing Cutter



Helpful:

* Tape Measure



*Level



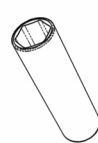
*Keyhole
Saw



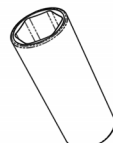
*Socket
Wrench



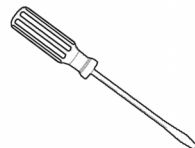
*9/16" Deep
Well Socket



*13/16" Deep
Well Socket



*Flat Tip Screwdriver



*Eye Protection



What You Need To Know:

Important Notes:

Be sure to read instructions thoroughly before beginning installation.

Be sure to have properly adjusted the Temperature Limiting Stop (TLS) as outlined in this Instruction Manual.

Inspect all connections after installation of valve.

This valve has an operating range of 20-80 psi.

Safety Tips:

Follow proper safety precautions recommended by tool manufacturers.

Wear proper eye protection.

Protect surrounding area while soldering.

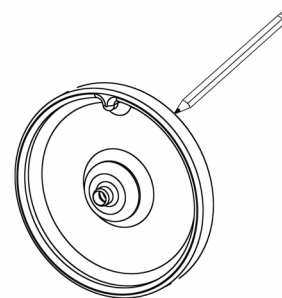
Maintenance:

Your new shower/bath valve is washerless and requires no routine maintenance.

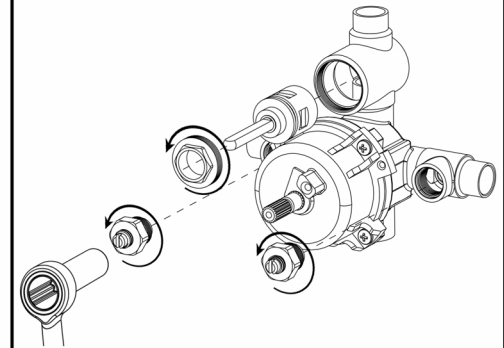
This valve incorporates a cartridge using a piston style balancing module, combined with a ceramic regulating module. This method eliminates seat washers and other packing materials.

If service is required, please follow the instructions included within the appropriate repair part grouping.

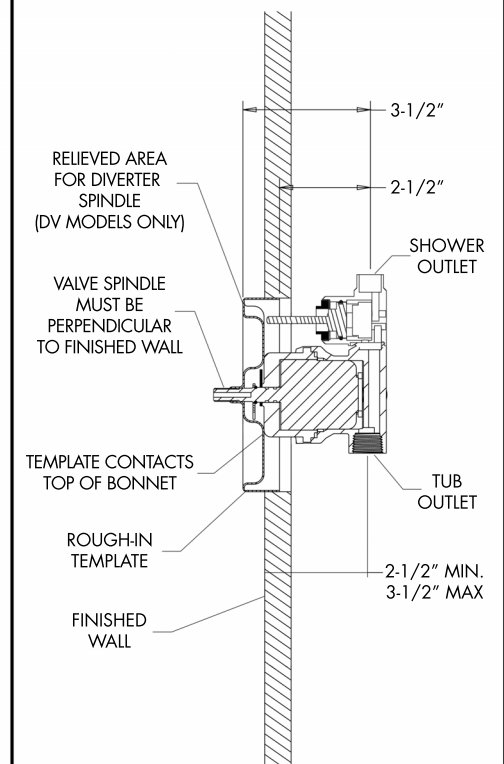
- 1 Referencing the supplied rough-in dimensions (located on last page), determine the preferred location of valve. Align the supplied rough-in template with this location and trace outline of template onto wall. Using a keyhole saw or similar tool, cut along line and remove this section of wall.



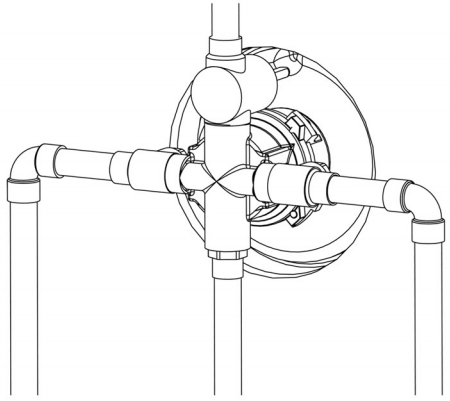
- 2 To prevent damage while soldering, remove the integral stops (IS) using a socket wrench equipped with a 9/16" deep well socket. Then remove diverter cartridge using a socket wrench equipped with a 13/16" deep well socket.



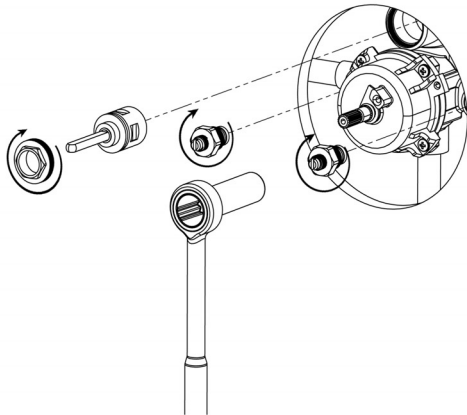
- 3 Following the rough-in dimensions (located on last page) as well as the markings on the supplied rough-in template, install valve at proper depth. The distance from the inlet/outlet ports of the valve assembly to the finished wall MUST be between 2-1/2" - 3-1/2".



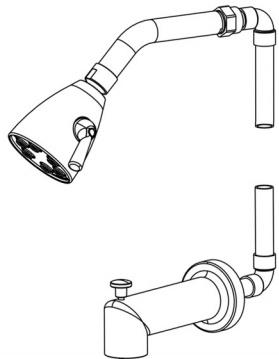
- 4** Plumb and solder all joints and fittings to valve. Take care to protect surrounding area when soldering.



- 5** Reinstall integral stops and diverter components removed in STEP 2.



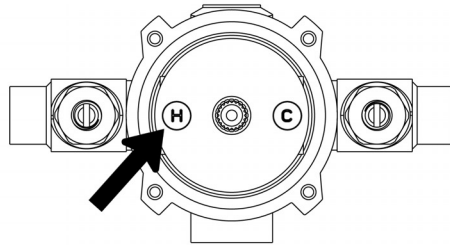
- 6** Plumb and solder all fittings required for accessories. If performing a standard installation proceed to STEP 11. If performing a back to back installation, proceed to STEP 7.



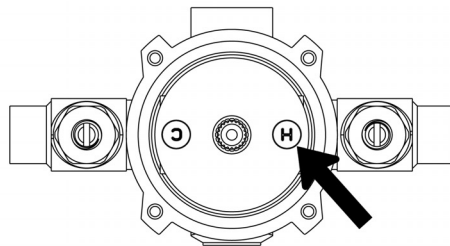
7 BACK TO BACK INSTALLATION

If a back to back installation is used, the balancing / regulating cartridge must be removed and rotated 180 degrees. **DO NOT** remove blue cover from cartridge.

STANDARD INSTALLATION:
HOT INLET ON LEFT SIDE

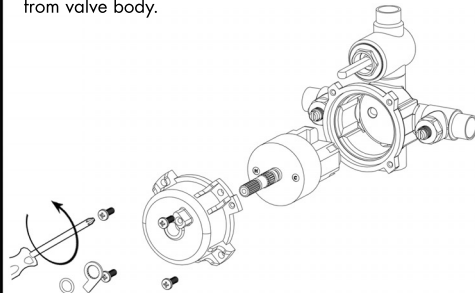


BACK TO BACK INSTALLATION:
HOT INLET ON RIGHT SIDE



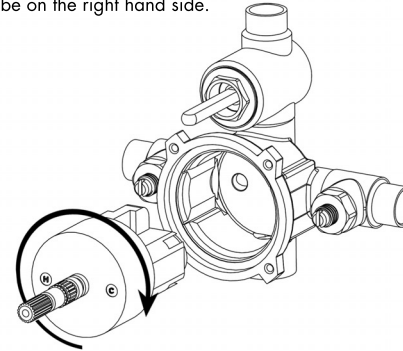
8 BACK TO BACK INSTALLATION

To adapt your shower valve for back to back installation, remove spindle O-ring, TLS plate, and four (4) bonnet screws. Then remove bonnet and cartridge assembly from valve body.



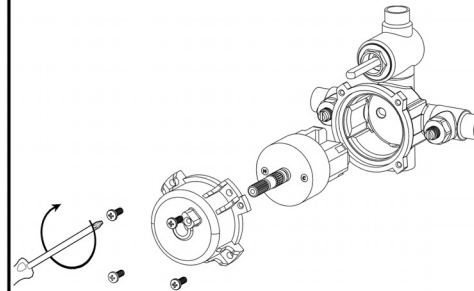
9 BACK TO BACK INSTALLATION

Rotate cartridge 180 degrees, and reinstall into valve body. The "H" marking on the blue cover should now be on the right hand side.

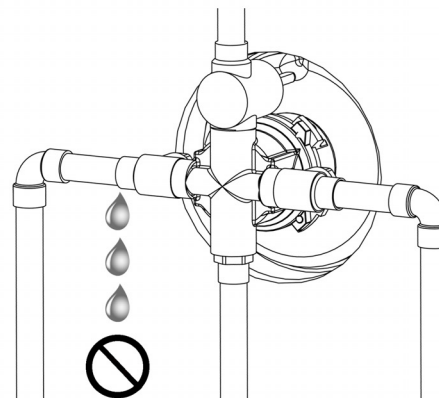


10 BACK TO BACK INSTALLATION

Reinstall bonnet and four (4) bonnet screws, making sure bonnet O-ring is in place within valve body.

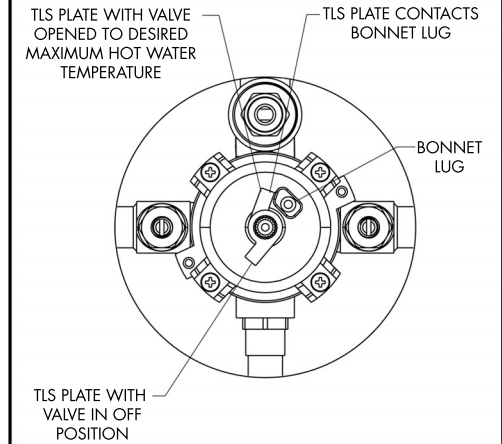


- 11** Turn on water supply and check all solder connections for leaks.

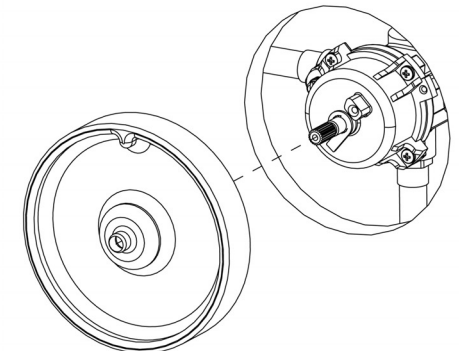


- 12** To limit the maximum hot water temperature the valve delivers, adjust the valve's temperature limit stop (TLS) plate.

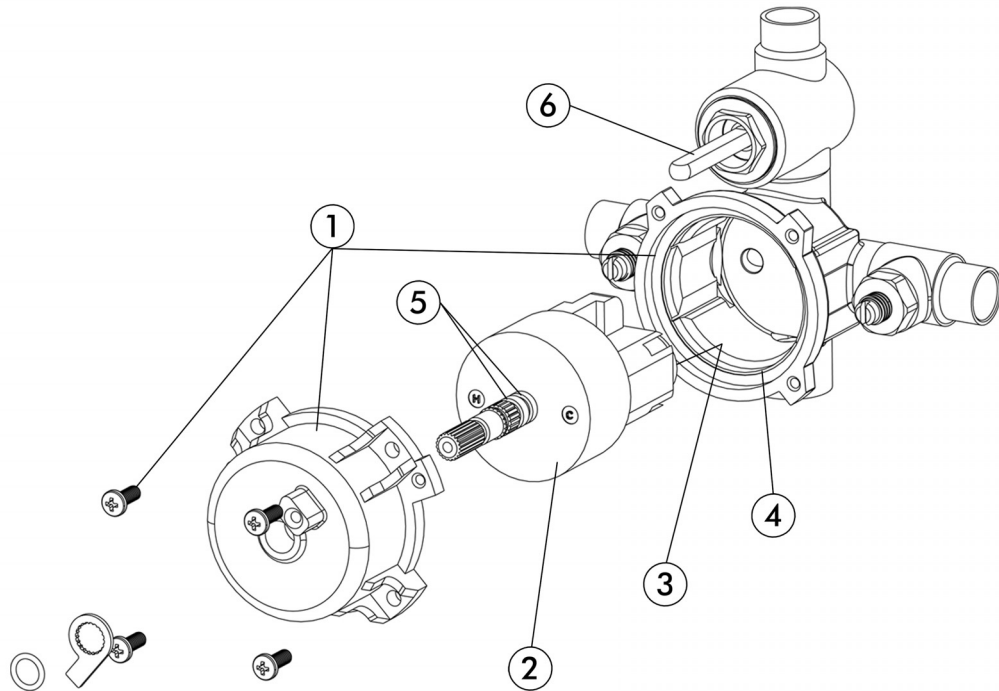
- 1 Slip the retaining O-ring and the TLS plate towards the end of the spindle.
- 2 Rotate the valve spindle clockwise to the maximum desired hot water temperature.
- 3 Position the TLS plate so it contacts the lug on the valve bonnet and therefore restricts the clockwise rotation of the spindle.
- 4 Slip the retaining O-ring back into the groove of the spindle to hold the TLS plate in place.
- 5 Rotate the spindle counter clockwise to the "Off" position.



- 13** Install rough-in template over valve to protect valve during final wall preparation.

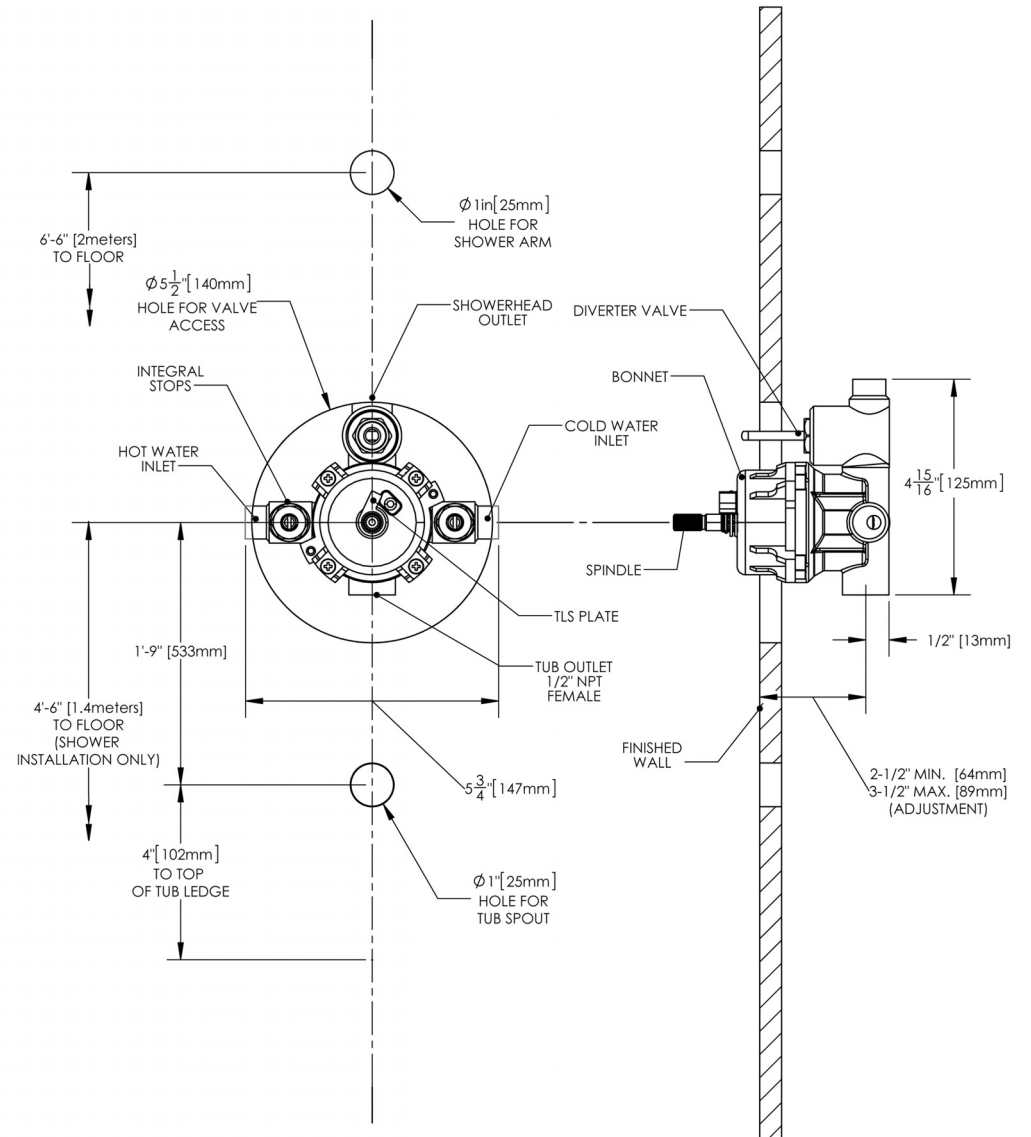


REPAIR PARTS



- ① **RPG05-0718**
4 SCREWS, BONNET, & BONNET O-RING
- ② **RPG05-0884**
CARTRIDGE
- ③ **RPG49-0005**
CARTRIDGE LOWER QUAD RINGS
- ④ **RPG49-0126**
BONNET O-RING
- ⑤ **RPG49-0076**
SPINDLE O-RINGS
- ⑥ **RPG05-0897**
DIVERTER CARTRIDGE

ROUGH-IN

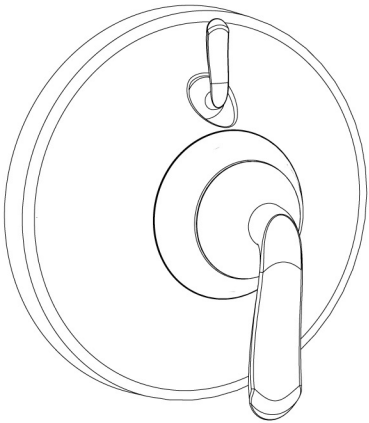


NOTES:

- ① ALL DIMENSIONS ARE IN INCHES (MILLIMETERS) UNLESS OTHERWISE SPECIFIED AND ARE SUBJECT TO CHANGE WITHOUT NOTICE.
- ② UNLESS OTHERWISE SPECIFIED ALL INLETS AND OUTLETS ARE 1/2" FEMALE COPPER SWEAT.
- ③ FOR ADA MOUNTING LOCATIONS, CONSULT ADAAG, ANSI A117.1, AND STATE REGULATIONS.

Instructions for Models:

CPT-7400-P
CPT-7400-P-BN
CPT-7400-P-PN



Need Help?

For additional assistance or service call:

SPEAKMAN Company
400 Anchor Mill Road
New Castle, DE 19720

PHONE: 800-537-2107
EMAIL: customerservice@speakmancompany.com
WEB: www.speakmancompany.com

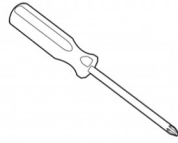
92-3269-R1

What You Need To Know:

Tools:

Required:

*Phillips Screwdriver



Helpful:

* Tape Measure



Important Notes:

Be sure to read instructions thoroughly before beginning installation. Do not overtighten any connections or damage may occur.

Be sure to have properly adjusted the Temperature Limiting Stop (TLS) as per the Valve Installation Instructions before installing Valve Trim.

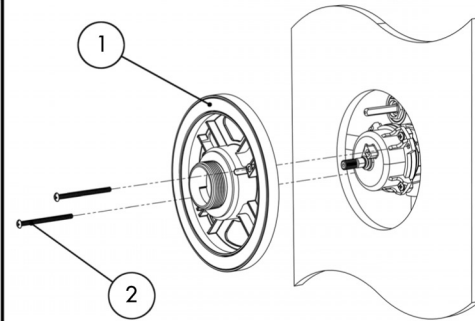
Safety Tips:

Cover your drain to prevent loss of parts.

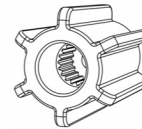
Maintenance:

Your new valve trim is designed for years of trouble-free performance. Keep it looking new by cleaning it periodically with a soft cloth. Avoid abrasive cleaners, steel wool, and harsh chemicals as these will dull the finish and void your warranty.

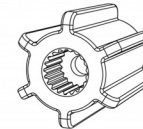
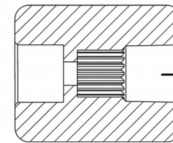
- 1** Clean wall surface. Place the mounting base (1) on to valve, align mounting holes, and secure with screws (2).



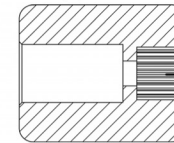
- 2** There are 2 Connectors (3) included to allow for both Shallow and Deep mount applications. Please select Connector appropriate for your installation.



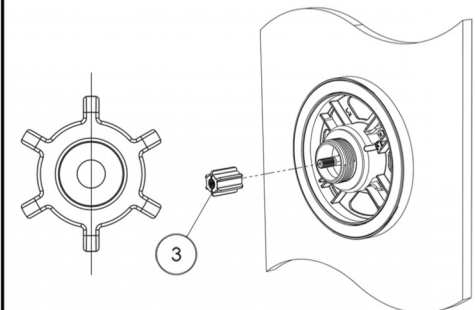
For Shallow Mount Application



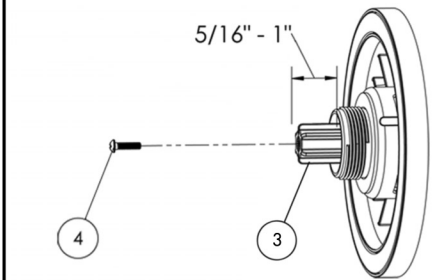
For Deep Mount Application



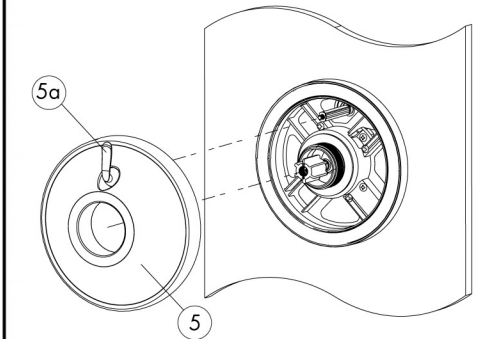
- 3** Confirm that valve is in the "off" position. Place appropriate Connector (3) on spindle of valve making sure to orient the Connector so that one set of splines are in a perfectly vertical position.



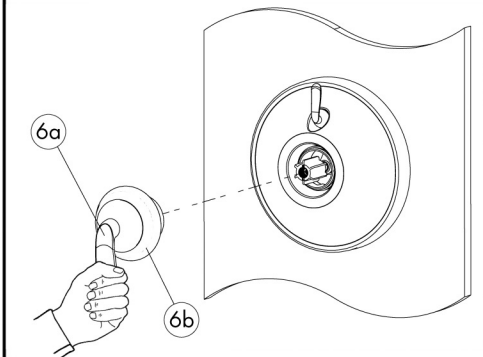
- 4** ***IMPORTANT*** When installed correctly, the Connector (3) should protrude from the Mounting Base inbetween 5/16" and 1". Secure with Screw (4)

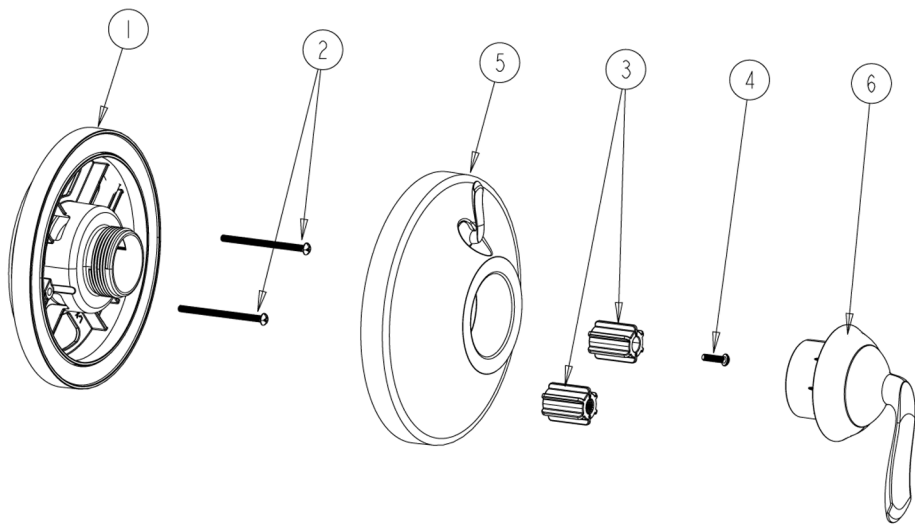


- 5** Place Escutcheon (5) on Mounting Base. Take care to align Diverter Handle assembly (5a) with Diverter Spindle.



- 6** Align Handle Assembly (6) with Connector and Escutcheon. Keep Handle (6a) in a stationary vertical position as you thread Handle Hub (6b) on Mounting Base. Tighten until snug.





- RPG05-0874 (2) (3) (4)
- RPG10-0102-(PC,BN,PN) (5)
- RPG04-0391-(PC,BN,PN) (6)

