



KEATING™ COLLECTION

60" x 32" x 19"



Ordering Information

- 534899 (HDET603219R01 / Right Drain White)
- 534900 (HDET603219L01 / Left Drain White)
- Shipping Weight: 64lbs.

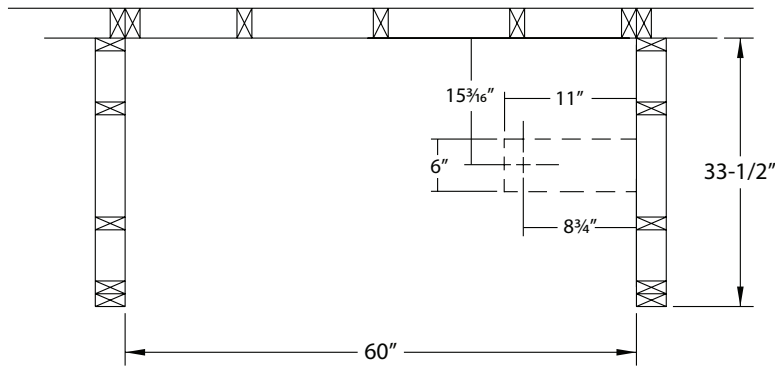
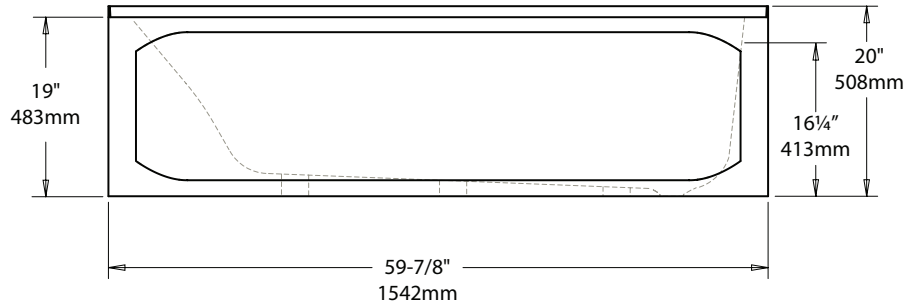
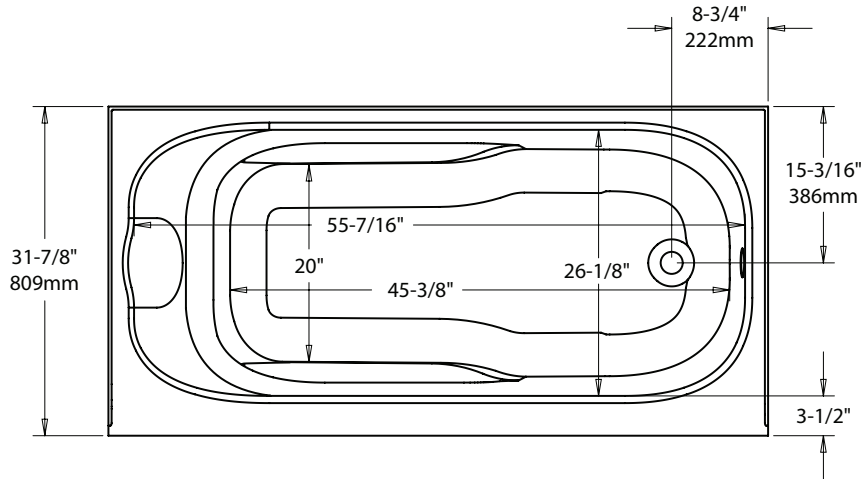
Bathtub Features

- Reinforced integral apron with brace and gussets.
- High gloss acrylic finish
- 3" diameter feet, 7/16" O.S.B. and fiberglass for maximum support
- Built-in arm rests and lumbar support

Compliance Certifications

- Meets Flame/Smoke code for High Rise

60" x 32" x 19"



⊠ = Stud location

RH Installation shown - reverse for LH installation.



HD Supply Facilities Maintenance, Ltd.
 10641 Scripps Summit Court
 San Diego, CA 92131
 phone: (800) 431-3000
 www.hdsupplysolutions.com

Design and features may change without notice.
 CAN/ULC S102.2 Flame Spread-75 & Smoke Developed-485 code.
 All product subject to manufacturing tolerance of [+] or [-] 1/8".
 Printed in U.S.A.
 04/15