

Job Name: _____
Location: _____
Contact #: _____

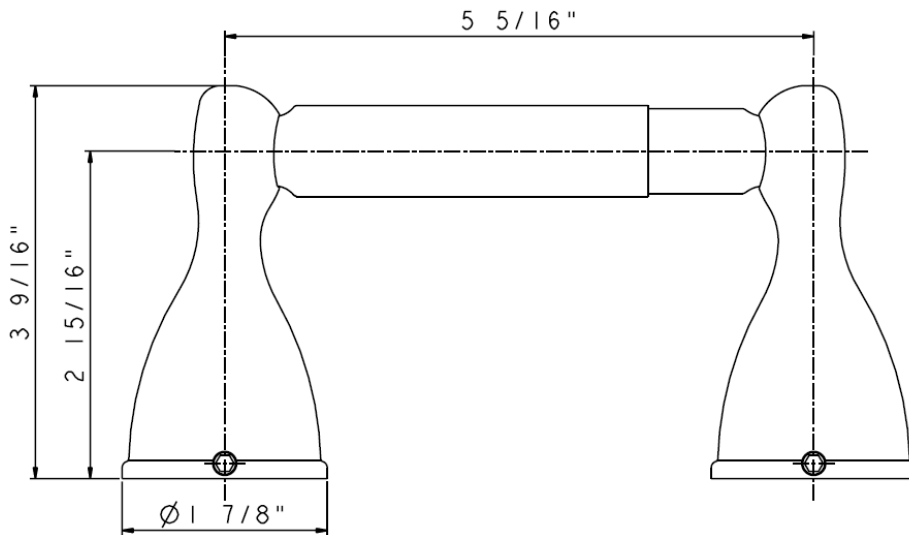


Specifications

Paper Holder

Model

818244 – Chrome finish
818249 – Brushed Nickel finish



Technical Support

888-328-2383

Manufacturer model#BTF31000

Warranty Parts List

Paper Holder

#	Description	Part #
1	Holding Hardware	Extended Tube
2	Screw ((M5 * 6.5 mm L)	A292608
3	Hex Wrench (H2.5 * 19 mm L * 53 mm L)	A031000
4	Extended Tube	A251004

