

Job Name: \_\_\_\_\_  
Location: \_\_\_\_\_  
Contact #: \_\_\_\_\_

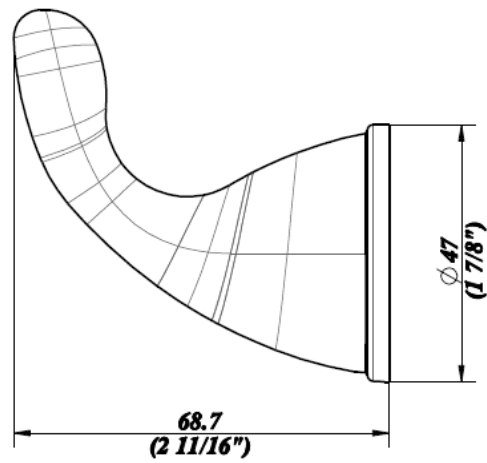
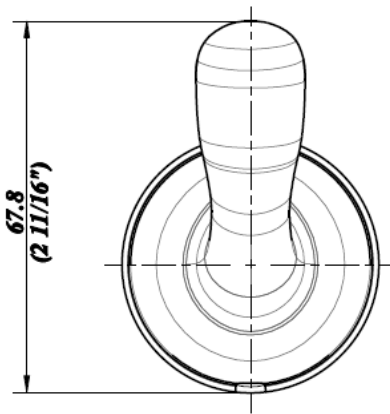


## Specifications

### Single Robe Hook

#### Model

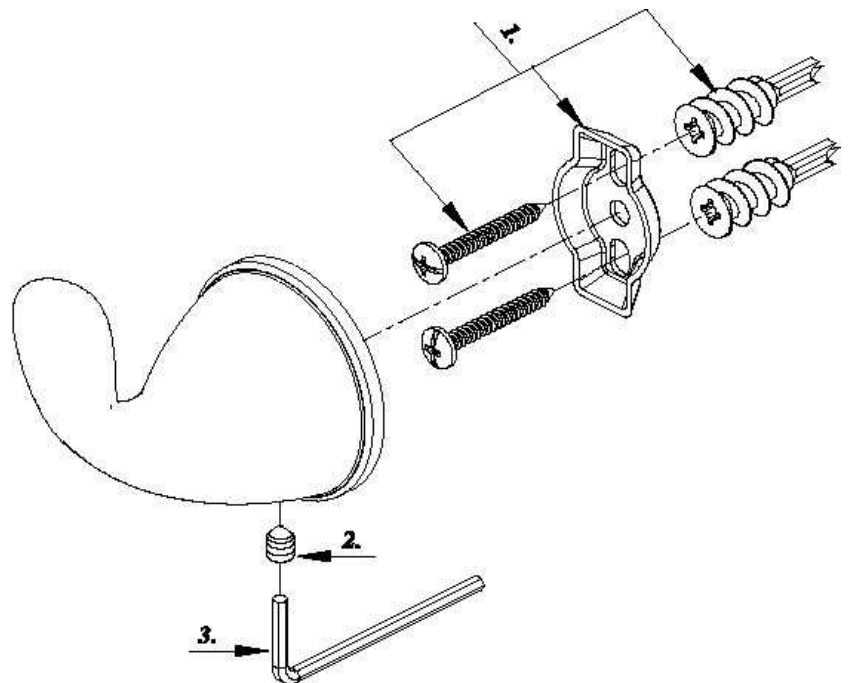
818242 – Chrome finish  
818247 – Brushed Nickel finish



## Warranty Parts List

### Single Robe Hook

#	Description	Part #
1	Holding Hardware	A290572
2	Screw ((M5 * 6.5 mm L)	A292608
3	Hex Wrench (H2.5 * 19 mm L * 53 mm L)	A031000



**Technical Support**

888-328-2383

Manufacturer model#BTF4100