

Job Name: _____
Location: _____
Contact #: _____

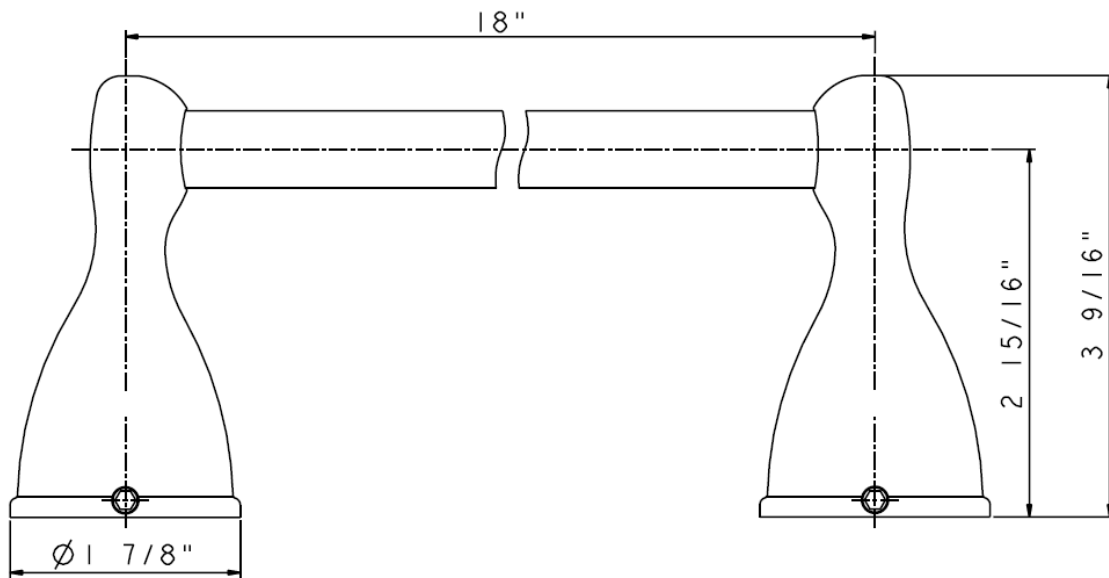


Specifications

18" Towel Bar

Model

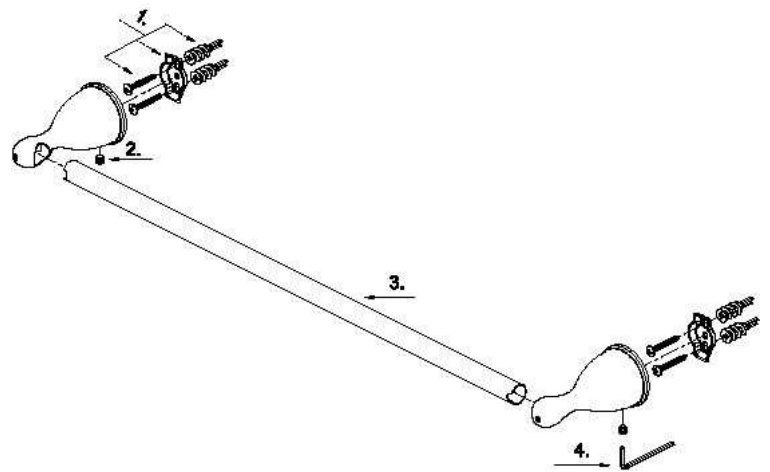
818240 – Chrome finish
818245 – Brushed Nickel finish



Warranty Parts List

18" Towel Bar

#	Description	Part #
1	Holding Hardware	A290572
2	Screw(M5 * 6.5 mm L)	A292608
3	18 "Towel Bar	A250112
4	Hex Wrench (H2.5 * 19 mm L * 53 mm L)	A031000NI



Technical Support

888-328-2383

Manufacturer model#BTF01100