

Job Name: _____
Location: _____
Contact #: _____



Specifications

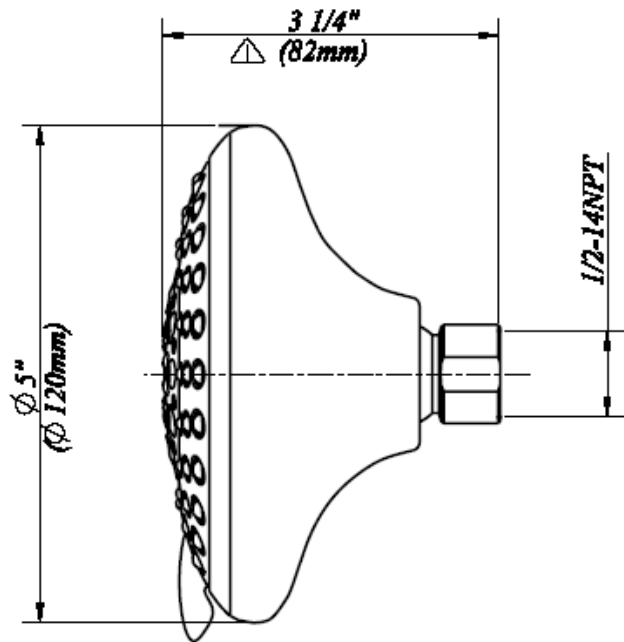
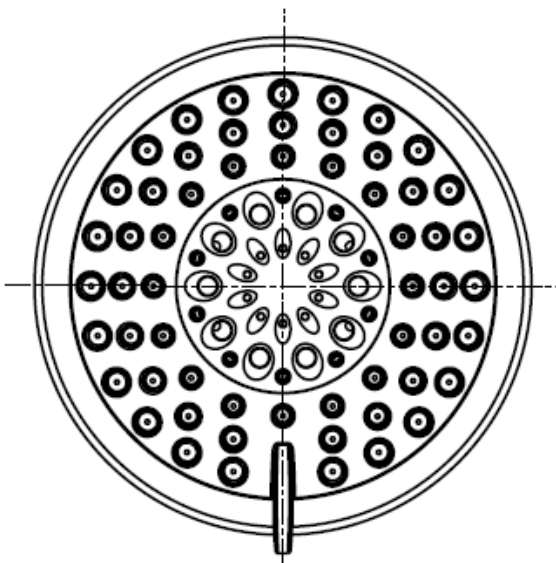
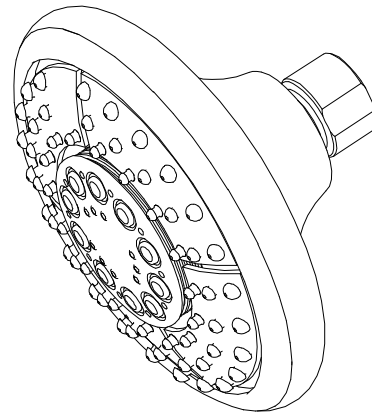
Model

534135 – Chrome finish

Plastic Showerhead

Description

- o 1.75 gpm flow
- o 5 setting fixed plastic SH
- o w/ brass ball joint
- o 100% factory pressure tested before shipment



Technical Support

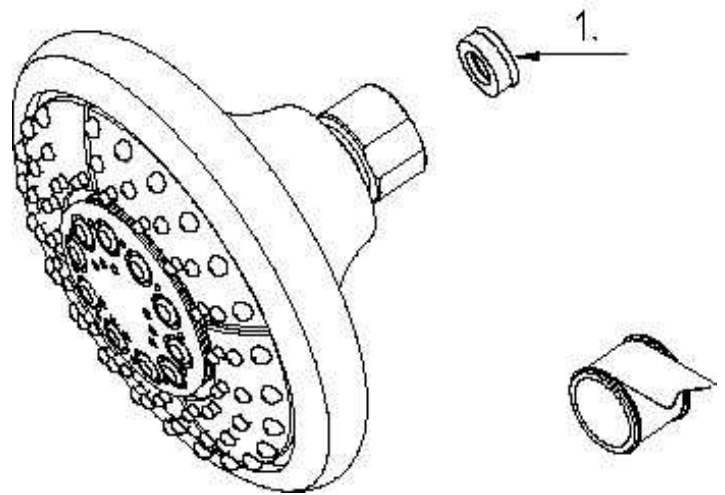
888-328-2383

Manufacturer model#S1255H00

Warranty Parts List

Plastic Showerhead

#	Description	Part #
1	Flow Restrictor	A519241



Technical Support
888-328-2383
Manufacturer model#S1255H00