

Job Name: \_\_\_\_\_  
Location: \_\_\_\_\_  
Contact #: \_\_\_\_\_



## Specifications

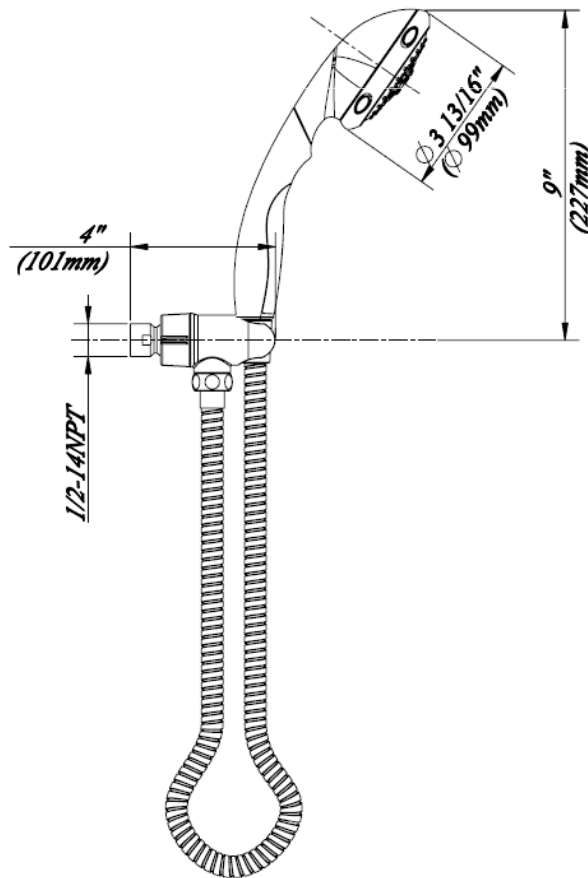
### Handheld Showerhead

#### Model

433001– Chrome finish  
433003– Brushed Nickel With PVD finish

#### Description

5 setting plastic handheld showerhead  
with 59" SS hose and bracket



**Technical Support**  
888-328-2383  
Manufacturer model#S2254403

## Warranty Parts List

### Handheld Showerhead

#	Description	Part #
1	Hand Shower	S2254400
2	Shower Bracket	A558891
3	Screen Washer	A022028
4	Washer	A088008
5	Washer	A088007
6	Shower Hose (59"L)	A105681
7	Pipe Tape	A203000

