

Job Name: _____
 Location: _____
 Contact #: _____



Specifications

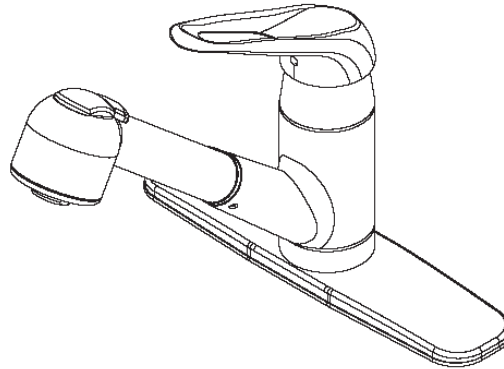
8" Single Handle Kitchen Faucet

Model

- 414125 – Chrome finish
- 416228 –Brushed Nickel finish

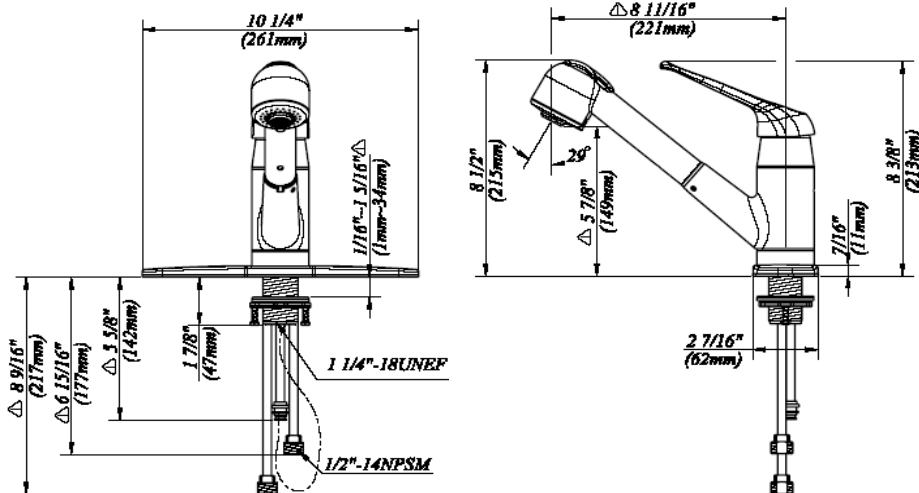
Description

- oSolid brass& copper waterways
- oFits 8" center holes
- oDrip-free ceramic cartridge
- o1/2" 14 NPS Inlet
- oMetal lever handle
- oWith pull-out spray
- oWater saving aerator
- oMax flow rate: 2.2GPM at 60Psi
- oMeet ADA requirement
- o100% factory pressure tested before shipment



Standards

- oANSI/ASME A112.18.1
- oCSA B125
- oANSI/NSF 61 – Sec. 9
- oIAPMO/UPC



NSF/ANSI 372

Technical Support

888-328-2383

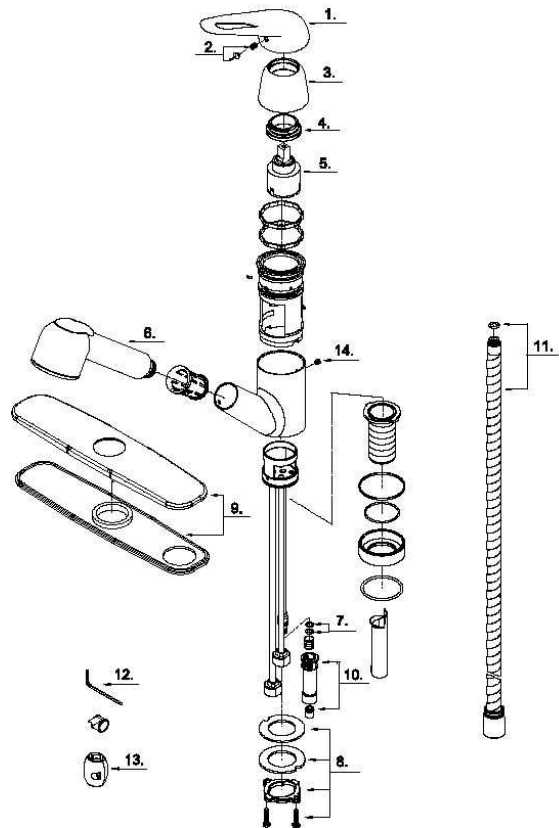
Manufacturer model#FP1C4000



Warranty Parts List

8" Single Handle Kitchen Faucet

#	Description	Part #
1	Metal Handle	A069019
2	Index Button-Cold/Hot	A66D569
3	Trim Cap	A103037
4	Locking Nut	A104008
5	Ceramic Disc Cartridge	A507348N
6	Spray Head	A523036N
7	O-Ring Set($\Phi 1/4''$ ID * $\Phi 3/8''$ OD)	A668178N
8	Mounting Hardware Assembly	A603171
9	Cover Plate & Putty Plate	A667003
10	Hose Adaptor Assembly	A422N
11	Spray Hose	A66D561N
12	Hex Wrench(H2.5 * 19 mm L * 53 mm L)	A031000NI
13	Weight	A504718
14	O-Ring Set($\Phi 1/4''$ ID * $\Phi 3/8''$ OD)	A065171



NSF/ANSI 372

Technical Support

888-328-2383

Manufacturer model# FP1C4000