

Job Name: _____
Location: _____
Contact #: _____

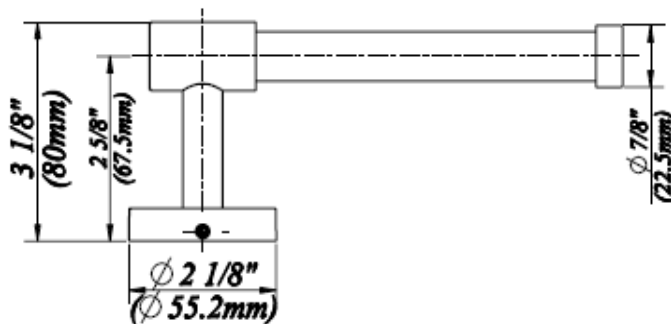
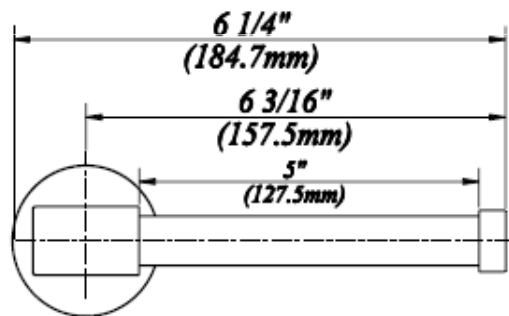


Specifications

Paper holder

Model

412526 – Chrome finish



Technical Support

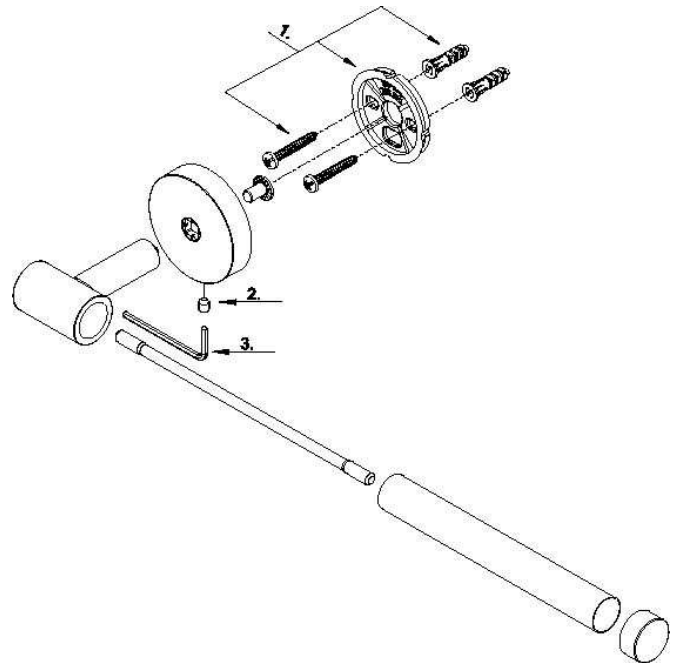
888-328-2383

Manufacturer model#BE432500

Warranty Parts List

Paper holder

#	Description	Part #
1	Holding Hardware	A290495
2	Screw (M5x6 L	A075209
3	Wrench (H2.5 * 19 mm L * 53mmL)	A031000NI



Technical Support

888-328-2383

Manufacturer model# BE432500