

Job Name: \_\_\_\_\_  
Location: \_\_\_\_\_  
Contact #: \_\_\_\_\_

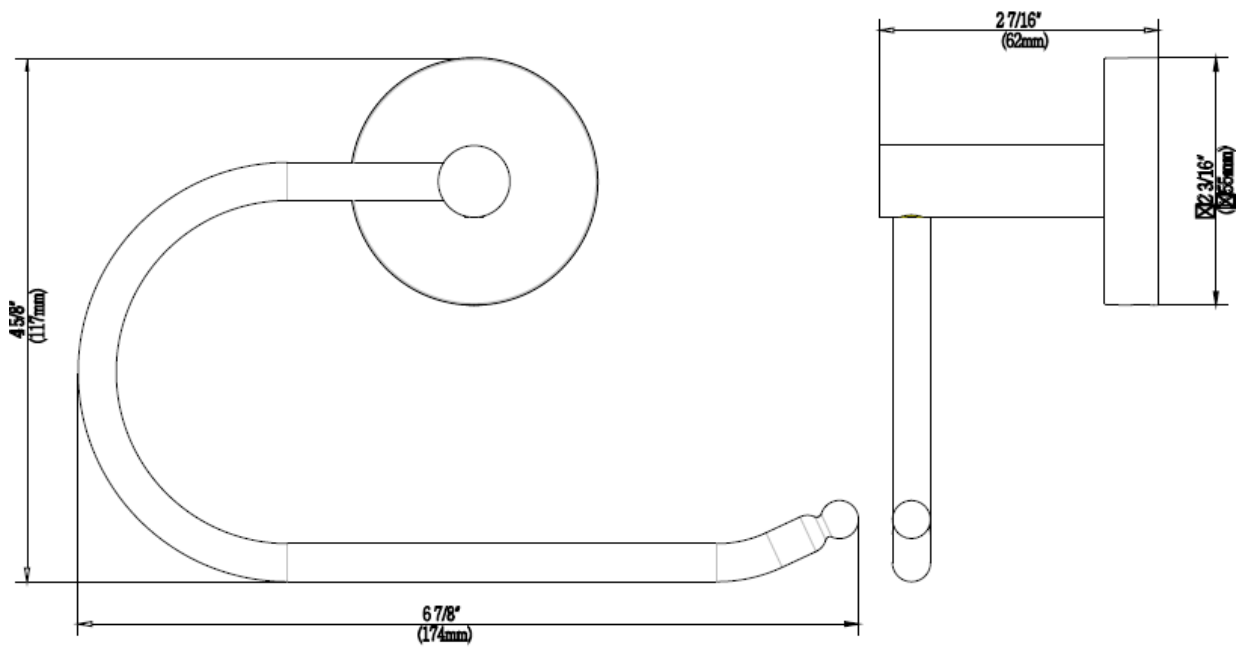


## Specifications

### Paper Holder

#### Model

412523 – Chrome finish



#### Technical Support

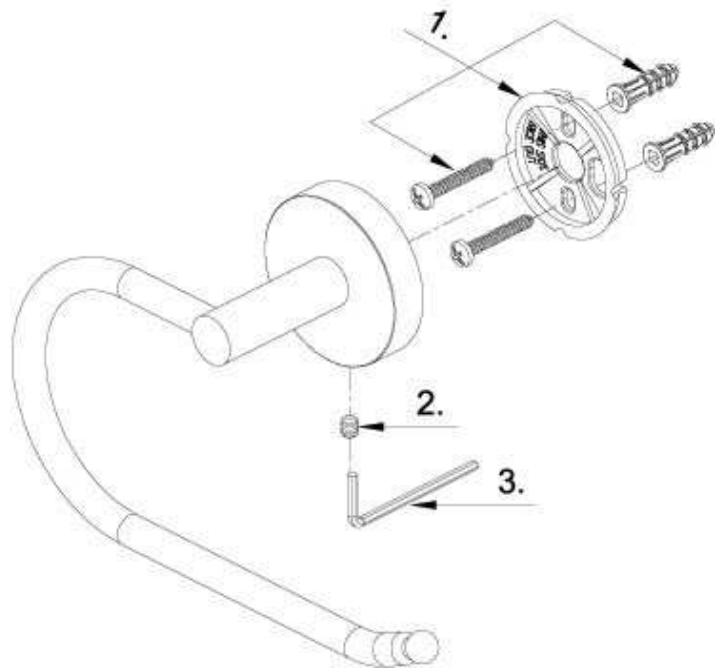
888-328-2383

Manufacturer model#B3933100

## Warranty Parts List

### Paper Holder

#	Description	Part #
1	Holding Hardware	A290265
2	Screw (M5 * 6 mm L)	A075038
3	Hex Wrench (H2.5 * 19 mm L * 53 mm L)	A031000



**Technical Support**

888-328-2383

Manufacturer model#B3933100