

Job Name: _____
Location: _____
Contact #: _____

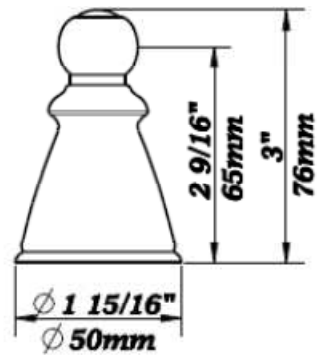
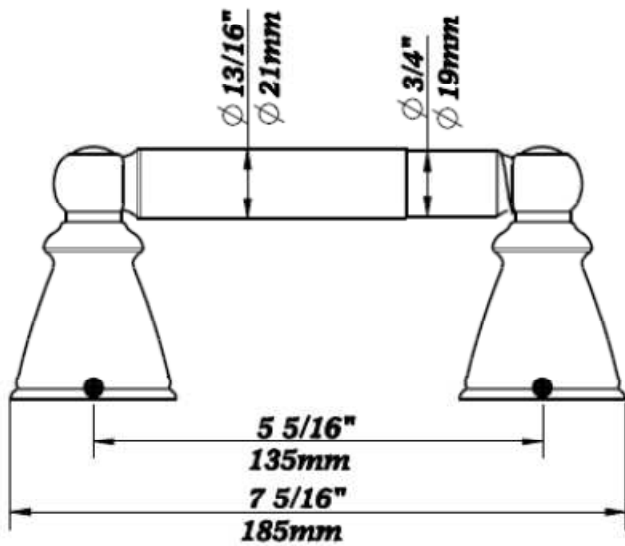


Specifications

Model

- 881213 – Chrome finish
- 412314 – Brushed Nickel finish I
- 412315 – Brass Pop Up finish

Paper holder



Technical Support

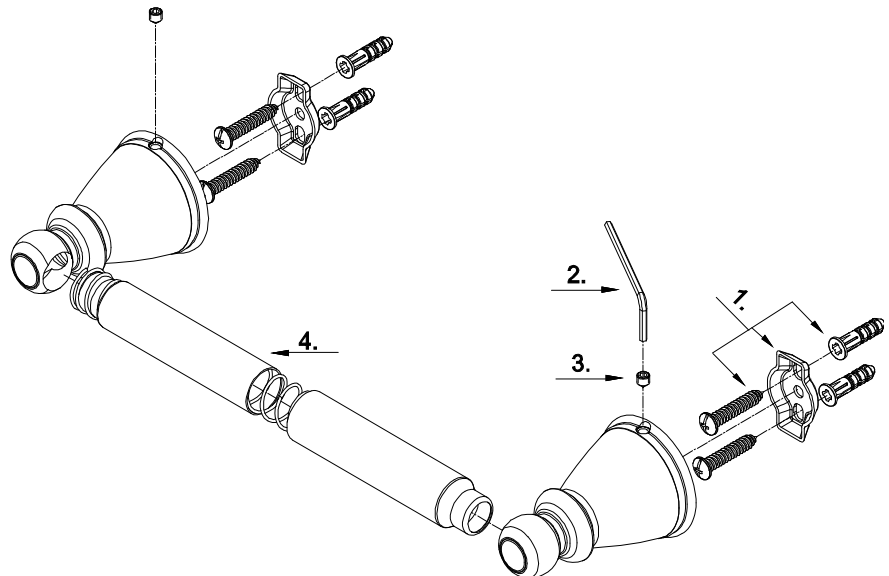
888-328-2383

Manufacturer model#B5431000

Warranty Parts List

Paper holder

#	Description	Part #
1	Holding Hardware	A290572
2	Holding Hardware	A031000
3	Screw (M5* 5.5mm L	A292604
4	Slide Tube	A254268A



Technical Support

888-328-2383

Manufacturer model# B5431000