

Job Name: \_\_\_\_\_  
Location: \_\_\_\_\_  
Contact #: \_\_\_\_\_



# Specifications

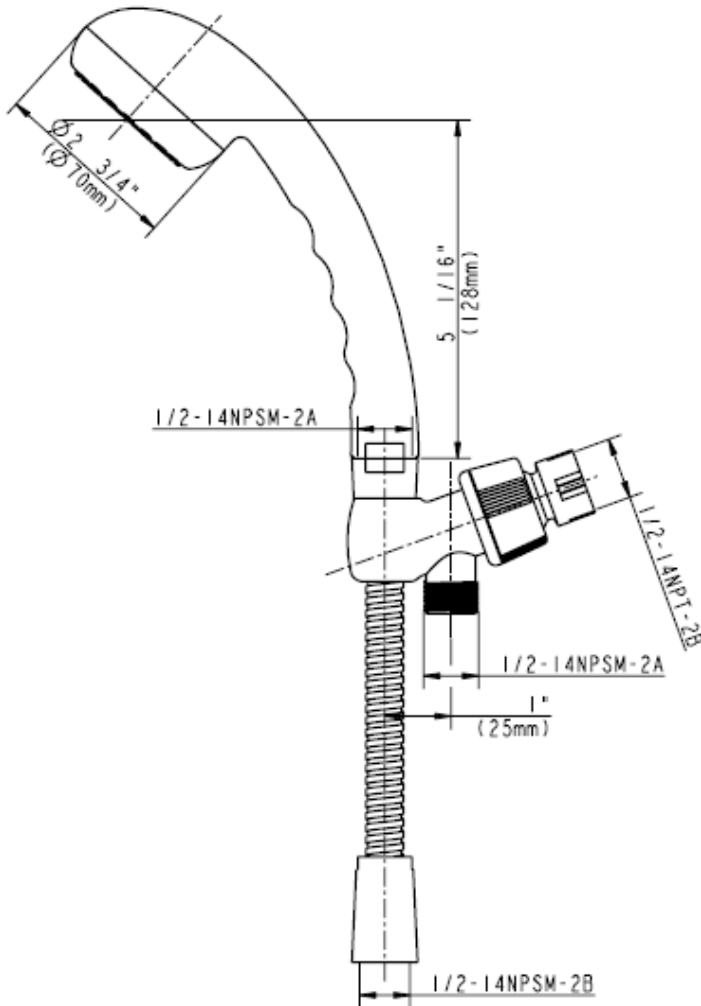
## Model

- 400695—Chrome finish
- 400696—Brushed nickel finish

## One Setting Handheld Showerhead

## Description

- oOne setting handheld showerhead design
- oWith 72" mylar hose and bracket
- o2.5max gpm



Technical Support

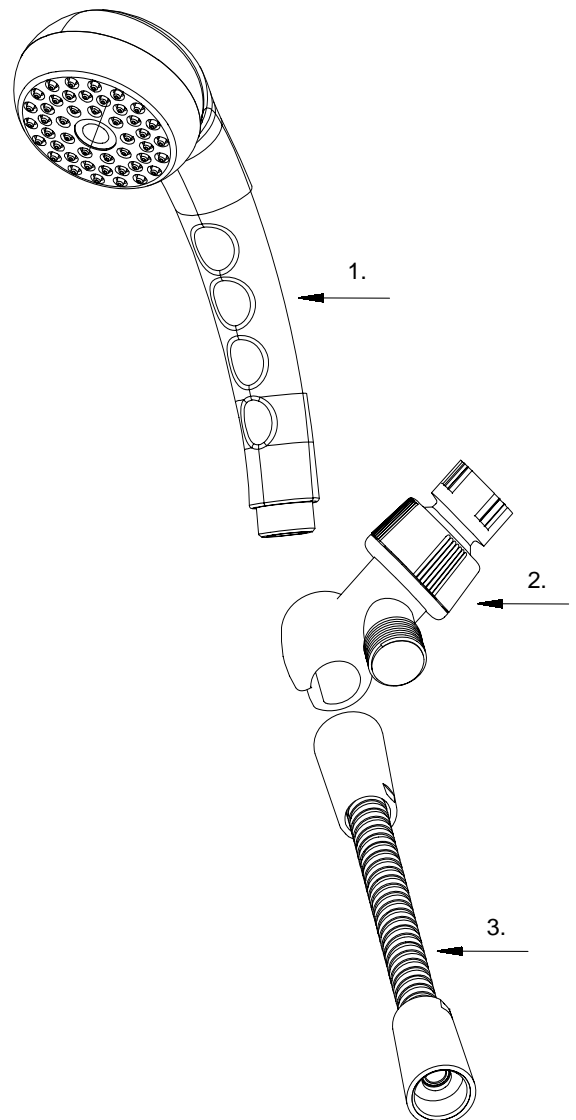
888-328-2383

Manufacturer model# S2215300

# Warranty Parts List

## One Setting Handheld Showerhead

#	Description	Part #
1	hand shower	S2215300
2	shower bracket	A558922
3	hose	A105035



**Technical Support**

888-328-2383

Manufacturer model# S2215300