

Job Name: \_\_\_\_\_  
Location: \_\_\_\_\_  
Contact #: \_\_\_\_\_



## Specifications

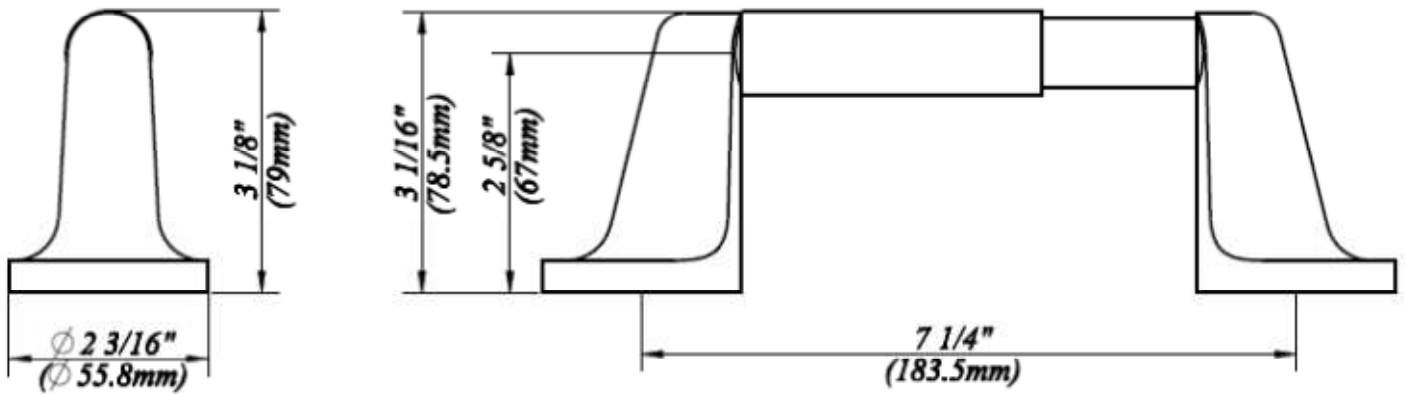
### Model

400677—Brushed nickel finish  
818016—Chrome finish

### Paper Holder

### Description

- o Easy installation
- o Lifetime warranty
- o Metal construction
- o Matching faucet of 400677 is 412379



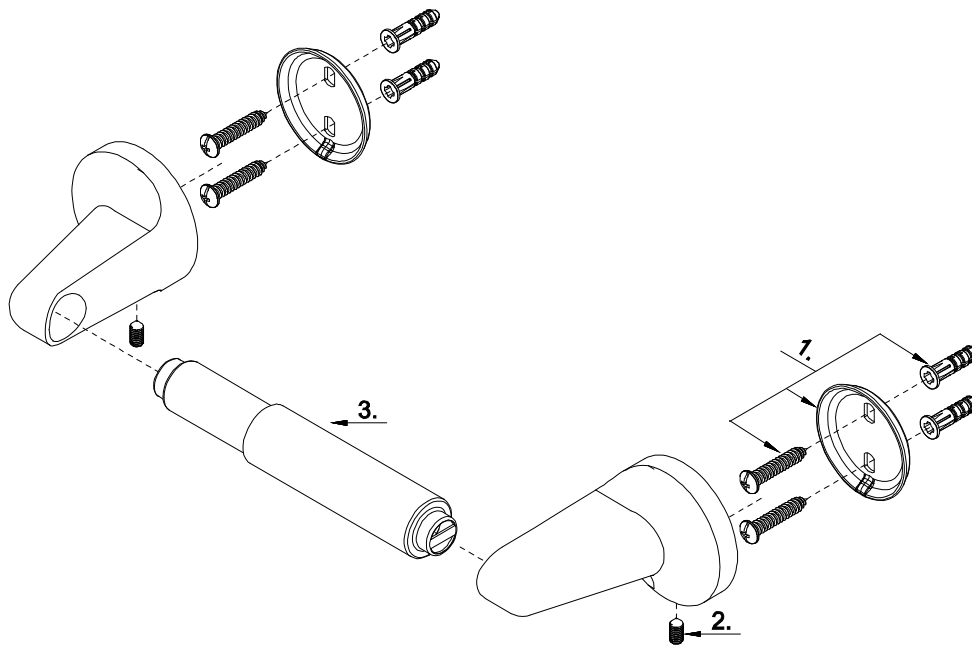
### Technical Support

888-328-2383  
Manufacturer model# B7031000

## Warranty Parts List

### Paper Holder

#	Description	Part #
1	holding hardware	A290552
2	screw ((M5 *10 mm L)	A292401NI
3	slide tube	A251004



**Technical Support**

888-328-2383

Manufacturer model# B7031000