

Job Name: \_\_\_\_\_  
Location: \_\_\_\_\_  
Contact #: \_\_\_\_\_



# Specifications

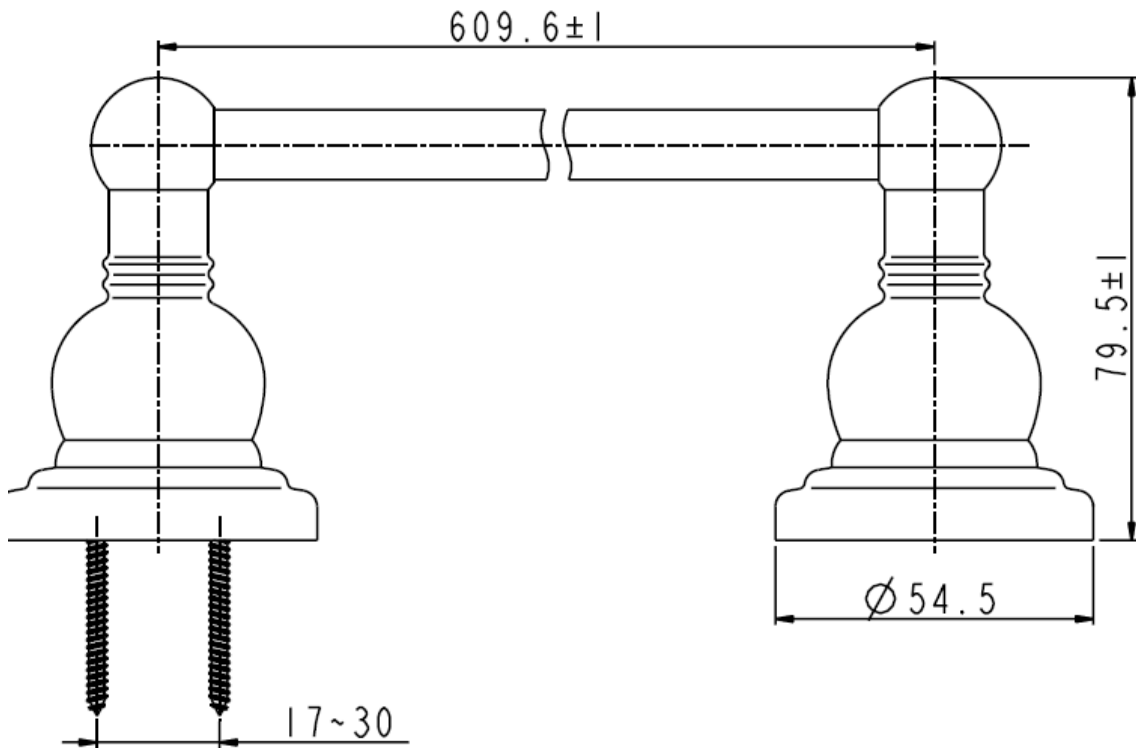
## Model

400668—Chrome finish

**Abbington™**  
**24" Towel Bar**

## Description

- o Easy installation
- o Lifetime warranty
- o Metal construction
- o Matching faucet of 400668 is 412336



**Technical Support**

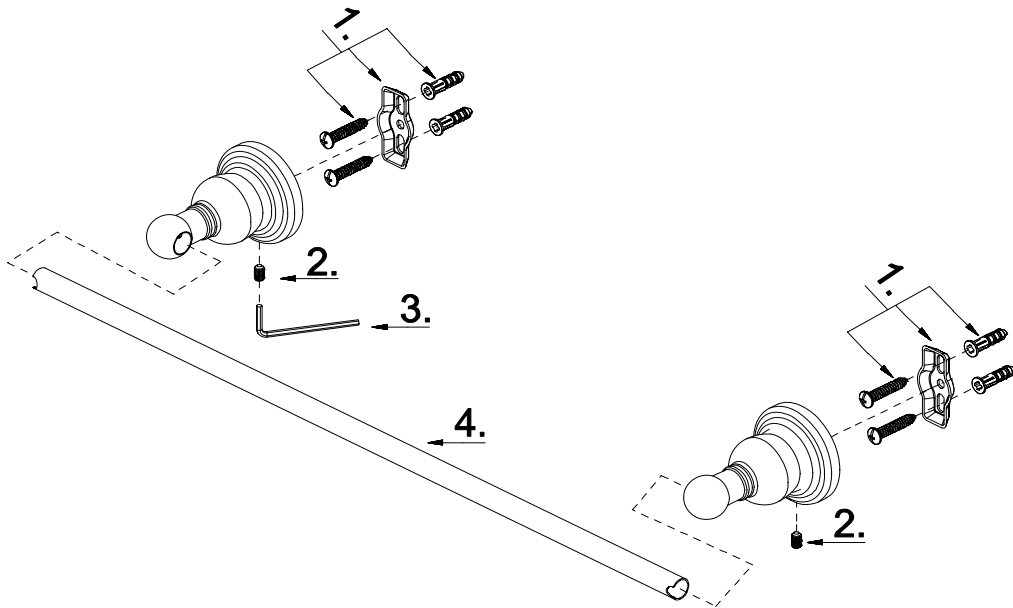
888-328-2383

Manufacturer model# BF101200

# Warranty Parts List

## Abbington™ 24" Towel Bar

#	Description	Part #
1	holding hardware	A290576
2	screw (M5 * 8 mm L)	A075093
3	hex wrench(H2 *19 mm L * 53 mm L)	A031000
4	24" towel bar	A250082



**Technical Support**

888-328-2383

Manufacturer model# BF101200