

Job Name: _____
Location: _____
Contact #: _____



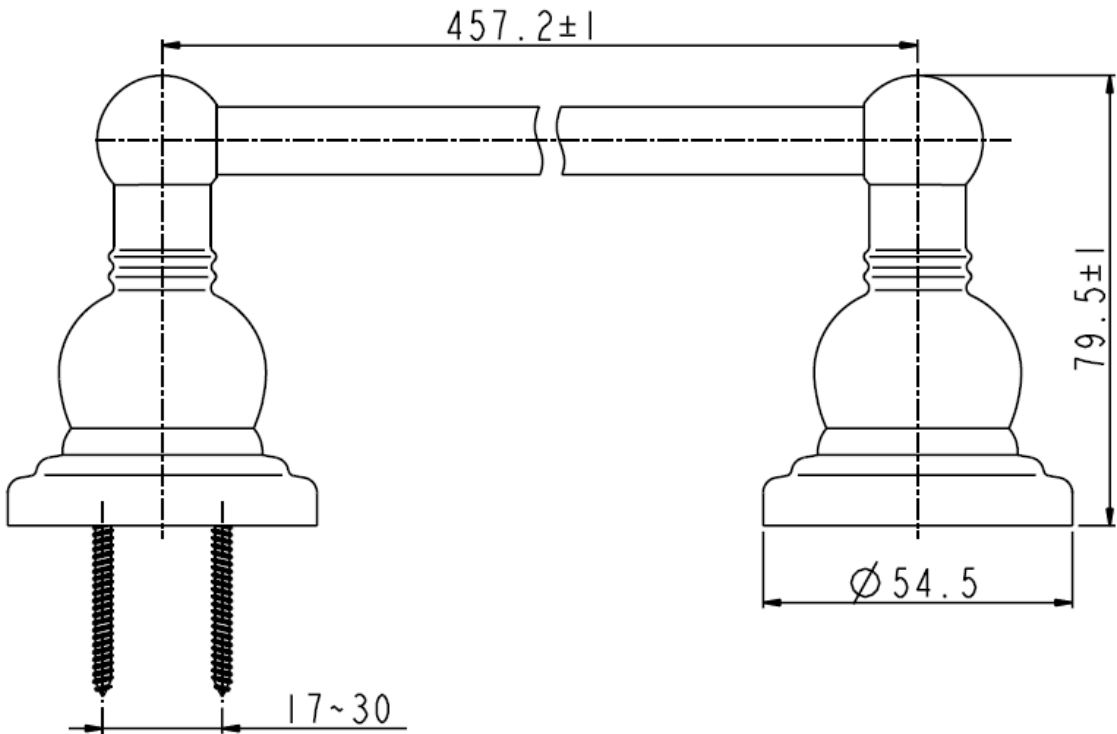
Specifications

Model
400666—Chrome finish

Abbington™
18" Towel Bar

Description

- o Easy installation
- o Lifetime warranty
- o Metal construction
- o Matching faucet of 400666 is 412336



Technical Support

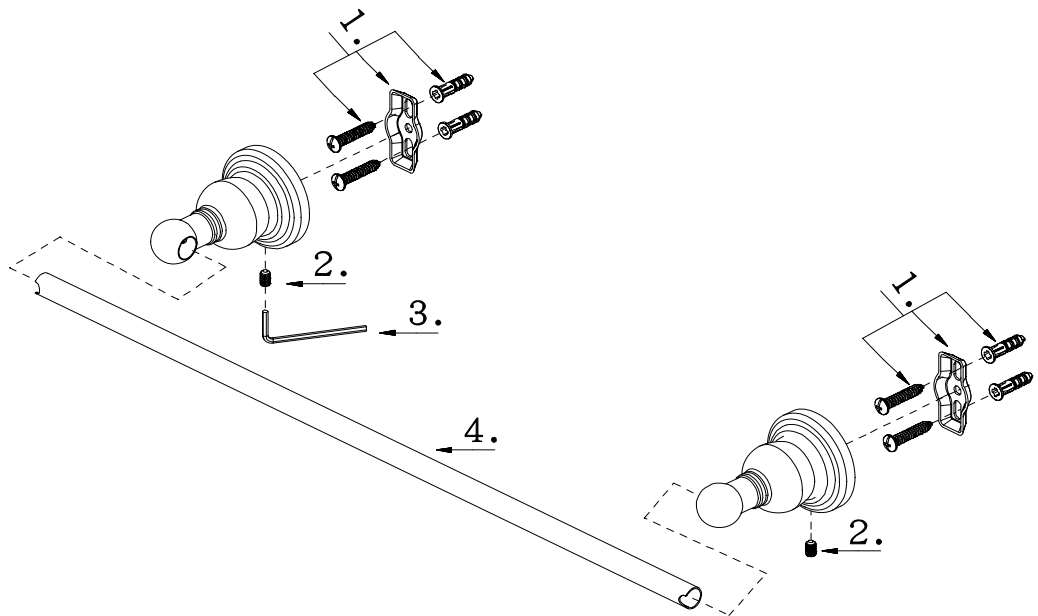
888-328-2383

Manufacturer model# BF101100

Warranty Parts List

Abbington™ 18" Towel Bar

#	Description	Part #
1	holding hardware	A290013
2	screw (M5 * 8 mm L)	A075093
3	hex wrench(H2 *19 mm L * 53 mm L)	A031000
4	18" towel bar	A250052



Technical Support

888-328-2383

Manufacturer model# BF101100