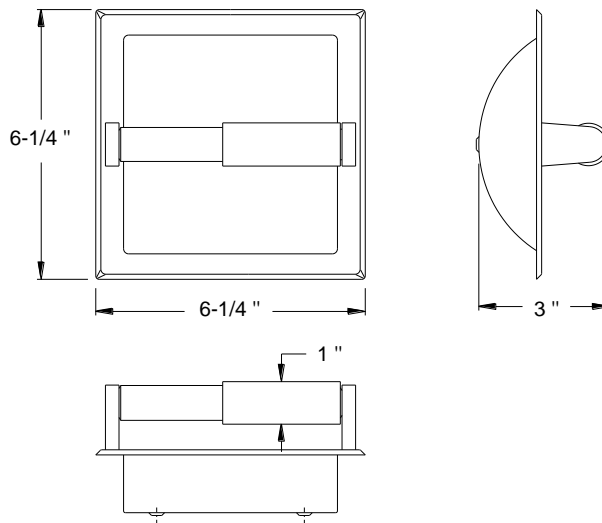


TECHNICAL DATA

SKU 818840

Toilet Paper Holder



MATERIALS: Base - Stainless steel punching
Bars - Plastic Tubing

INSTALLATION: Mount base with supplied fasteners until secure.

OPTIONAL FASTENER INFORMATION:

Wood blocking is preferable behind all wall surfaces. If wood blocking is not available, the following fasteners are suggested: Tile/Masonry - Plastic or Lead Anchors, Plaster/Drywall - Toggle Bolts.

SPECIFICATION: Surface mounted bright polished stainless steel recessed toilet paper holder shall be model 818840.