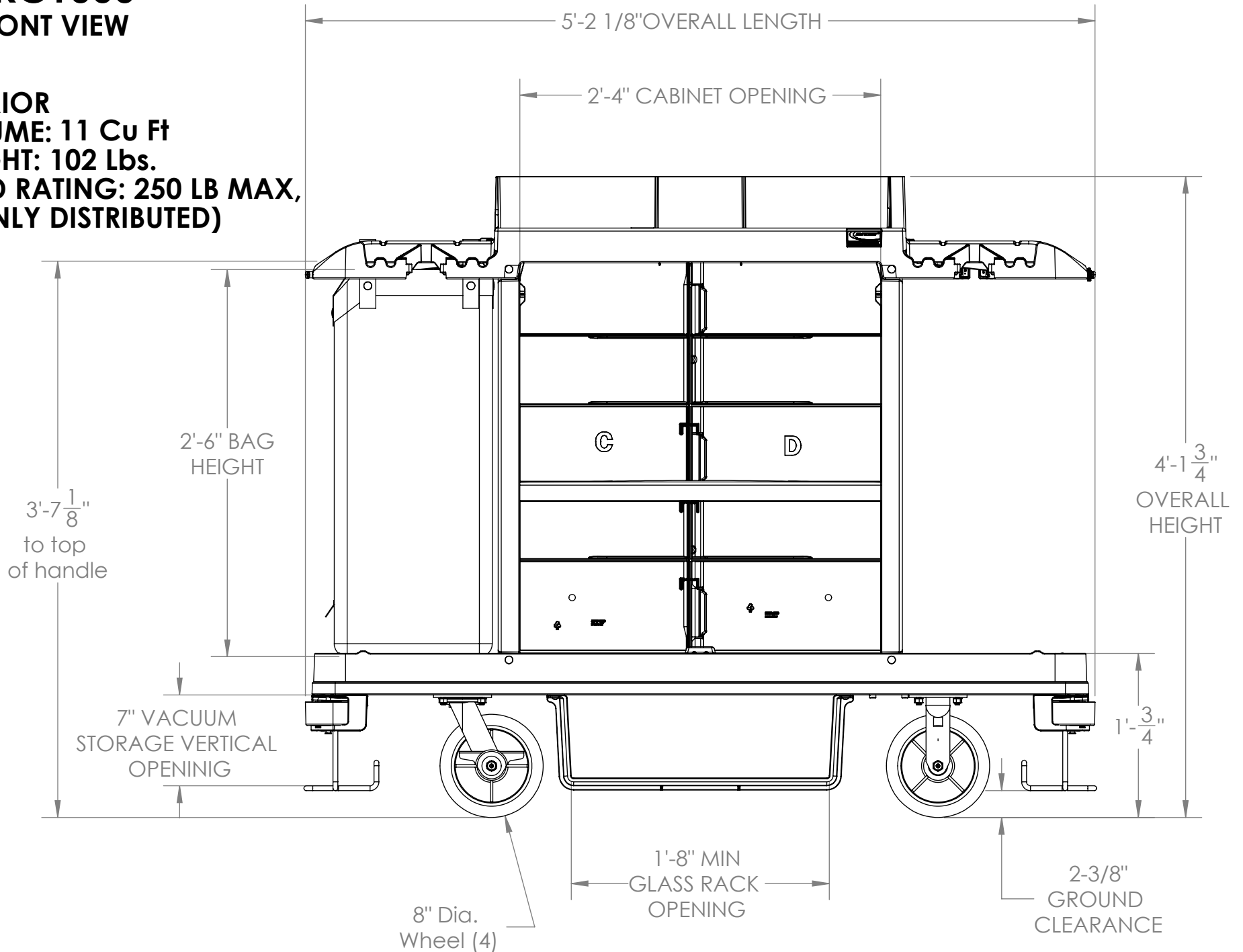


# HKC1000

FRONT VIEW

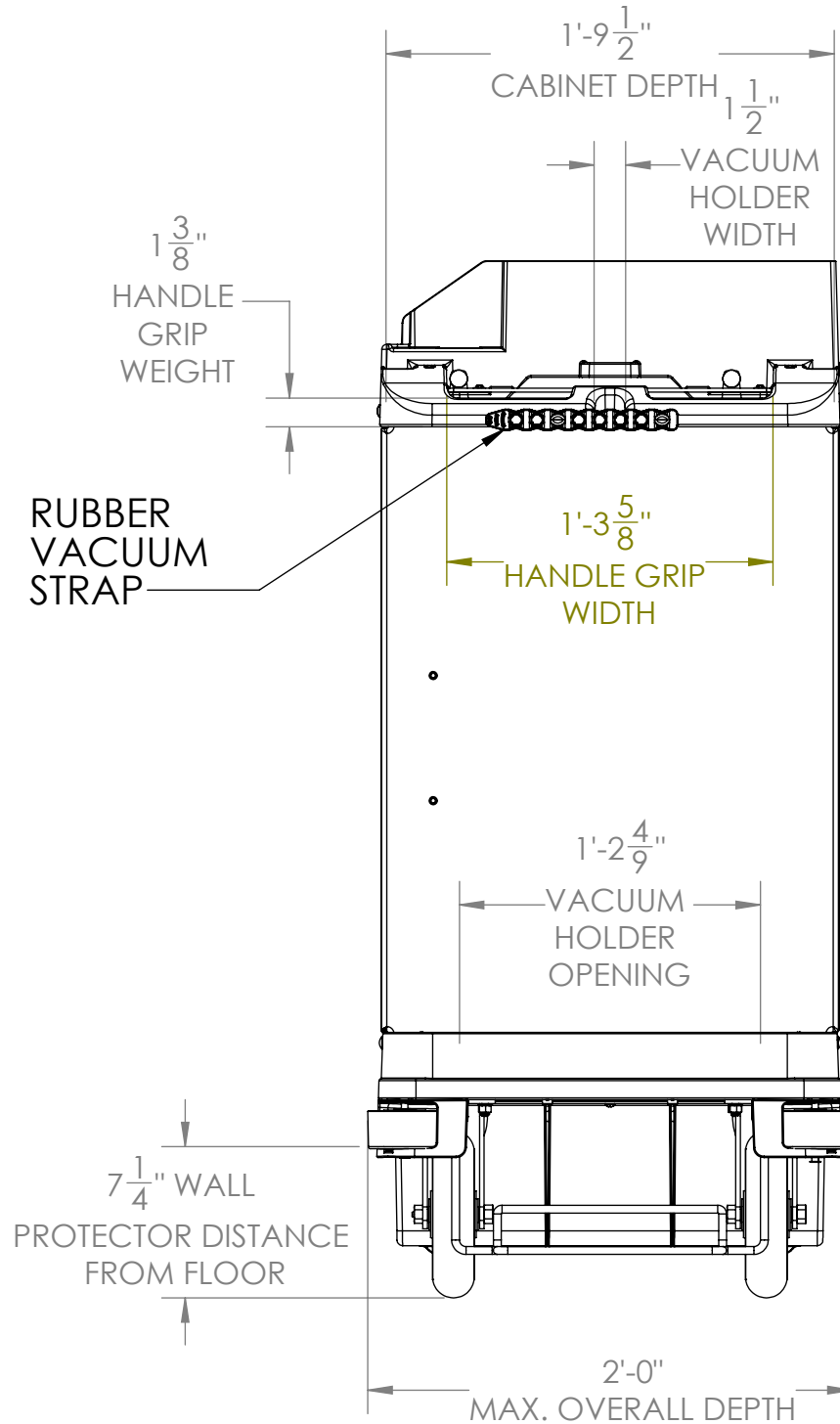
**INTERIOR  
VOLUME: 11 Cu Ft  
WEIGHT: 102 Lbs.  
LOAD RATING: 250 LB MAX,  
(EVENLY DISTRIBUTED)**



REVISION D

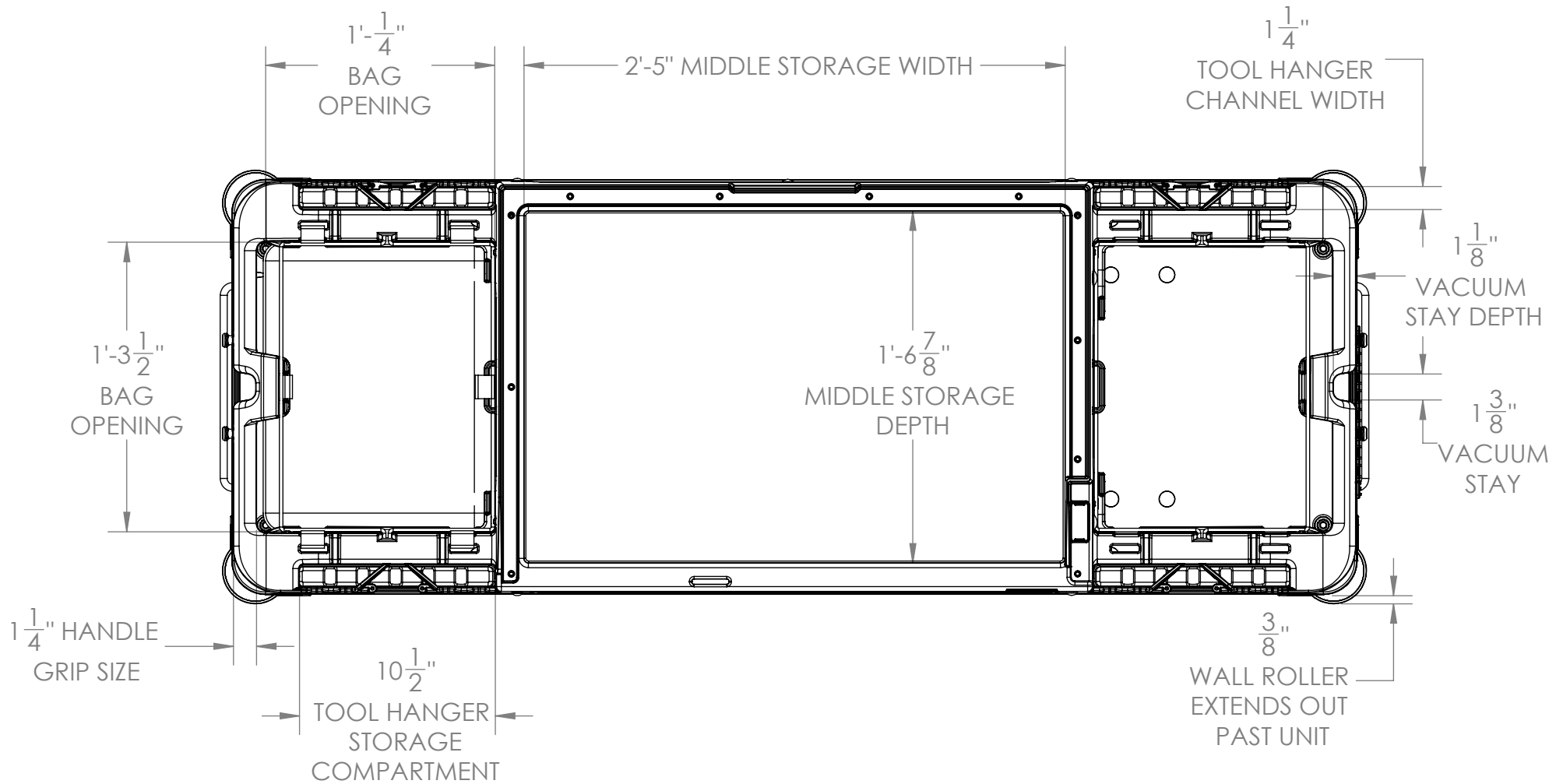
# HKC1000

## SIDE VIEW



REVISION D

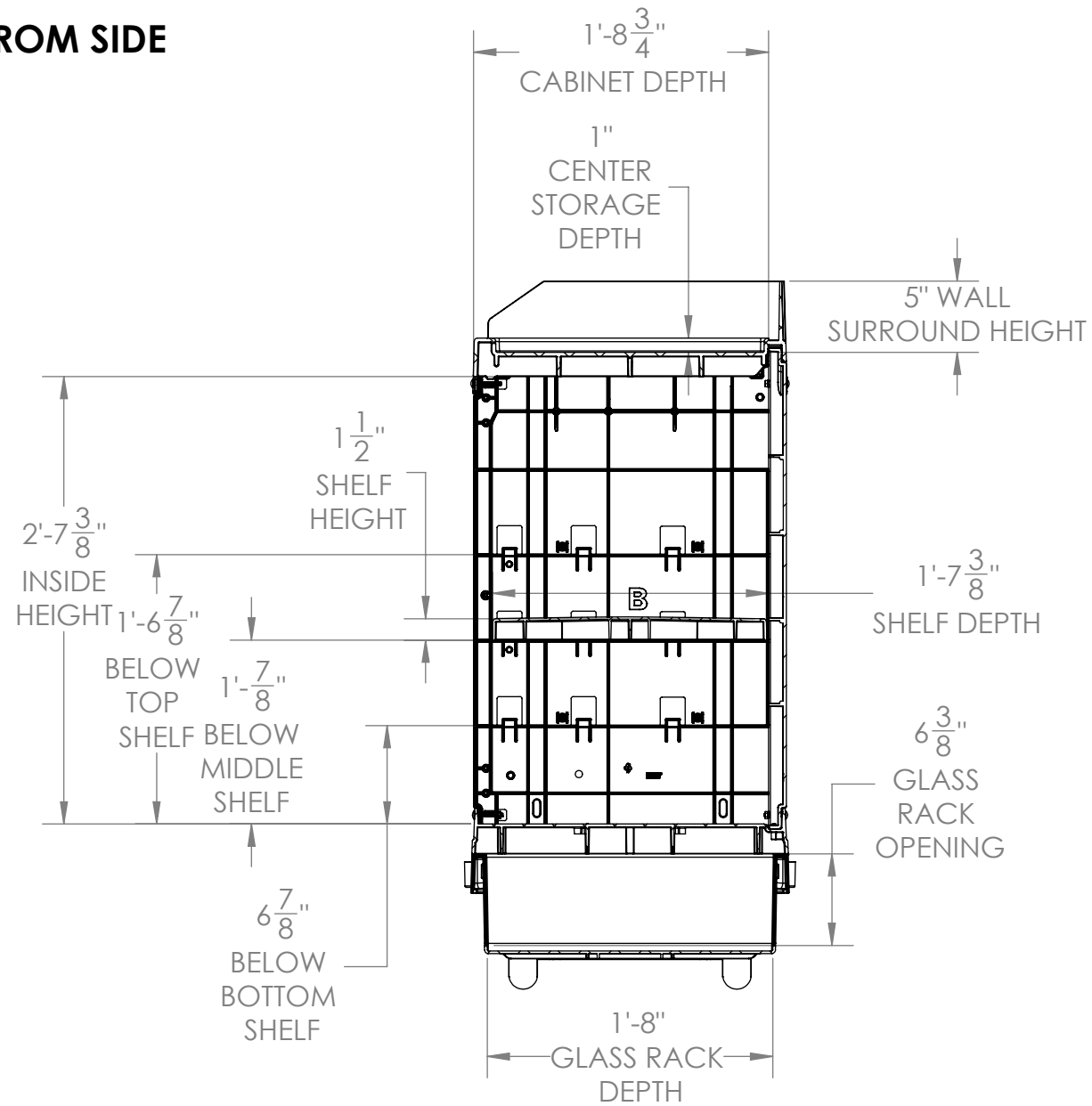
# HKC1000 TOP VIEW



REVISION D

# HKC1000

## SECTION VIEW FROM SIDE



REVISION D