

lifetime limited warranty

Your Drive brand product is warranted to be free of defects in materials and workmanship for the lifetime of the original consumer purchaser.

This device was built to exacting standards and carefully inspected prior to shipment. This Lifetime Limited Warranty is an expression of our confidence in the materials and workmanship of our products and our assurance to the consumer of years of dependable service.

In the event of a defect covered by this warranty, we will, at our option, repair or replace the device.

This warranty does not cover device failure due to owner misuse or negligence, or normal wear and tear. The warranty does not extend to non-durable components, such as rubber accessories, casters, and grips, which are subject to normal wear and need periodic replacement.

If you have a question about your Drive device or this warranty, please contact an authorized Drive dealer.

drive
MEDICAL DESIGN & MANUFACTURING

www.drivemedical.com

“T” style half rails

drive
MEDICAL DESIGN & MANUFACTURING



EU Authorized Representative
Drive International, LLC
Globe Lane - Stuttgart
DUKINFELD SK19 4BE, GB

www.drivemedical.com

drive
MEDICAL DESIGN & MANUFACTURING

© 2006 Medical Depot, Inc. All rights reserved.
Drive is a trademark of Medical Depot, Inc.
Port Washington N.Y. 11050 USA Made in China

bariatric bed rail instructions

Because of the heavier weight limitations associated with the Bariatric Bed, two (2) brown colored side adjustment clamps are shipped with the 15021BV half bed rail. These side adjustment clamps are designed to support heavier weight limitations and **MUST** be used when installing half length bed rails onto the Bariatric Bed. **DO NOT** use the chrome colored side adjustment clamps supplied with the half length bed rail kits, as these will **NOT** support heavier weight limitations and injury or damage may result.

1. Remove the mattress from the bed.
2. Raise the HEAD END of the bed.
3. Remove hardware kit located in the bed rail box and set aside for use in installing the crossbraces.
4. Locate the two (2) mounting holes on the TOP of the pan deck by counting eight (8) rows of holes from the head end of the bed and two (2) holes in from each side of the bed.
5. Locate the two (2) mounting holes in each of the two (2) bed rail mounting brackets on the sides of the bed frame.
6. Align one (1) mounting hole on the TOP of one (1) side adjustment clamp with one (1) of the mounting holes in STEP #5 (DETAIL "A").
7. Secure the side adjustment clamp to the TOP of the pan deck using one (1) LONG bolt and one (1) locknut. Hand tighten ONLY (DETAIL "A").
8. Align the two (2) mounting holes on the side of the side adjustment clamp with two (2) of the mounting holes of the bed rail mounting bracket (DETAIL "B").
9. Secure the side adjustment clamp to the bed rail mounting bracket using two (2) SHORT bolts, spacers and locknut (DETAIL "B"). Hand tighten ONLY.
10. Securely tighten all hardware.
11. Repeat STEPS 7-11 for the opposite side of the bed.

NOTE: When positioning half length bed rails at the foot end of the bed, begin counting from the FOOT end of the bed.

12. When placing half length bed rails on the FOOT END of the bed, raise the FOOT END of the bed and repeat STEPS 4-12 on the bed frame.

14. Install the half length bed rails. Refer to INSTALLING/RAISING/LOWERING THE SIDE RAILS in this instruction sheet.

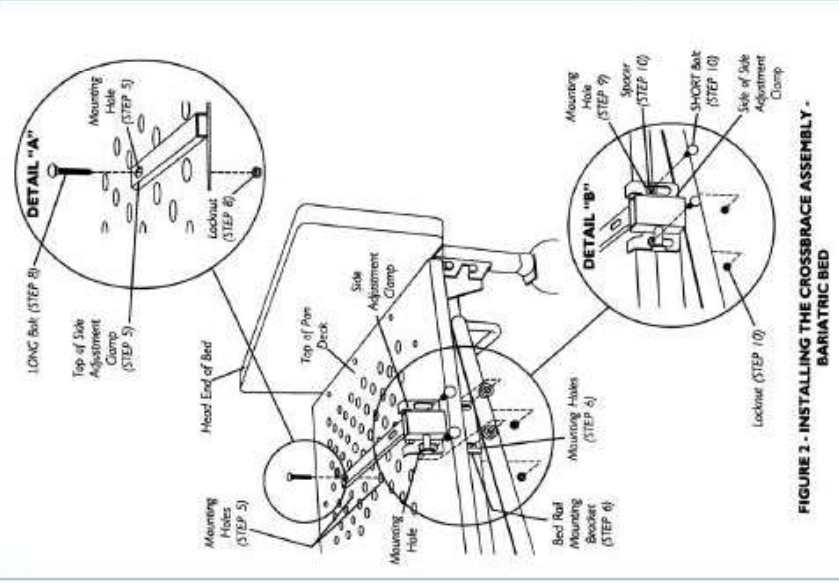
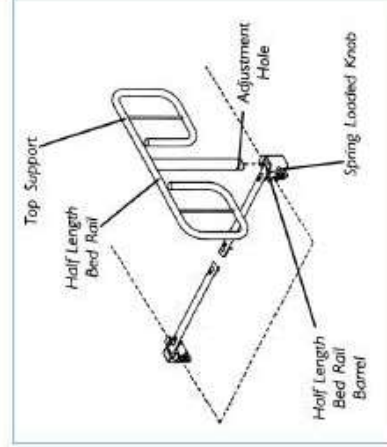


FIGURE 2 - INSTALLING THE CROSSBRACE ASSEMBLY - BARIATRIC BED



warnings

Drive recommends that the mattress be centered on the bed frame. Otherwise, individuals may become entangled between the bed rail and the bed frame.

Physically challenged individuals who **CANNOT** prevent themselves from rolling/climbing out of the manual/electric bed may require alternative safe means or restraint.

After raising/lowering the head/foot end of the manual/electric bed, check the distance between the bottom of the bed rail and the mattress. If there is excessive distance between the bottom of the bed and the mattress in which individuals may become entangled, adjust the height of the bed rail (if applicable), or provide alternative means of patient protection.

instructions continued

1. Pull and hold the spring load knob on the side adjustment clamp assembly.
2. Position the half length bed rail in the half length bed rail barrel.
3. Release the spring loaded knob on the side adjustment clamp assembly.
4. Raise the half length bed rail until the spring loaded knob "clicks" securely into the adjustment hole, or lower the half length bed rail until the top support of the half length bed rail rests securely against the top of the half length bed rail barrel.
5. Repeat steps #1 -5 to install the other half bed rail(s).
6. To raise or lower the half length bed rail, hold the half length bed rail, while pulling the spring loaded knob and repeat step #4 for both half length bed rails.

drive
MEDICAL DESIGN & MANUFACTURING

www.drivemedical.com