

*If you have questions or comments, contact us.  
Pour toute question ou tout commentaire, nous contacter.  
Si tiene dudas o comentarios, contáctenos.*

**1-800-4-DEWALT • [www.dewalt.com](http://www.dewalt.com)**

**INSTRUCTION MANUAL  
GUIDE D'UTILISATION  
MANUAL DE INSTRUCCIONES**

INSTRUCTIVO DE OPERACIÓN, CENTROS DE SERVICIO Y PÓLIZA DE GARANTÍA. **ADVERTENCIA:** LÉASE ESTE INSTRUCTIVO ANTES DE USAR EL PRODUCTO.

**DEWALT®**

**DW7440RS**

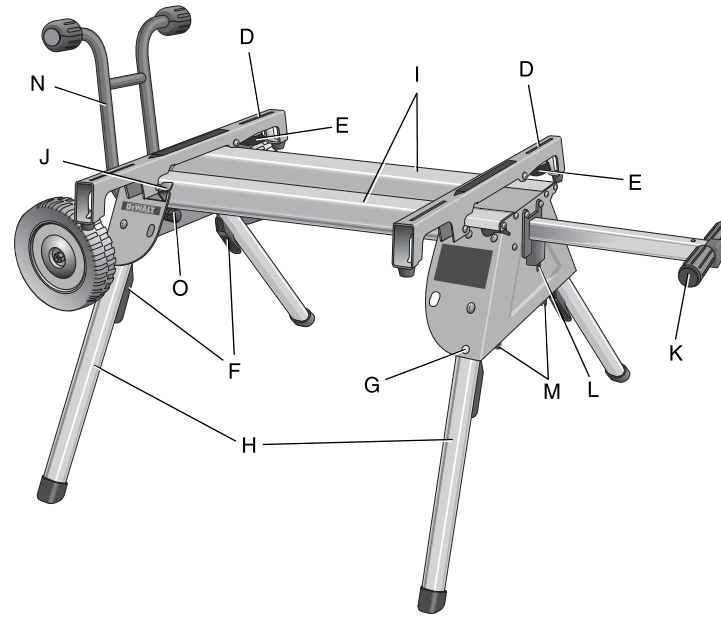
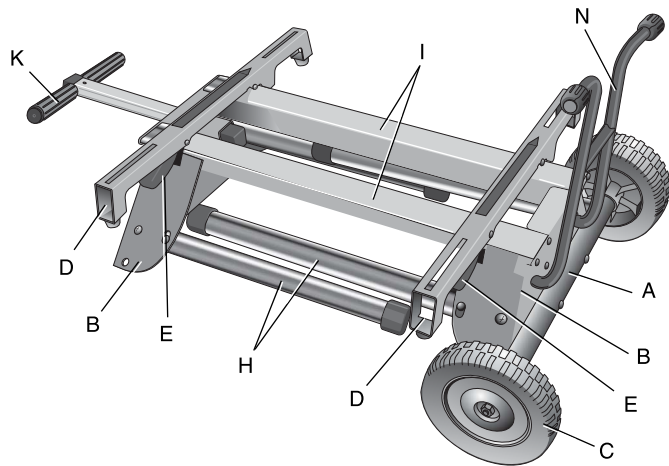
**Heavy-Duty Rolling Table Saw Stand**

**Socle mobile robuste pour table de scie**

**Base rodante para sierra banco, para trabajo pesado**

**DW7440RS**  
**Heavy-Duty Rolling Table Saw Stand**

- |                           |                   |
|---------------------------|-------------------|
| A. Axle                   | I. Beams          |
| B. Leg supports           | J. Locator clip   |
| C. Wheels                 | K. Handle         |
| D. Saw mounting bracket   | L. Handle lock    |
| E. Bracket release levers | M. Rubber bumpers |
| F. Leg release levers     | N. Kickstand      |
| G. Locking pins           | O. Tube plugs     |
| H. Legs                   |                   |



### Definitions: Safety Guidelines

The definitions below describe the level of severity for each signal word. Please read the manual and pay attention to these symbols.

**⚠ DANGER:** Indicates an imminently hazardous situation which, if not avoided, **will** result in **death or serious injury**.

**⚠ WARNING:** Indicates a potentially hazardous situation which, if not avoided, **could** result in **death or serious injury**.

**⚠ CAUTION:** Indicates a potentially hazardous situation which, if not avoided, **may** result in **minor or moderate injury**.

**CAUTION:** Used without the safety alert symbol indicates a potentially hazardous situation which, if not avoided, **may** result in **property damage**.

IF YOU HAVE ANY QUESTIONS OR COMMENTS ABOUT THIS OR ANY DEWALT TOOL, CALL US TOLL FREE AT: 1-800-4-DEWALT (1-800-433-9258)

### DW7440RS Rolling Table Saw Stand with Folding Legs

**⚠ WARNING:** For your own safety, read the table saw instruction manual before using any accessory. Failure to heed these warnings may result in personal injury and serious damage to the table saw and the accessory. When servicing this tool, use only identical replacement parts.

This stand is designed for use with table saws only. The DW7440RS is approved for use with the DW744, DW744X and the DW745 table saws. If you experience a problem with your DEWALT purchase, please call 1-800-4-DEWALT (1-800-433-9258).

### Tools Required

- Phillips screwdriver
- Socket or wrench set

### Contents

- |  |                         |
|--|-------------------------|
| Stand  | Carriage head bolts (2) |
| Mounting brackets (2)  | M8 lock nuts (4)        |
| Wheels (2)   | Rear axle               |
| Rubber bumpers (2)   | M4 screws (2)           |
| Washers (4)  | M4 lock nuts (2)        |
| Kickstand assembly   | M6 screws (4)           |
| Tube plugs (2)   | M4 hex wrench           |
| Saw mounting hardware: hex head bolts (4), washers (8), nuts (4), lock washers (4) |                         |

### General Safety Instructions for Table Saw Accessories

**⚠ WARNING:** To reduce the risk of personal injury:

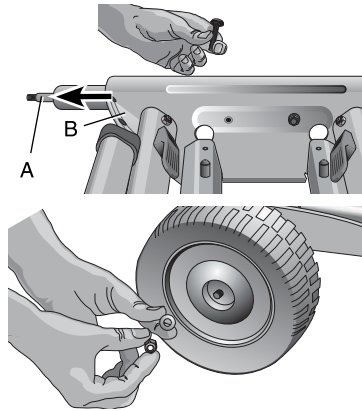
- ALWAYS use eye protection.** All users and bystanders must wear eye protection that conforms to ANSI Z87.1.
- Ensure all stand fasteners are securely fastened and that all stand mechanisms are in proper working order before operating the table saw.
- DO NOT** exceed the weight this stand can hold. The DW7440RS table saw stand is designed to support 150 lbs. (68 kgs.) safely in a work environment. It is unsafe to climb, sit or stand on the stand.

- Follow the mounting instructions carefully. Fasten the tool to the saw mounting brackets securely as instructed.
- **DO NOT** modify or use stand for operations for which it is unintended.
- **DO NOT** use the stand on uneven surfaces. **DO NOT** use the stand with the legs folded and stand sitting on the ground. The stand is designed to be used on a flat, stable surface.

## ASSEMBLY

### Attaching the Wheels and Axle

1. Attach the axle (A) to the leg support (B) by aligning the pre-drilled holes. Ensure the long end of the axle is to the rear of the stand as shown. Secure axle to leg support using two carriage bolts, washers and lock nuts provided.
2. Place the wheels (C) on the axle and secure with washers and lock nuts as shown. Tighten wheel and axle nuts securely.

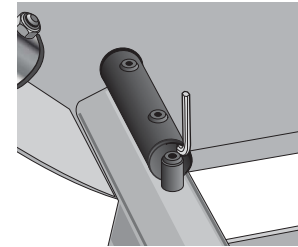
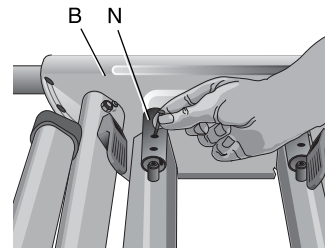
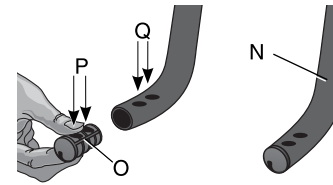


### Attaching the Kickstand

Insert the tube plugs (O) into the end of the kickstand tube (N). The groove in the tube plug should be facing down as shown. Be sure that the holes (P) in the tube plugs are in line with the holes (Q) in the kickstand tube before inserting the tube plugs.

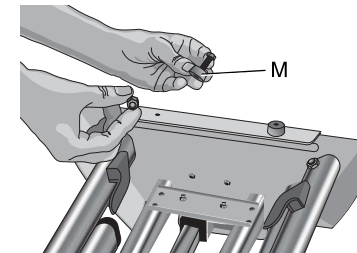
Insert the kickstand tube (N) through the holes in the leg support (B) on the wheel-axle side of the stand. Be sure the kickstand is pointing up when the stand is an upright position. Secure the kickstand to the beams (I) with the four M6 screws provided as shown (below, left).

The hex wrench may be stored in the end of the tube plug as shown for future use.



### Attaching the Rubber Bumpers

Attach the two rubber bumpers (M) to the handle side leg support as shown using the M4 screws and lock nuts provided.



## Table Saw Bracket Mounting

**⚠ WARNING:** To reduce the risk of injury, turn unit off, disconnect machine from power source before assembling the table saw to the table saw stand. An accidental start-up can cause injury.

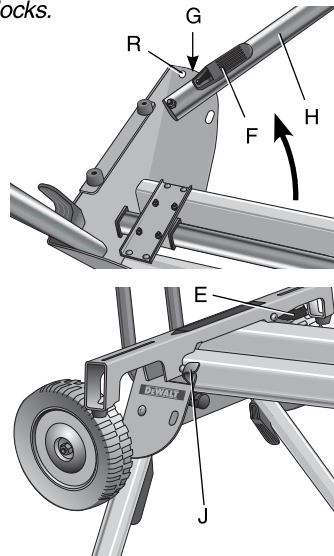
**⚠ WARNING:** For your own safety, read and understand the table saw instruction manual before using. Failure to heed these warnings may result in personal injury and serious damage to the table saw and the accessory.

**⚠ WARNING:** The saw mounting brackets provided with this stand are equipped with lever locks. To reduce the risk of injury, **DO NOT** modify the mounting bracket lever locks.

1. Unfold the legs by depressing the leg release levers (F). Rotate the legs until the locking pin (G) clicks into its detent (R).
2. Turn the stand upright. The stand should be stable and should not rock.

**⚠ WARNING:** Be sure that the locking pins have engaged and the legs are firmly held in place.

3. The locator clip (J) keeps the saw from sliding left or right during cutting operations and during transport. Install the mounting brackets on to the beam as shown by engaging the concave front lip of the



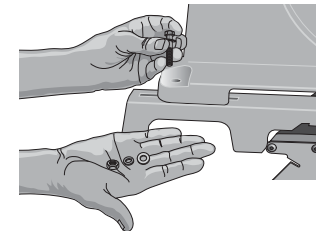
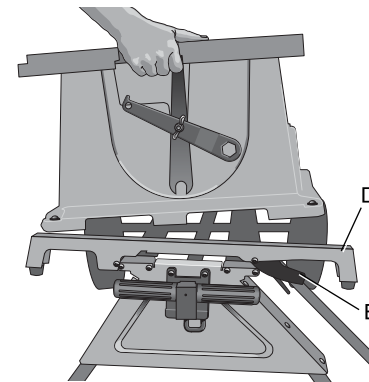
mounting bracket with the rounded front edge of the beam. One of the brackets must engage the locator clip (J). The mounting bracket release levers (E) must be positioned to the rear of the stand as shown.

4. Measure the distance between the mounting holes of the table saw. Position the second mounting bracket onto the beam at this distance from the first mounting bracket.

5. Align the holes in the table saw base with the slots in the saw mounting brackets (D).
6. Feed a hex head bolt with flat washer installed through each of the four holes in the table saw base and mounting brackets. Secure each location with a flat washer, lock washer and nut provided.

**⚠ WARNING:** To reduce the risk of personal injury, be sure the table saw is fully anchored on the stand.

**⚠ WARNING:** The table saw must be positioned on the tool mount so that all four corners can be bolted to the mounting brackets. If the saw is mounted properly, the mounting brackets will be positioned perpendicular to the stand rail when the saw is placed on the stand.



Please call DEWALT customer support at 1-800-4-DEWALT if you need assistance.

### To Detach the Saw from the Stand

**⚠ WARNING:** To reduce the risk of injury, turn unit off, disconnect machine from power source before detaching the table saw from the table saw stand. An accidental start-up can cause injury.

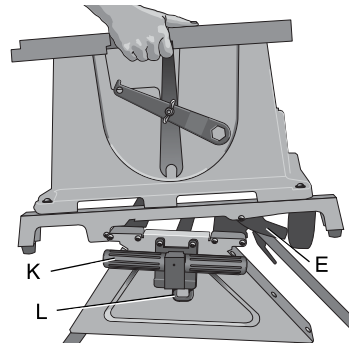
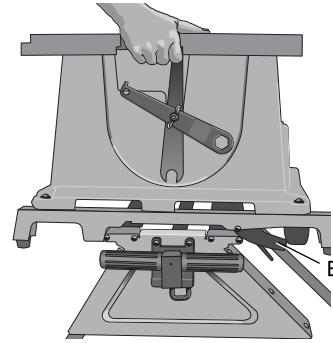
The saw mounting brackets included with the DW7440RS stand are equipped with rubber feet that can support the saw when cutting on a work area without a stand.

#### TO REMOVE THE SAW FOR CARRYING OR FOR USE WITHOUT THE STAND

1. Reach around the sides of the saw and grasp the release levers (E).
2. Pull up slightly to clear the beam and tilt the saw toward you to carry.

#### TO REATTACH THE SAW AND SAW MOUNTING BRACKETS TO THE STAND

1. Grip the table saw table as shown while facing the front of the saw.



2. Position the left-hand side mounting bracket into the locator clip.
3. When the front concave lip of both mounting brackets are engaged with the front round edge of the beam, pivot the saw back and down allowing the release levers (E) to click into place on the rear beam. Rock the saw gently to verify the mounting brackets are locked onto the beams.
4. If the handle (K) has been extended, pull the handle lock (L) down to release the handle and then slide the handle in for storage or saw usage.

#### TO ATTACH DEWALT DW745 TABLE SAW TO THE SAW MOUNTING BRACKETS

1. Remove the front feet bolts and the front rubber feet from the DW745 table saw.
2. Remove the rear feet from the rear frame bar of the saw.
3. Retain these components for future use.
4. Feed a hex head bolt with flat washer installed through each of the four holes in the frame bars where the removed front and rear feet were previously installed. Secure each location with a flat washer, lock washer and nut provided.

**⚠ WARNING:** To reduce the risk of personal injury, **NEVER** use the table saw with the handle extended. An extended handle creates an unsafe work area.

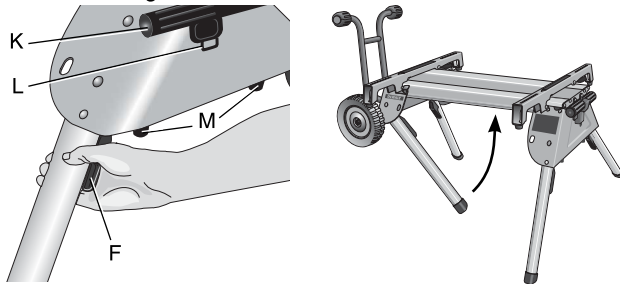
**⚠ WARNING:** To reduce the risk of personal injury, do not hang objects from the handle. The stand may tip when downward force is applied.

#### Transporting the Saw on the Stand

##### COLLAPSING THE STAND FOR TRANSPORT

1. Place one hand under the leg support and hold the legs slightly off the ground.

- Depress the leg release lever (F) with the other hand then push the leg under the beam on the stand. Repeat the operation on the second leg of the stand and rest the stand on wheels.



- Repeat with the other end of the stand.
- Pull the extendable handle (K) out of the side of the stand. The spring-loaded handle lock (L) will lock the handle into position for transporting the saw on the stand. Pull the handle lock down to release the handle and then slide the handle in for storage.

**⚠ WARNING:** To reduce the risk of personal injury, **DO NOT** operate the table saw mounted to the stand with the legs folded and the stand sitting on the ground.

### **To Raise Stand from Collapsed Position**

Roll the stand to the workspace. Be sure the area is flat and stable before attempting to set up the saw and stand.

- Tilt up the stand until the saw is at a 45 degree angle.
- Depress the leg release levers one at a time to release the locking pins and pull the front legs out until each locking pin clicks into the detent.

**⚠ WARNING:** Be sure that the locking pins have engaged and the legs are firmly held in place.

- Rest the stand on the legs.
- Depress the handle lock to release the handle. Slide the handle into the leg support for storage as you work.
- Go to the opposite side of the stand and grasp the saw under the rear axle. Lift the saw and stand.
- Reach under the stand and, one at a time, depress the leg release levers to release the locking pins. Pull out the remaining two legs. Be sure that the locking pins have engaged and the legs are firmly held in place. Rest the stand on the ground.

### **Accessories**

**⚠ WARNING:** Since accessories, other than those offered by DEWALT, have not been tested with this product, use of such accessories with this tool could be hazardous. To reduce the risk of serious injury, place stand on flat, stable surface. **DO NOT** create unstable conditions.

Recommended accessories for use with your tool are available at extra cost from your local dealer or authorized service center. If you need assistance in locating any accessory, please contact DEWALT Industrial Tool Co., 701 East Joppa Road, Baltimore, MD 21286, call 1-800-4-DEWALT (1-800-433-9258) or visit our website [www.dewalt.com](http://www.dewalt.com).

### **Repairs**

To assure product SAFETY and RELIABILITY, repairs, maintenance and adjustments should be performed by a DEWALT factory service center, a DEWALT authorized service center or other qualified service personnel. Always use identical replacement parts.

### Three Year Limited Warranty

DEWALT will repair, without charge, any defects due to faulty materials or workmanship for three years from the date of purchase. This warranty does not cover part failure due to normal wear or tool abuse. For further detail of warranty coverage and warranty repair information, visit [www.dewalt.com](http://www.dewalt.com) or call 1-800-4-DEWALT (1-800-433-9258). This warranty does not apply to accessories or damage caused where repairs have been made or attempted by others. This warranty gives you specific legal rights and you may have other rights which vary in certain states or provinces.

In addition to the warranty, DEWALT tools are covered by our:

#### 1 YEAR FREE SERVICE

DEWALT will maintain the tool and replace worn parts caused by normal use, for free, any time during the first year after purchase.

#### 90 DAY MONEY BACK GUARANTEE

If you are not completely satisfied with the performance of your DEWALT Power Tool, Laser, or Nailer for any reason, you can return it within 90 days from the date of purchase with a receipt for a full refund – no questions asked.

**LATIN AMERICA:** This warranty does not apply to products sold in Latin America. For products sold in Latin America, see country specific warranty information contained either in the packaging, call the local company or see website for warranty information.

**FREE WARNING LABEL REPLACEMENT:** If your warning labels become illegible or are missing, call 1-800-4-DEWALT for a free replacement.

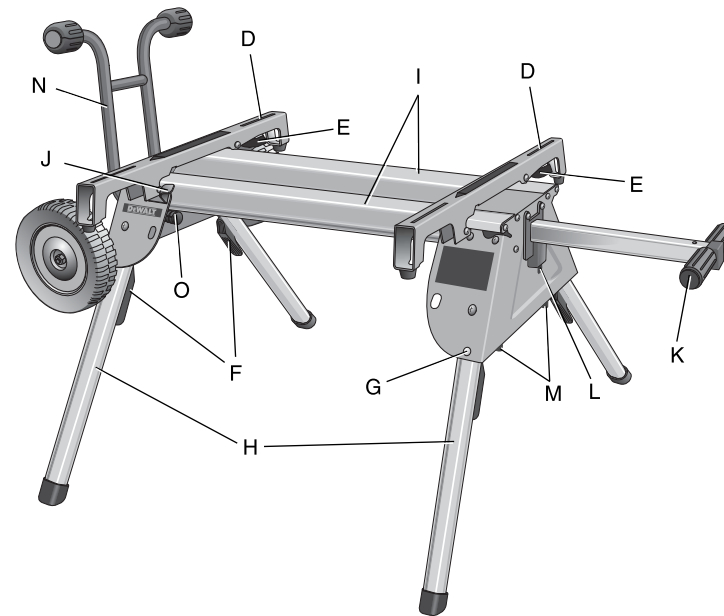
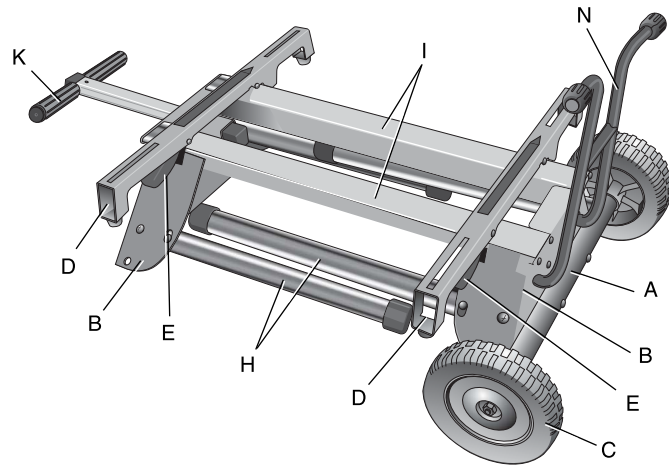
<b>AVVERTENZA</b>	<b>DW0744RS MOUNTING BRACKET</b>	<b>AVVERTENZA</b> LEA LAS INSTRUCCIONES ANTES DE UTILIZARLA. MONTEE CORRECTAMENTE PARA EVITAR LESIONES. LEA LAS INSTRUCCIONES ANTES DE UTILIZARLA. MONTEE CORRECTAMENTE PARA EVITAR LESIONES. LEA LAS INSTRUCCIONES ANTES DE UTILIZARLA. MONTEE CORRECTAMENTE PARA EVITAR LESIONES.	<b>AVERTISSEMENT</b> LIRE LE MODE D'EMPLOI AVANT D'UTILISER LE PRODUIT. FAUCONNEZ LE PRODUIT CORRECTEMENT POUR EVITER LES BLESSURES. LIRE LE MODE D'EMPLOI AVANT D'UTILISER LE PRODUIT. FAUCONNEZ LE PRODUIT CORRECTEMENT POUR EVITER LES BLESSURES. LIRE LE MODE D'EMPLOI AVANT D'UTILISER LE PRODUIT. FAUCONNEZ LE PRODUIT CORRECTEMENT POUR EVITER LES BLESSURES.
	<b>WARNING</b>	<b>WARNING</b> READ THE INSTRUCTIONS BEFORE USE. ALWAYS MOUNT CORRECTLY TO AVOID INJURY. READ THE INSTRUCTIONS BEFORE USE. ALWAYS MOUNT CORRECTLY TO AVOID INJURY. READ THE INSTRUCTIONS BEFORE USE. ALWAYS MOUNT CORRECTLY TO AVOID INJURY.	<b>AVERTISSEMENT</b> LIRE LE MODE D'EMPLOI AVANT D'UTILISER LE PRODUIT. FAUCONNEZ LE PRODUIT CORRECTEMENT POUR EVITER LES BLESSURES. LIRE LE MODE D'EMPLOI AVANT D'UTILISER LE PRODUIT. FAUCONNEZ LE PRODUIT CORRECTEMENT POUR EVITER LES BLESSURES. LIRE LE MODE D'EMPLOI AVANT D'UTILISER LE PRODUIT. FAUCONNEZ LE PRODUIT CORRECTEMENT POUR EVITER LES BLESSURES.

<b>DW7440RS TABLE SAW STAND</b>	<b>FRONT</b>
<b>WARNING</b> TO REDUCE THE RISK OF INJURY, READ THE TOOL STAND AND TOOL INSTRUCTION MANUAL BEFORE USE. DO NOT USE WITH PORTABLE TABLE SAW UNLESS YOU HAVE ALTERED THIS STAND IN ANY MANNER. ALWAYS USE WITH PORTABLE TABLE SAW UNLESS YOU HAVE ALTERED THIS STAND IN ANY MANNER. ALWAYS USE WITH PORTABLE TABLE SAW UNLESS YOU HAVE ALTERED THIS STAND IN ANY MANNER.	
<b>AVVERTENZA</b> ANTES DE USAR, LEA EL MANUAL DE INSTRUCCIONES DE LA HERRAMIENTA Y DE LA BASE PARA CONECTARLA. NO UTILICE ESTE ESTANDE DE NINGUNA MANERA, AUNQUE LA BASE SEA PORTATIL, SI NO SE HA MODIFICADO. SIEMPRE UTILICE ESTE ESTANDE CON LA BASE PORTATIL SI NO SE HA MODIFICADO. SIEMPRE UTILICE ESTE ESTANDE CON LA BASE PORTATIL SI NO SE HA MODIFICADO.	
<b>AVERTISSEMENT</b> POUR RÉDUIRE LE RISQUE DE BLESSURES, LIRE LE MODE D'EMPLOI DU SCIEUSE À TABLE ET LE MANUEL D'INSTRUCTION DE LA SCIEUSE À TABLE. NE PAS UTILISER LA SCIEUSE À TABLE SUR CE SUPPORT À MONTAGE À LA BASE SAUF SI LA SCIEUSE À TABLE A ÉTÉ MODIFIÉE. TOUJOURS UTILISER CE SUPPORT AVEC LA SCIEUSE À TABLE SI LA SCIEUSE À TABLE N'EST PAS MODIFIÉE. TOUJOURS UTILISER CE SUPPORT AVEC LA SCIEUSE À TABLE SI LA SCIEUSE À TABLE N'EST PAS MODIFIÉE.	
DE PATE. NO. 703484. 000221. 04/05/11. 000000. POC. PERINO. DEWALT INDUSTRIAL TOOL CO. 9941 TORONTO, ONT. CANADA. L1P 9V1. 1.8. FOR SERVICE INFORMATION, CALL 1-800-DEWALT. www.DEWALT.com	



**DW7440RS**  
**Socle mobile robuste pour table de scie**

- |                                      |                                       |
|--------------------------------------|---------------------------------------|
| A. Essieu                            | I. Travées                            |
| B. Supports de pattes                | J. Attache de positionnement          |
| C. Roues                             | K. Poignée                            |
| D. Rainures des supports de fixation | L. Mécanisme de blocage de la poignée |
| E. Leviers de verrouillage           | M. Amortisseurs en caoutchouc         |
| F. Leviers de dégagement de la patte | N. Béquille                           |
| G. Goupilles de blocage              | O. Capuchons de tube                  |
| H. Pattes                            |                                       |



**Français**

### Définitions : lignes directrices en matière de sécurité

Les définitions ci-dessous décrivent le niveau de danger pour chaque mot-indicateur employé. Veuillez lire le mode d'emploi et porter une attention particulière à ces symboles.

**▲DANGER** : indique une situation dangereuse imminente qui, si elle n'est pas évitée, causera la mort ou des blessures graves.

**▲AVERTISSEMENT** : indique une situation potentiellement dangereuse qui, si elle n'est pas évitée, pourrait se solder par un décès ou des blessures graves.

**▲MISE EN GARDE** : indique une situation potentiellement dangereuse qui, si elle n'est pas évitée pourrait se solder par des blessures mineures ou modérées.

**MISE EN GARDE** : utilisé sans le symbole d'alerte à la sécurité, indique une situation potentiellement dangereuse qui, si elle n'est pas évitée pourrait se solder par des dommages à la propriété.

POUR TOUTES QUESTIONS OU COMMENTAIRES RELATIFS À L'OUTIL OU À PROPOS DE TOUT AUTRE OUTIL DEWALT, COMPOSER SANS FRAIS LE : 1 (800) 4-DEWALT (1 (800) 433-9258)

### DW7440RS Socle mobile pour table de scie à pattes pliantes

**▲AVERTISSEMENT** : pour votre propre sécurité, lire le mode d'emploi de la scie de table avant d'utiliser tout accessoire. Négliger de se conformer à ces avertissements pourrait se solder par des

blessures corporelles et des dommages importants à la scie de table et à l'accessoire. Pour la réparation de cet outil, n'utiliser que des pièces de rechange identiques.

Ce socle est conçu pour une utilisation uniquement avec des scies de table. Le modèle DW7440RS est homologué pour une utilisation avec les scies de table DW744, DW744X et DW745. Pour tout problème avec votre achat DEWALT, composer le 1-800-4-DEWALT (1-800-433-9258).

### Outils requis

Tournevis cruciforme

Jeu de clés ou de douilles

### Contenu

Socle	(2) boulons de carrosserie
(2) supports de fixation	(4) contre-écrous M8
(2) roues	Essieu arrière
(2) amortisseurs en caoutchouc	(2) vis M4
(4) rondelles	(2) contre-écrous M4
Béquille	(4) vis M6
(2) capuchons de tube	Clé hexagonale M4
Quincaillerie d'assemblage pour la scie : (4) boulons à tête hexagonale, (8) rondelles, (4) écrous, (4) rondelles de blocage	

### Consignes de sécurité générales relatives aux accessoires de la scie de table

**▲AVERTISSEMENT** : pour réduire le risque de blessures :

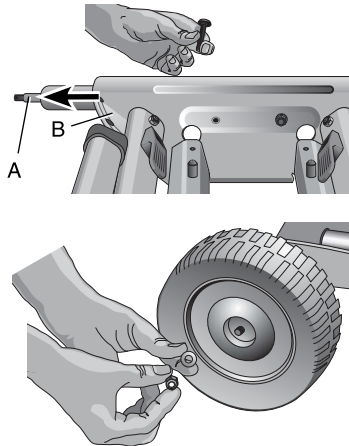
- **TOUJOURS** porter une protection oculaire. Tous les utilisateurs et toutes les personnes à proximité doivent porter une protection oculaire conforme à la norme ANSI Z87.1.

- Avant d'utiliser la scie de table, s'assurer que toute la quincaillerie du socle soit bien serrée et que tous les mécanismes du socle fonctionnent correctement.
- **NE PAS** dépasser la capacité (poids supporté) du socle. Le socle DW7440RS de la scie de table supporte jusqu'à 68 kg (150 lb) de façon sécuritaire dans un environnement de travail. Il est imprudent de grimper, s'asseoir ou de se tenir sur le socle.
- Respecter attentivement les directives d'assemblage. Fixer solidement l'outil aux supports de fixation comme indiqué.
- **NE PAS** modifier ou utiliser le socle pour des fonctions auxquelles il n'est pas conçu.
- **UTILISER** le socle sur des surfaces régulières (égales). **NE PAS** utiliser le socle avec les pattes repliées et le socle directement posé sur le sol. Il est conçu pour une utilisation sur une surface plane et stable.

## ASSEMBLAGE

### Fixation de l'essieu et des roues

1. Fixer l'essieu (A) au support des pattes (B) en l'alignant avec les trous prépercés. S'assurer que l'extrémité la plus longue de l'essieu est à l'arrière du socle comme indiqué. Utiliser les deux boulons de carrosserie, les rondelles et les contre-écrous fournis pour fixer solidement l'essieu au support des pattes.

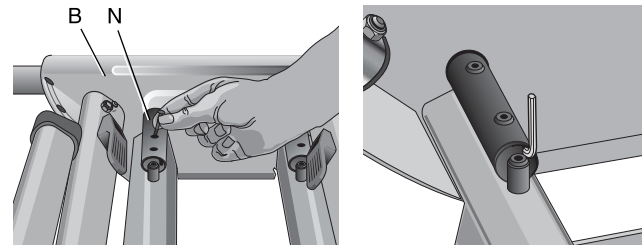
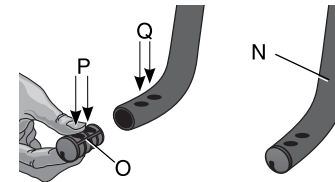


2. Enfiler les roues (C) sur l'essieu et les fixer solidement avec les rondelles et les contre-écrous comme indiqué. Serrer solidement tous les écrous des roues et de l'essieu.

### Fixation de la béquille

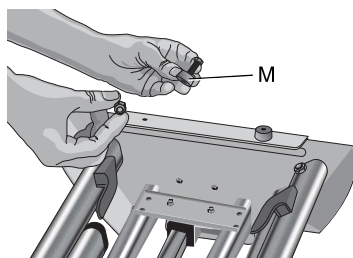
Insérer les capuchons de tube (O) à l'extrémité du tube de la béquille (N). La rainure pratiquée dans le capuchon du tube doit faire face vers le bas comme montré. S'assurer que les trous (P) des capuchons de tube sont alignés avec ceux (Q) du tube de la béquille avant d'insérer les capuchons de tube.

Insérer le tube (N) de la béquille dans les trous du support de patte (B) de l'essieu du côté du socle. S'assurer que la béquille pointe vers le haut lorsque le socle est en position verticale (sur ses pattes). Fixer solidement la béquille aux travées (I) au moyen des quatre vis M6 fournies comme montré (ci-dessous, à gauche). Il est possible de ranger la clé hexagonale dans l'extrémité du capuchon de tube, pour une utilisation ultérieure.



### Fixation des amortisseurs en caoutchouc

Avec les vis et les contre-écrous fournis, assembler les deux amortisseurs en caoutchouc (M) sur le support de patte du côté de la poignée comme indiqué au moyen des vis M4.



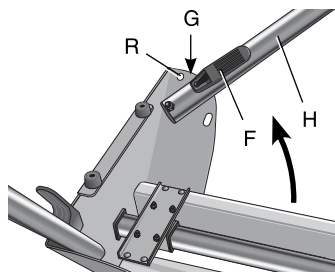
### Fixation des supports destinés à la scie de table

**⚠ AVERTISSEMENT :** pour réduire le risque de blessure, éteindre l'outil et le débrancher avant de fixer la scie de table sur son socle. Un démarrage accidentel peut provoquer des blessures.

**⚠ AVERTISSEMENT :** pour votre propre sécurité, lire et assimiler le mode d'emploi de la scie de table avant de l'utiliser. Négliger de se conformer à ces avertissements pourrait se solder par des blessures et des dommages importants à la scie de table et à l'accessoire.

**⚠ AVERTISSEMENT :** les supports de fixation de la scie fournis avec ce socle sont dotés de leviers de verrouillage. Pour réduire le risque de blessure, **NE PAS** modifier le levier de verrouillage du support de fixation.

1. Enfoncer les leviers de dégagement (F) des pattes pour les déployer. Faire

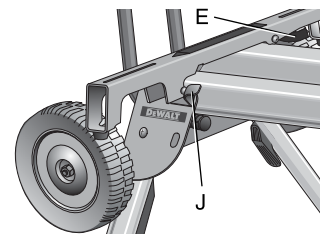


pivoter les pattes jusqu'à ce que la goupille de blocage (G) s'enclenche dans son cran (R).

2. Remettre le socle sur ses pattes. Le socle devrait être stable sans balancements. Vérifier les pattes.

**⚠ AVERTISSEMENT :** vérifier l'enclenchement correct des goupilles de blocage des pattes et si celles-ci sont solidement en position.

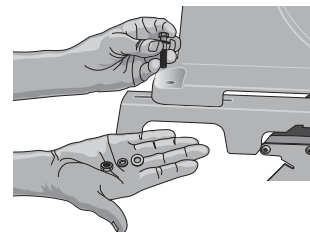
3. L'attache de positionnement (J) empêche le glissement de la scie vers la droite ou la gauche lors de son utilisation et de son transport. Installer les supports de fixation sur la travée comme indiqué en engageant le bord concave avant du support de fixation avec le bord avant arrondi de la travée. L'attache de positionnement (J) doit s'insérer dans l'un des supports. Les leviers de verrouillage (E) du support de fixation doivent être positionnés à l'arrière du socle comme indiqué.



4. Mesurer la distance entre les trous de fixation de la scie de table. Sur la travée, éloigner le second support de fixation du premier, de la distance mesurée.

5. Aligner les trous de la base de la scie de table avec les rainures des supports de fixation (D) de la scie.

6. Enfiler un boulon à tête hexagonale et une rondelle plate dans chacun des quatre trous de la base de la scie de table et



des supports de fixation. Fixer solidement chaque boulon avec la rondelle plate, la rondelle de blocage et l'écrou fournis.

**⚠ AVERTISSEMENT :** pour réduire le risque de blessure, s'assurer que la scie de table est bien ancrée au socle.

**⚠ AVERTISSEMENT :** positionner la scie de table sur le système de fixation de sorte que les quatre coins de l'outil soient bien boulonnés aux supports de fixation. Si la scie est bien installée, les supports de fixation seront positionnés perpendiculaires au guide du socle lorsque la scie est sur celui-ci.

Pour tout renseignement, communiquer avec le service à la clientèle DEWALT au 1-800-4-DEWALT.

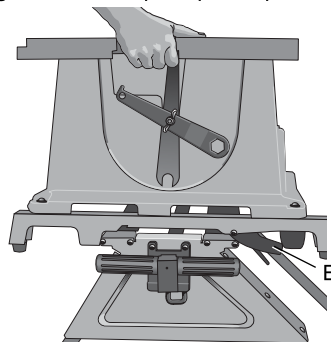
### Comment détacher la scie du socle

**⚠ AVERTISSEMENT :** pour réduire le risque de blessure, éteindre l'outil et le débrancher avant de dégager la scie de table de son socle. Un démarrage accidentel peut provoquer des blessures.

Les supports de fixation de la scie livrés avec le socle DW7440RS sont dotés de pieds en caoutchouc qui servent d'appui à la scie lors de coupe dans une zone de travail sans le socle.

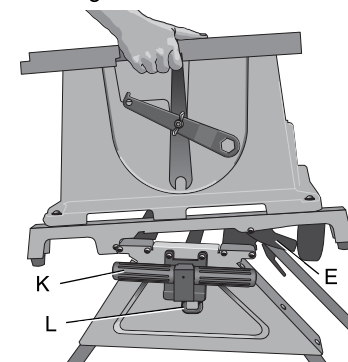
### DÉGAGEMENT DE LA SCIE POUR LE TRANSPORT OU SON UTILISATION SANS LE SOCLE

1. S'incliner pour atteindre les cotés de la scie et saisir les leviers de dégagement (E).
2. Tirer légèrement vers le haut pour dégager la travée et incliner la scie dans la direction de l'utilisateur pour le transport.



### FIXATION DE LA SCIE ET DES SUPPORTS DE FIXATION AU SOCLE

1. Saisir la table de la scie de table comme indiqué tout en faisant face à la scie.
2. Insérer le support de fixation de gauche dans l'attache de positionnement.
3. Lorsque le bord concave avant des deux supports de fixation est engagé avec le bord avant arrondi de la travée, faire pivoter la scie en position et vers le bas pour que les leviers de dégagement (E) s'enclenchent en position sur la travée arrière. Balancer délicatement la scie pour vérifier la bonne fixation des supports avec les travées.
4. Si la poignée (K) était déployée, abaisser le mécanisme de blocage de la poignée (L) pour dégager la poignée puis coulisser la poignée pour le rangement ou l'utilisation de la scie.



### FIXATION DE LA SCIE DE TABLE DEWALT DW745 AUX SUPPORTS DE FIXATION DE LA SCIE

1. Retirer les boulons des pieds avant et les pieds de caoutchouc avant de la scie de table DW745.
2. Retirer les pieds arrière de la barre structurale arrière de la scie.
3. Conserver ces composants pour une utilisation ultérieure.
4. Enfiler un boulon à tête hexagonale avec une rondelle plate dans chacun des quatre trous des barres structurales (trous utilisés

pour la fixation des pieds avant et arrière). Fixer solidement chaque boulon avec la rondelle plate, la rondelle de blocage et l'écrou fournis.

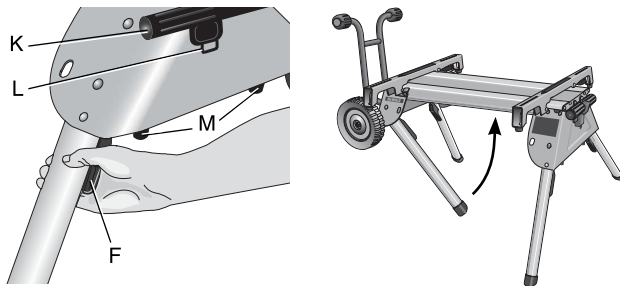
**⚠ AVERTISSEMENT** : pour réduire le risque de blessure, ne **JAMAIS** utiliser la scie de table avec la poignée déployée. Une poignée déployée n'est pas sécuritaire dans un environnement de travail.

**⚠ AVERTISSEMENT** : pour réduire le risque de blessure, ne pas suspendre d'objets à la poignée. Le socle risquerait de basculer lors de l'application d'une pression orientée vers le bas.

## Transport de la scie sur le socle

### DÉMONTAGE DU SOCLE POUR LE TRANSPORT

1. Positionner une main sous le support de patte. Soulever pour dégager un peu les pattes du sol.
2. De l'autre main, enfoncer le levier de dégagement (F) de la patte puis replier la patte sous la travée du socle. Répéter la procédure pour la deuxième patte du socle et déposer le socle sur les roues.



3. Répéter la séquence pour l'autre extrémité du socle.

4. Déployer la poignée extensible (K) sur le côté du socle. Le mécanisme de blocage à ressort (L) bloquera la poignée en position pour le transport de la scie sur le socle. Abaisser le mécanisme de blocage pour dégager la poignée et la coulisser pour la ranger.

**⚠ AVERTISSEMENT** : pour réduire le risque de blessure, **NE PAS** faire fonctionner la scie de table, assemblée sur le socle, avec les pattes repliées et le socle posé sur le sol.

## Déploiement des pattes du socle

Au moyen des roues, déplacer le socle à l'espace de travail prévu. S'assurer que l'aire choisie est plane et stable avant d'installer la scie et le socle.

1. Incliner le socle jusqu'à ce que la scie soit à 45 degrés.
2. Enfoncer, un à un, les leviers de dégagement des pattes pour dégager les goupilles de blocage. Déployer chaque patte jusqu'à ce que les goupilles s'enclenchent dans les crans.

**⚠ AVERTISSEMENT** : vérifier l'enclenchement correct des goupilles de blocage des pattes et si celles-ci sont solidement en position.

3. Remettre le socle sur ses pattes.
4. Enfoncer le mécanisme de blocage de la poignée pour la dégager. Pour ranger la poignée lors de l'utilisation de la scie, la coulisser dans le support de patte.
5. Se déplacer au côté opposé du socle et saisir la scie sous l'essieu arrière. Soulever la scie et le socle.
6. S'incliner pour atteindre l'espace sous le socle puis enfoncer l'un après l'autre les leviers de dégagement des pattes pour dégager les goupilles de blocage. Déployer les deux autres pattes. Vérifier l'enclenchement correct des goupilles de blocage des pattes et si celles-ci sont solidement en position. Remettre le socle sur le sol.



## Accessoires

**⚠ AVERTISSEMENT :** *puisque les accessoires autres que ceux offerts par DEWALT n'ont pas été testés avec ce produit, l'utilisation de ceux-ci avec l'outil pourrait s'avérer dangereuse. Pour réduire le risque de blessure, placer le socle sur une surface plane et stable. ÉVITER toutes conditions instables.*

Les accessoires recommandés pour utilisation avec l'outil sont offerts, à un coût supplémentaire, auprès du distributeur ou du centre de réparation autorisé de votre région. Pour toute demande d'assistance pour trouver un accessoire, communiquer avec DEWALT Industrial Tool Co., 701 East Joppa Road, Baltimore, MD 21286, É.-U., composer le 1-800-4-DEWALT (1-800-433-9258) ou visiter notre site Web [www.dewalt.com](http://www.dewalt.com).

## Réparations

Pour assurer la SÉCURITÉ et la FIABILITÉ du produit, confier les réparations, l'entretien et les réglages à un centre de réparation en usine DEWALT, à un centre de réparation autorisé DEWALT ou à du personnel de réparation qualifié. Toujours utiliser des pièces de rechange identiques.

## Garantie limitée trois ans

DEWALT réparera gratuitement tous les problèmes dus à des défauts de matériau ou de fabrication pendant trois ans à compter de la date d'achat. Cette garantie ne couvre pas des défaillances de pièce dues à une usure normale ou à une mauvaise utilisation de l'outil. Pour plus de détails relatifs à la couverture de la garantie et aux réparations sous garantie, visiter le site Web [www.dewalt.com](http://www.dewalt.com) ou composer le 1-800-4-DEWALT (1-800-433-9258). Cette garantie ne s'applique pas aux accessoires ni aux dommages causés par des réparations réalisées ou tentées par des tiers. Cette garantie vous accorde des droits légaux spécifiques et il est possible que vous ayez d'autres droits qui varient d'un État ou d'une province à l'autre.

En plus de la garantie, les outils DEWALT sont couverts par notre :

### SERVICE D'ENTRETIEN GRATUIT DE 1 AN

DEWALT entretiendra l'outil et remplacera les pièces usées par une utilisation normale et ce, gratuitement, à tout instant pendant la première année à compter de la date d'achat.

### GARANTIE DE REMBOURSEMENT DE 90 JOURS

Si vous n'êtes pas entièrement satisfait des performances de votre outil électrique, laser ou de votre marteau-cloueur DEWALT pour quelque raison que ce soit, vous pouvez le retourner accompagné d'un reçu dans les 90 jours suivant la date d'achat et nous vous rembourserons entièrement - sans poser de questions.

**AMÉRIQUE LATINE :** cette garantie ne s'applique pas aux produits vendus en Amérique latine. Pour ceux-ci, veuillez consulter les informations relatives à la garantie spécifique présente dans l'emballage, appeler l'entreprise locale ou consulter le site Web pour les informations relatives à cette garantie.

### REMPACEMENT GRATUIT DES ÉTIQUETTES D'AVERTISSEMENT

: si les étiquettes d'avertissement deviennent illisibles ou sont manquantes, composer le 1-800-4-DEWALT pour en obtenir le remplacement gratuit.

FRONT	<b>DW0744RS MOUNTING BRACKET</b>	<b>⚠ ADVERTENCIA</b> LEA LAS INSTRUCCIONES ANTES DE UTILIZAR ESTE PRODUCTO. SIEMPRE CON AGUJERO COMO SE MUESTRA. PARA UTILIZAR CON BARRAS DE ALUMINIO, UTILICE UN TUBO DE ALUMINIO. ASEGURE FIRMEMENTE LA CARRERA DE LA SIERRA PARA EVITAR QUE SE DESPLAZE. SIEMPRE UTILICE UN SOPORTE DE MONTAJE Y LA BASE SEGUN LAS INSTRUCCIONES DE UTILIZACION. SIEMPRE UTILICE UN SOPORTE DE MONTAJE Y LA BASE SEGUN LAS INSTRUCCIONES DE UTILIZACION. SIEMPRE UTILICE UN SOPORTE DE MONTAJE Y LA BASE SEGUN LAS INSTRUCCIONES DE UTILIZACION. SIEMPRE UTILICE UN SOPORTE DE MONTAJE Y LA BASE SEGUN LAS INSTRUCCIONES DE UTILIZACION.	<b>⚠ AVERTISSEMENT</b> LIRE LE MODE D'EMPLOI AVANT D'UTILISER CE PRODUIT. TOUJOURS PERFORER COMME IL EST MONTRÉ. POUR UTILISER AVEC DES BARRES EN ALUMINIUM, UTILISEZ UN TUBE EN ALUMINIUM. ASSUREZ-FERMEMENT LA CARRIÈRE DE LA SCIE POUR ÉVITER QU'ELLE SE DÉPLACÉ. TOUJOURS UTILISER UN SUPPORT DE MONTAGE ET LA BASE SELON LES INSTRUCTIONS D'UTILISATION. TOUJOURS UTILISER UN SUPPORT DE MONTAGE ET LA BASE SELON LES INSTRUCTIONS D'UTILISATION. TOUJOURS UTILISER UN SUPPORT DE MONTAGE ET LA BASE SELON LES INSTRUCTIONS D'UTILISATION.
	<b>⚠ WARNING</b> READ INSTRUCTIONS BEFORE USE. ALWAYS PERFORATE WITH HOLES AS SHOWN. FOR ALUMINIUM BARS, USE ALUMINIUM TUBES. SECURE THE SAW RAIL FIRMLY TO PREVENT IT FROM MOVING. ALWAYS USE A MOUNTING BRACKET AND BASE AS PER INSTRUCTIONS. ALWAYS USE A MOUNTING BRACKET AND BASE AS PER INSTRUCTIONS. ALWAYS USE A MOUNTING BRACKET AND BASE AS PER INSTRUCTIONS.		

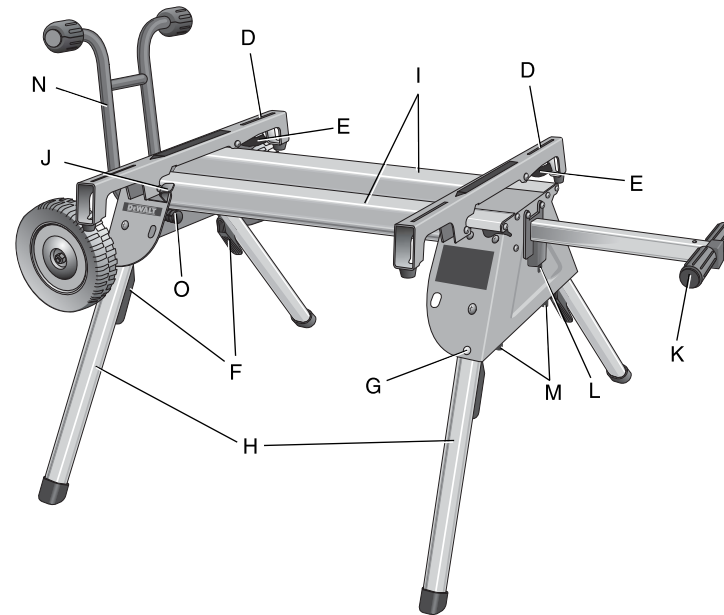
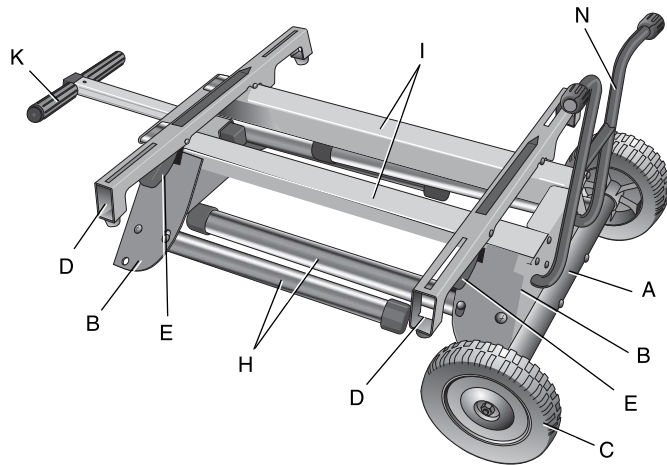
<b>DW7440RS STABLE SAW STAND</b>	<b>FRONT</b>
<b>⚠ WARNING</b> TO REDUCE THE RISK OF INJURY, READ THE TOOL STAND AND TOOL INSTRUCTION MANUALS BEFORE USE. USE ONLY WITH PORTABLE TABLE SAW CIRCULAR SAWS NOT ACHIEVE FULL CONTACT ANY MORE OPEN STAND FEELY AND LOCK INTO POSITION BEFORE USING SAW. SAW MUST BE CENTERED AND FULLY SUPPORTED BY THE MOUNTING BRACKET TO PREVENT THE SAW FROM MOVING. ALWAYS USE A MOUNTING BRACKET AND BASE AS PER INSTRUCTIONS. ALWAYS USE A MOUNTING BRACKET AND BASE AS PER INSTRUCTIONS. ALWAYS USE A MOUNTING BRACKET AND BASE AS PER INSTRUCTIONS.	
<b>⚠ ADVERTENCIA</b> ANTES DE USAR, LEA EL MANUAL DE INSTRUCCIONES DE LA HERRAMIENTA Y DE LA BASE POR COMPLETO Y TRÁBALA EN SU POSICIÓN ANTES DE UTILIZAR LA SIERRA. LA SIERRA DE DEBE CENTRADA Y BIEN SUJETA EN LOS SOPORTES DE MONTAJE PARA EVITAR QUE SE DESPLAZE. SIEMPRE UTILICE UN SOPORTE DE MONTAJE Y LA BASE SEGUN LAS INSTRUCCIONES DE UTILIZACION. SIEMPRE UTILICE UN SOPORTE DE MONTAJE Y LA BASE SEGUN LAS INSTRUCCIONES DE UTILIZACION. SIEMPRE UTILICE UN SOPORTE DE MONTAJE Y LA BASE SEGUN LAS INSTRUCCIONES DE UTILIZACION.	
<b>⚠ AVERTISSEMENT</b> POUR RÉDUIRE LE RISQUE DE BLESSURES, LIRE LE MODE D'EMPLOI DE LA SCIE ET DE LA BASE AVANT D'UTILISER CE PRODUIT. TOUJOURS PERFORER COMME IL EST MONTRÉ. POUR UTILISER AVEC DES BARRES EN ALUMINIUM, UTILISEZ UN TUBE EN ALUMINIUM. ASSUREZ-FERMEMENT LA CARRIÈRE DE LA SCIE POUR ÉVITER QU'ELLE SE DÉPLACÉ. TOUJOURS UTILISER UN SUPPORT DE MONTAGE ET LA BASE SELON LES INSTRUCTIONS D'UTILISATION. TOUJOURS UTILISER UN SUPPORT DE MONTAGE ET LA BASE SELON LES INSTRUCTIONS D'UTILISATION. TOUJOURS UTILISER UN SUPPORT DE MONTAGE ET LA BASE SELON LES INSTRUCTIONS D'UTILISATION.	
<small>DEWALT INDUSTRIAL TOOL CO., BALTIMORE, MD 21286 U.S.A.          FOR DETAILS: BPH@DEWALT.COM, CALL 1-800-4-DEWALT • <a href="http://www.dewalt.com">www.dewalt.com</a></small>	

Français

## DW7440RS

### Base rodante para sierra de banco para trabajo pesado

- A. Eje
- B. Soporte para patas
- C. Ruedas
- D. Soportes de montaje de la sierra
- E. Palancas de liberación de los soportes de montaje
- F. Palancas de liberación de las patas
- G. Clavija de bloqueo
- H. Patas
- I. Vigas
- J. Pinza del localizador
- K. Mango
- L. Traba del mango
- M. Protectores de goma
- N. Soporte
- O. Tapones para tubos



Español



### **Definiciones: Normas de seguridad**

Las siguientes definiciones describen el nivel de gravedad de cada palabra de señal. Lea el manual y preste atención a estos símbolos.

**▲PELIGRO:** indica una situación de peligro inminente que, si no se evita, provocará **la muerte o lesiones graves**.

**▲ADVERTENCIA:** indica una situación de peligro potencial que, si no se evita, **podría provocar la muerte o lesiones graves**.

**▲PRECAUCIÓN:** indica una situación de peligro potencial que, si no se evita, **posiblemente provocaría lesiones leves o moderadas**.

**PRECAUCIÓN:** cuando se utiliza sin el símbolo de alerta de seguridad indica una situación de peligro potencial que, si no se evita, **puede provocar daños en la propiedad**.

SI TIENE ALGUNA DUDA O COMENTARIO ACERCA DE ÉSTA U OTRA HERRAMIENTA DEWALT, LLÁMENOS AL NÚMERO GRATUITO: 1-800-4-DEWALT (1-800-433-9258)

### **DW7440RS Base rodante con patas plegables para sierra de banco**

**▲ADVERTENCIA:** Por su propia seguridad, lea el manual de instrucciones de la sierra de banco antes de usar cualquier accesorio. El incumplimiento de estas advertencias podría ocasionar daños graves en la sierra de banco y el accesorio. Al reparar esta herramienta, sólo utilice piezas de repuesto idénticas.

Esta base está diseñada para ser utilizada únicamente con sierras de banco. Los modelos de sierras de banco aprobados para ser utilizados con esta base son: el DW7440RS, el DW744, el DW744X y el DW745. En caso de que tenga algún problema con su producto DEWALT, llame al 1-800-4-DEWALT (1-800-433-9258).

### **Herramientas requeridas**

Destornillador Phillips

Juego de tubos adaptadores o llaves

### **Contenido**

Base	Pernos de cabeza de hongo (2)
Soportes de montaje (2)	Tuercas de seguridad M8 (4)
Ruedas (2)	Eje trasero
Protectores de goma (2)	Tornillos M4 (2)
Arandelas (4)	Tuercas de seguridad M4 (2)
Conjunto del soporte	Tornillos M6 (4)
Tapones para tubos (2)	Llave hexagonal M4
Tornillería de montaje de la sierra: pernos de cabeza hexagonal (4), arandelas (8), tuercas (4), arandelas de seguridad (4)	

### **Instrucciones de seguridad generales para los accesorios de la sierra de banco**

**▲ADVERTENCIA:** Para reducir el riesgo de lesiones:

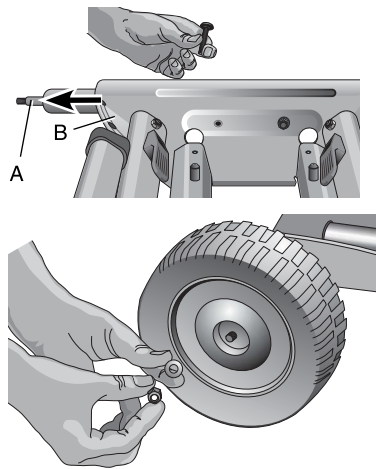
- **SIEMPRE utilice protección para los ojos.** Todos los usuarios y espectadores deben utilizar protección para los ojos conforme con las normas ANSI Z87.1.
- Asegúrese de que todos los sujetadores de la base estén bien ajustados y que todos los mecanismos de la base funcionen adecuadamente antes de operar la sierra de banco.

- **NO** supere el peso que la base puede soportar. La base para sierra de banco DW7440RS está diseñada para soportar 68 kg (150 lb) de manera segura en el lugar de trabajo. No es seguro subirse a la base ni sentarse o pararse sobre ésta.
- Siga cuidadosamente todas las instrucciones de montaje. Sujete bien la herramienta a los soportes de montaje de la sierra, según lo indicado.
- **NO** modifique la base ni la utilice para otras tareas que no sean aquéllas para la que fue diseñada.
- **NO** utilice la base sobre superficies desniveladas. **NO** utilice la base con las patas plegadas y la base apoyada en el suelo. La base fue diseñada para utilizarse sobre una superficie plana y estable.

## ENSAMBLAJE

### Colocación de las ruedas y el eje

1. Alinee los orificios pretaladrados y fije el eje (A) al soporte para patas (B). Asegúrese de que el extremo largo del eje esté en la parte trasera de la base, como se muestra. Sujete el eje al soporte para patas con los dos pernos de cabeza de hongo, las arandelas y las tuercas de seguridad incluidos.



2. Coloque las ruedas (C) en el eje y sujételas con las arandelas y las tuercas de seguridad, como se muestra. Ajuste bien las tuercas de las ruedas y del eje.

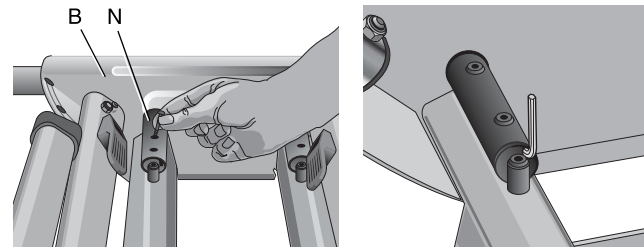
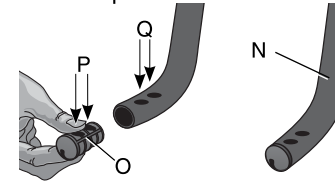
### Fijación del soporte

Inserte los tapones para tubos (O) en el extremo del tubo del soporte (N). La ranura de los tapones para tubos debe apuntar hacia abajo como se muestra. Antes de insertar los tapones para tubos, asegúrese de que los orificios (P) de los tapones para tubos estén alineados con los orificios (Q) del tubo del soporte.

Inserte el tubo del soporte (N) a través de los orificios del soporte para las patas (B) en el lado del eje de la rueda del soporte. Asegúrese de que el soporte quede hacia arriba cuando la base esté en posición vertical.

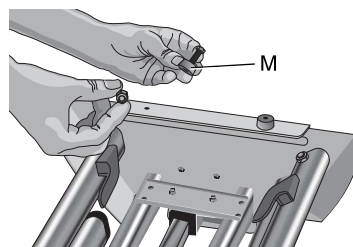
Asegure el soporte a las barras (I) con los cuatro tornillos M6 suministrados, como se muestra (abajo, a la izquierda).

La llave hexagonal puede guardarse en el extremo del tapón para tubo, como se muestra, para su uso posterior.



## Colocación de los protectores de goma

Con los tornillos M4 y las tuercas de seguridad suministradas, fije los dos protectores de goma (M) al soporte para patas del lado del mango, como se muestra.



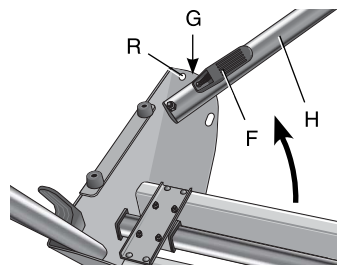
## Montaje de los soportes de la sierra de banco

**⚠ ADVERTENCIA:** Para reducir el riesgo de lesiones, apague la unidad y desconéctela de la fuente de alimentación antes de montar la sierra de banco a la base para sierra de banco. Un arranque accidental podría causar lesiones.

**⚠ ADVERTENCIA:** Por su propia seguridad, lea el manual de instrucciones de la sierra de banco antes de utilizarla. El incumplimiento de estas advertencias podría ocasionar lesiones personales y daños graves en la sierra de banco y el accesorio.

**⚠ ADVERTENCIA:** Los soportes de montaje de la sierra incluidos con esta base vienen equipados con bloqueos de palanca. Para reducir el riesgo de lesiones, **NO** modifique los bloqueos de palanca de los soportes de montaje.

1. Para desplegar las patas, presione las palancas de liberación de las patas (F).

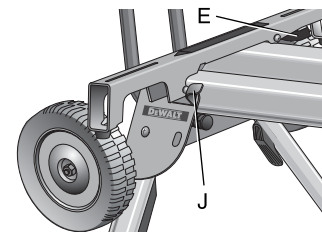


Gire las patas hasta que la clavija de bloqueo (G) emita un chasquido y se ajuste en el retén (R).

2. Coloque la base en posición vertical. La base debe estar estable y no debe mecerse.

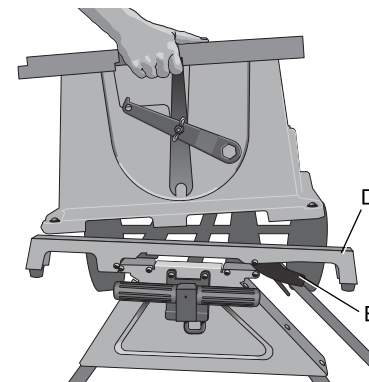
**⚠ ADVERTENCIA:** Asegúrese de que las clavijas de bloqueo estén trabadas y que las patas estén firmemente sujetadas en su lugar.

3. La pinza del localizador (J) evita que la sierra se deslice hacia la izquierda o hacia la derecha durante las operaciones de corte o el transporte. Para instalar los soportes de montaje en la viga como se muestra, fije el borde cóncavo delantero del soporte de montaje al borde convexo delantero de la viga. Uno



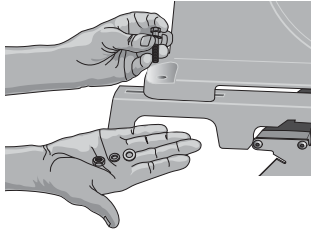
de los soportes debe fijarse en la pinza del localizador (J). Las palancas de liberación de los soportes de montaje (E) deben ubicarse en la parte trasera de la base, como se muestra.

4. Mida la distancia entre los orificios de montaje de la sierra de banco. Coloque el segundo soporte de montaje en la viga, a esta distancia del primer soporte de montaje.



Español

5. Alinee los orificios de la base de la sierra de banco con las ranuras de los soportes de montaje de la sierra (D).
6. Coloque un perno de cabeza hexagonal y una arandela plana en cada uno de los cuatro orificios de la base de la sierra de banco y de los soportes de montaje. Asegure cada ubicación con las arandelas planas, las arandelas de seguridad y las tuercas incluidas.



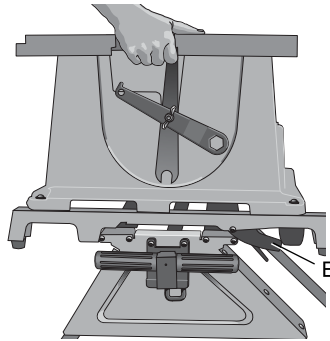
**⚠ ADVERTENCIA:** Para reducir el riesgo de lesiones personales, asegúrese de que la sierra de banco esté bien sujeta a la base.

**⚠ ADVERTENCIA:** La sierra de banco debe colocarse sobre la superficie de montaje de manera tal que las cuatro esquinas puedan atornillarse a los soportes de montaje. Si la sierra está montada adecuadamente, los soportes de montaje quedarán posicionados de forma perpendicular al riel de la base cuando se coloque la sierra sobre la base.

Llame al servicio al cliente DEWALT al 1-800-4-DEWALT si necesita asistencia.

### Cómo desmontar la sierra de la base

**⚠ ADVERTENCIA:** Para reducir el riesgo de lesiones, apague la unidad y desconéctela de la fuente de alimentación antes de



**desmontar la sierra de banco de la base para sierra de banco.** Un arranque accidental podría causar lesiones.

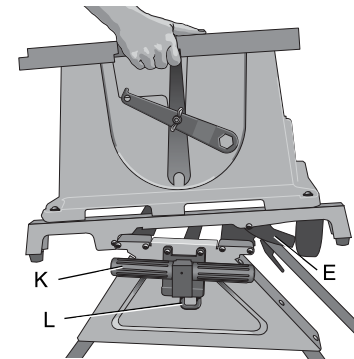
Los soportes de montaje de la sierra incluidos en la base DW7440RS vienen equipados con patas de goma, que pueden sostener la sierra al cortar sobre una superficie de trabajo sin base.

### CÓMO DESMONTAR LA SIERRA PARA TRANSPORTARLA O PARA UTILIZARLA SIN LA BASE

1. Sujete las palancas de liberación (E) que se encuentran en ambos costados de la sierra.
2. Levante levemente hasta quitar del paso la viga e incline la sierra hacia su lado, para transportarla.

### CÓMO VOLVER A MONTAR LA SIERRA Y LOS SOPORTES DE MONTAJE DE LA SIERRA EN LA BASE

1. Sujete el banco de la sierra como se muestra, con el frente de la sierra hacia su lado.
2. Coloque el soporte de montaje del lado izquierdo en la pinza del localizador.
3. Una vez que los bordes cóncavos delanteros de ambos soportes de montaje se hayan fijado al borde convexo delantero de la viga, gire la sierra hacia atrás y hacia abajo, hasta que las palancas de liberación (E) emitan un chasquido y se ajusten en la viga trasera. Sacuda suavemente la sierra, para verificar que los soportes de montaje se hayan trabado en las vigas.



4. Si el mango (K) está extendido, presione la traba del mango (L) para liberarlo y luego deslice el mango hacia adentro, a la posición de almacenamiento o uso de la sierra.

#### **PARA MONTAR LA SIERRA DE BANCO DEWALT DW745 A LOS SOPORTES DE MONTAJE PARA SIERRA**

1. Retire los pernos de las patas delanteras y las patas delanteras de goma de la sierra de banco DW745.
2. Retire las patas traseras de la barra del marco trasero de la sierra.
3. Guarde estos componentes para utilizarlos en un futuro.
4. Coloque un perno de cabeza hexagonal y una arandela plana en cada uno de los cuatro orificios de las barras del marco, donde estaban instaladas las patas delanteras y traseras que se retiraron. Asegure cada ubicación con las arandelas planas, las arandelas de seguridad y las tuercas incluidas.

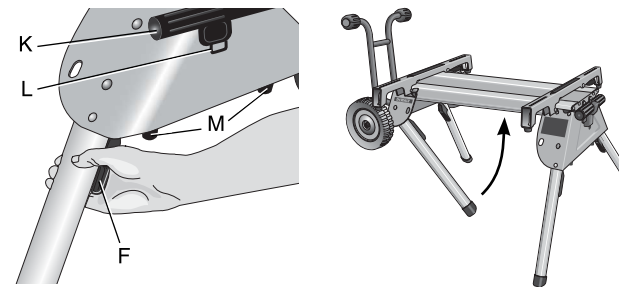
**⚠ ADVERTENCIA:** Para reducir el riesgo de lesiones personales, **NUNCA** utilice la sierra de banco con el mango extendido. El mango extendido genera situaciones de inseguridad en el área de trabajo.

**⚠ ADVERTENCIA:** Para reducir el riesgo de lesiones personales, no cuelgue objetos del mango. La base puede inclinarse si se aplica fuerza descendente.

#### **Transporte de la sierra en la base**

##### **PLIEGUE DE LA BASE PARA TRANSPORTE**

1. Coloque una mano debajo del soporte para patas y sostenga las patas levemente separadas del suelo.
2. Baje la palanca de liberación de las patas (F) con la otra mano y empuje la pata debajo de la viga de la base. Repita el proceso con la segunda pata de la base y apoye la base sobre las ruedas.



3. Repita el proceso una vez más en el otro extremo de la base.
4. Extraiga el mango extendido (K) del costado de la base. La traba con resorte del mango (L) trabará el mango en la posición de transporte de la sierra sobre la base. Presione la traba del mango para liberarlo y luego deslice el mango hacia adentro, a la posición de almacenamiento.

**⚠ ADVERTENCIA:** Para reducir el riesgo de lesiones personales, **NO** opere la sierra de banco montada en la base con las patas plegadas y la base apoyada en el suelo.

#### **Cómo desplegar la base**

Desplace la base al lugar de trabajo. Asegúrese de que la superficie sea plana y estable antes de comenzar a instalar la sierra y la base.

1. Incline la base hacia arriba, hasta que la sierra esté en un ángulo de 45 grados.
2. Presione las palancas de liberación de las patas una por vez, para liberar las clavijas de bloqueo, y tire de las patas delanteras hasta que cada una de las clavijas de bloqueo emita un chasquido y se ajuste en el retén.

**⚠️ ADVERTENCIA:** Asegúrese de que las clavijas de bloqueo estén trabadas y que las patas estén firmemente sujetadas en su lugar.

3. Apoye la base sobre las patas.
4. Presione la traba del mango para liberarlo. Deslice el mango en el soporte para patas para almacenarlo durante la tarea.
5. Vaya al lado opuesto de la base y sujete la sierra por debajo del eje trasero. Levante la sierra y la base.
6. Presione las palancas de liberación de las patas una por vez que se encuentran debajo de la base, para liberar las clavijas de bloqueo. Retire las dos patas restantes. Asegúrese de que las clavijas de bloqueo estén trabadas y que las patas estén firmemente sujetadas en su lugar. Apoye la base en el suelo.

### Accesorios

**⚠️ ADVERTENCIA:** Debido a que no se han probado con este producto otros accesorios que no sean los que ofrece DEWALT, el uso de dichos accesorios con esta herramienta podría ser peligroso. Para reducir el riesgo de lesiones graves, coloque la base en una superficie plana y estable. **EVITE** las condiciones inseguras.

Los accesorios que se recomiendan para utilizar con la herramienta están disponibles a un costo adicional en su distribuidor local o en un centro de mantenimiento autorizado. Si necesita ayuda para localizar algún accesorio, comuníquese con DEWALT Industrial Tool Co., 701 East Joppa Road, Baltimore, MD 21286, llame al 1-800-4-DEWALT (1-800-433-9258) o visite nuestro sitio web [www.dewalt.com](http://www.dewalt.com).

### Reparaciones

Para garantizar la SEGURIDAD y la CONFIABILIDAD del producto, las reparaciones, el mantenimiento y los ajustes deben realizarse

en un centro de mantenimiento de fábrica DEWALT, un centro de mantenimiento autorizado DEWALT u otro personal de mantenimiento calificado. Utilice siempre piezas de repuesto idénticas.

### Garantía limitada de tres años

DEWALT reparará sin cargo cualquier defecto ocasionado por materiales defectuosos o mano de obra, durante tres años a partir de la fecha de compra. Esta garantía no cubre fallas en las piezas que resulten del desgaste normal de la herramienta o de su utilización inadecuada. Para obtener información detallada sobre la cobertura de la garantía y sobre reparaciones, visite nuestra página Web [www.dewalt.com](http://www.dewalt.com) o llame al 1-800-4-DEWALT (1-800-433-9258). Esta garantía no se extiende a los accesorios o a los daños causados por terceros al intentar realizar reparaciones. Esta garantía le concede derechos legales específicos; usted goza también de otros derechos que varían según el estado o provincia.

Además de la garantía, las herramientas DEWALT están cubiertas por nuestro:

#### SERVICIO GRATUITO DE 1 AÑO

DEWALT realizará el mantenimiento de la herramienta y reemplazará las piezas gastadas tras el uso normal, sin costo alguno, en cualquier momento durante el primer año después de la compra.

#### GARANTÍA DE REEMBOLSO DE DINERO DE 90 DÍAS

Si por alguna razón no estuviera plenamente satisfecho con el rendimiento de la herramienta eléctrica, el láser o la clavadora DEWALT, puede devolver el producto dentro de los 90 días siguientes a la fecha de compra acompañado del recibo de compra. De esta manera, se le reintegrará el importe total del producto sin formularle pregunta alguna.

**AMÉRICA LATINA:** Esta garantía no se aplica a los productos que se venden en América Latina. Para los productos que se venden en América Latina, debe consultar la información de la garantía específica del país que viene en el empaque, llamar a la compañía local o visitar el sitio Web a fin de obtener esa información.

**REEMPLAZO GRATUITO DE LAS ETIQUETAS DE ADVERTENCIA:** si sus etiquetas de advertencia se tornan ilegibles o faltan, llame al 1-800-4-DEWALT para que se las reemplacen gratuitamente.

<b>FRONT</b>	<b>DW0744RS MOUNTING BRACKET</b>	<b>ADVERTENCIA</b> LEA LAS INSTRUCCIONES ANTES DE UTILIZARLA. NO MODIFIQUE LA SUPERFICIE DE MONTAJE COMO SE MUESTRA EN EL DIBUJO. PARA UTILIZAR CORRECTAMENTE LA SIERRA TABLA PORTÁTIL (SOLAMENTE), ASEGURE FIRMEMENTE LA BARRA DE LA SIERRA TABLA SEGÚN LAS INSTRUCCIONES IMPRESAS. ASIGURE EL MONTAJE A LOS SOPORTES DE MONTAJE Y A LA BASE SEGÚN LAS INSTRUCCIONES IMPRESAS. NO SEA COMPLETAMENTE PASIVO DE LA BASE ANTES DE UTILIZARLA. CARGA MÁXIMA - 100 LIBS. GARANTÍA: NO SE DEBE DE REVERTIR AL SE PARE SOBRE LA BASE DE LA SIERRA, NO UTILICE LA BASE SOBRE SUPERFICIES DESNIVELADAS O INESTABLES.	<b>AVERTISSEMENT</b> LIRE LE MODE D'EMPLOI AVANT D'UTILISER LE PRODUIT. NE MODIFIEZ PAS LA SURFACE DE MONTAGE COMME IL EST ILLUSTRÉ SUR LE SCHEMA. POUR UTILISER LA SIÈGE DE LA SCIE À TABLE CORRECTEMENT, ASSUREZ-VOUS D'AVOIR BIEN ANCRÉ LA BARRE DE LA SCIE À TABLE SELON LES INSTRUCTIONS IMPRIMÉES. ASSUREZ-VOUS D'AVOIR BIEN ANCRÉ LE PRODUIT AUX SUPPORTS DE MONTAGE ET À LA BASE SELON LES INSTRUCTIONS IMPRIMÉES. NE SOYEZ PAS COMPLÈTEMENT PASSIF DE LA BASE AVANT D'UTILISER LE PRODUIT. CHARGÉ MAXIMALE - 100 KG (220 LBS). NE PAS CHARGER LE PRODUIT SUR UNE SURFACE INÉGALE OU INSTABLE.
	<b>WARNING</b> READ INSTRUCTIONS BEFORE USE. ALWAYS REMOVE SAW CUTS FROM WORK BEFORE USING. DO NOT USE WITH PORTABLE TABLE SAW ONLY. FASTEN TOOL TO MOUNTING BRACKETS AND TO STAND PER INSTRUCTIONS. LITERATURE: OPEN LIDS OF STAND FULLY BEFORE USE. MAXIMUM LOAD: 100 LBS. (45 KG). DO NOT CLIMB. SET UP STAND ON SAW STANDS. DO NOT USE STAND ON UNEVEN OR UNSTABLE SURFACE.		

<b>DW7440RS TABLE SAW STAND</b>	<b>FRONT</b>
<b>WARNING</b> TO REDUCE THE RISK OF INJURY, READ THE TOOL STAND AND TOOL INSTRUCTIONS MANUALLY BEFORE USE. DO NOT USE WITH PORTABLE TABLE SAW ONLY. DO NOT ALTER THIS STAND IN ANY WAY. OPEN STAND FULLY AND LOCK PRO POSITION BEFORE USING. SAW STANDS ARE NOT TO BE ANCHORED TO THE MOUNTING BRACKETS WITH THE FOUR BOLTS PROVIDED PER INSTRUCTIONS. MAXIMUM LOAD EQUALS TO USER WEIGHT. DO NOT CLIMB. SET UP STAND ON SAW STANDS. DO NOT USE ON UNSTABLE SURFACES. DO NOT CREATE UNSTABLE CONDITIONS WITH LARGE OR LONG WORKPIECES.	
<b>ADVERTENCIA</b> ANTES DE USAR, LEA EL MANUAL DE INSTRUCCIONES DE LA HERRAMIENTA Y DE LA BASE DE LA HERRAMIENTA PARA REDUCIR EL RIESGO DE LESIONES. SOLO DE UTILIZAR CON LA SIERRA TABLA PORTÁTIL. NO ALTERE ESTA BASE DE NINGUNA MANERA. ANTES DE USAR, LEA EL MANUAL DE INSTRUCCIONES DE LA SIERRA TABLA PORTÁTIL. NO MODIFIQUE ESTE ESTAND EN NINGUNA FORMA. NO UTILICE ESTE ESTAND CON LA SIERRA TABLA PORTÁTIL ÚNICAMENTE. ASEGURE FIRMEMENTE LA BARRA DE LA SIERRA TABLA SEGÚN LAS INSTRUCCIONES IMPRESAS. ASIGURE EL MONTAJE A LOS SOPORTES DE MONTAJE Y A LA BASE SEGÚN LAS INSTRUCCIONES IMPRESAS. NO SEA COMPLETAMENTE PASIVO DE LA BASE ANTES DE UTILIZARLA. CARGA MÁXIMA - 100 LIBS. GARANTÍA: NO SE DEBE DE REVERTIR AL SE PARE SOBRE LA BASE DE LA SIERRA, NO UTILICE LA BASE SOBRE SUPERFICIES DESNIVELADAS O INESTABLES. NO CREAR CONDICIONES DE TRABAJO INESTABLES CON PIEZAS LARGAS O DE GRAN LONGITUD.	
<b>AVERTISSEMENT</b> POUR RÉDUIRE LE RISQUE DE BLESSURES, LIRE LE MODE D'EMPLOI DU PRODUIT POUR OÙTIL ET LE CATALOGUE AVANT UTILISATION. NE PAS MODIFIER LE PRODUIT EN AUCUNE MANIÈRE. NE PAS UTILISER LE PRODUIT AVEC LA SCIE À TABLE PORTATIVE SEULEMENT. DÉPLIÉZ ET SÉRIEUSEMENT ANCRÉ AUX SUPPORTS DE MONTAGE AVEC LES QUATRE BOLLONS FOURNIS, SELON LES DIRECTIVES. CHARGÉ MAXIMALE DE 100 LBS. (45 KG). NE PAS CHARGER LE PRODUIT SUR UNE SURFACE INÉGALE OU INSTABLE. NE PAS CRÉER DE CONDITIONS DE TRAVAIL INSTABLES AVEC DES PIÈCES LONGUES OU GRANDES.	
<small>US PAT. NOS. 300640, 699261, 674953, 508241, PAT. PENDING  DEWALT INDUSTRIAL TOOL CO., BATHINGEN, MD 20716 U.S.A.  FOR SERVICE INFORMATION, CALL 1-800-4-DEWALT www.dewalt.com</small>	

**Español**



DEWALT Industrial Tool Co., 701 East Joppa Road, Baltimore, MD 21286 (FEB08) Part No. 648674-00 DW7440RS  
Copyright © 2007, 2008 DEWALT

The following are trademarks for one or more DEWALT power tools: the yellow and black color scheme; the “D” shaped air intake grill; the array of pyramids on the handgrip; the kit box configuration; and the array of lozenge-shaped humps on the surface of the tool.