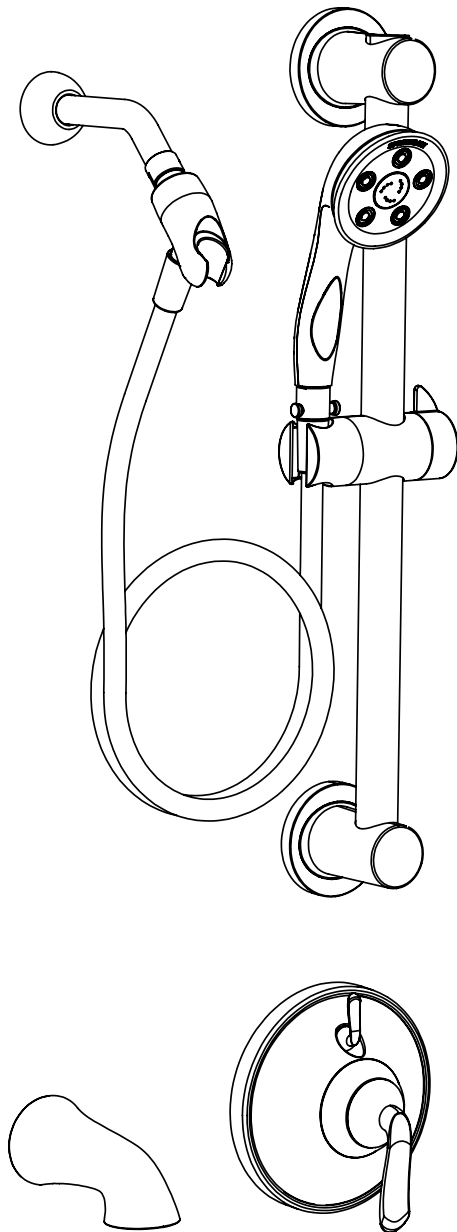


SPEAKMAN®

Caspian™ Shower Combination

SM-7490-ADA-P

SPECIFICATION



FEATURES:

- Contemporary style
- SM-7400-P pressure balance shower valve with diverter and trim
- VS-3014 hand shower and 60 in. metal hose
- S-2500 showerarm and flange
- S-1561 tub spout
- VS-156 pause/trickle adapter
- VS-153-ADA slide/grab bar
- 2.5 gpm (9.5 L/min) flow rate

COMPLIANCE:

- ASME A112.18.1/CSA B125.1 certified
- ASSE 1016 certified



FINISHES:

ADD SUFFIX TO MODEL #

- Polished Chrome (standard)
- Brushed Nickel BN

WARRANTY:

- Consumer Shower Head: Limited Lifetime Warranty
- Commercial Shower head: 1 Year Limited
- Valve: 5 Year Limited
- Accessories: 1 Year Limited

SEE REVERSE FOR ROUGH-IN DIMENSIONS
CONTRACTOR PACK VALVES & TRIM KITS AVAILABLE

THIS SPACE FOR ARCHITECT/ENGINEER APPROVAL.

SPEAKMAN®

400 ANCHOR MILL ROAD | NEW CASTLE, DE 19720
P: 800-537-2107 | F: 800-977-2747
WWW.SPEAKMANCOMPANY.COM

REVISION DATE: DECEMBER 2014

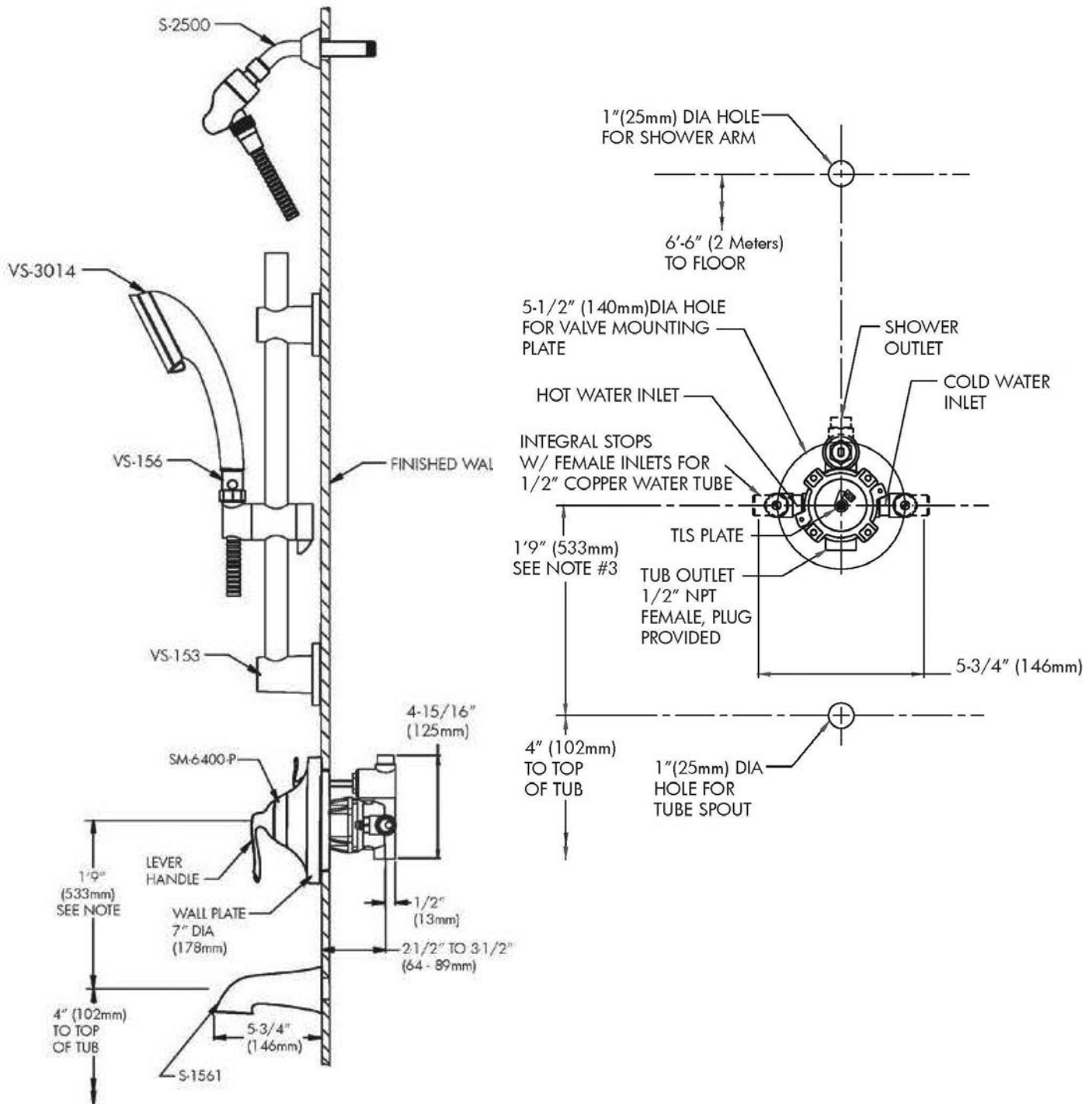


Management Systems
Registered to ISO 9001

SPEAKMAN®

Caspian™ Shower Combination SM-7490-ADA-P

SPECIFICATION



NOTE: 1. All dimensions are in inches (millimeters) unless otherwise specified and are subject to change without notice. 2. Unless otherwise specified, all inlets and outlets are 1/2" female copper sweat. 3. For ADA mounting locations, consult ADAAG, ANSI A117.1, or static regulations

THIS SPACE FOR ARCHITECT/ENGINEER APPROVAL.

SPEAKMAN®

400 ANCHOR MILL ROAD | NEW CASTLE, DE 19720
 P: 800-537-2107 | F: 800-977-2747
 WWW.SPEAKMANCOMPANY.COM



Management Systems
 Registered to ISO 9001

REVISION DATE: DECEMBER 2014