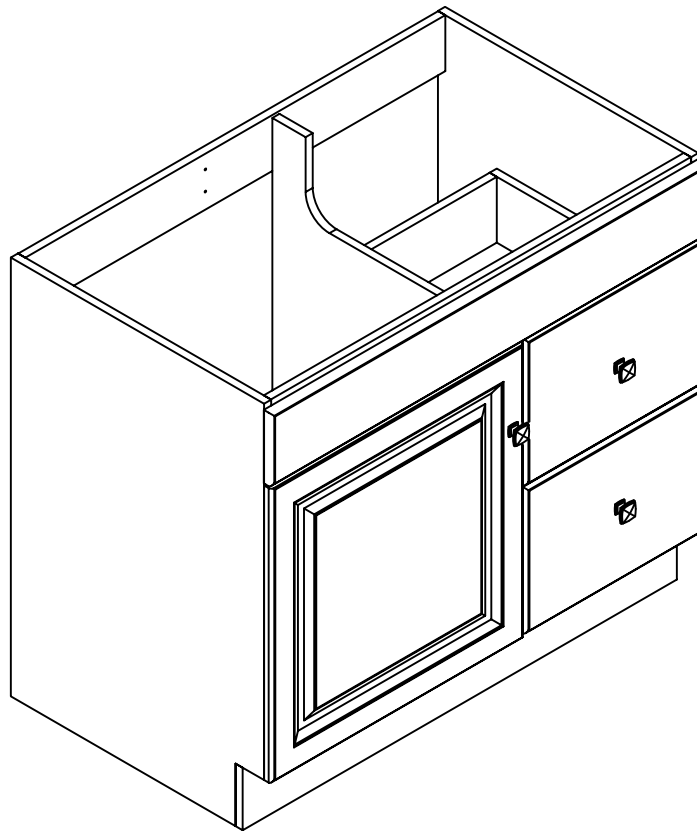


Brighton MANOR™

ASSEMBLY INSTRUCTIONS One Door Two Drawer Bathroom Vanity-White



Distributed by:

HD Supply Facilities Maintenance, Ltd.

10641 Scripps Summit Court

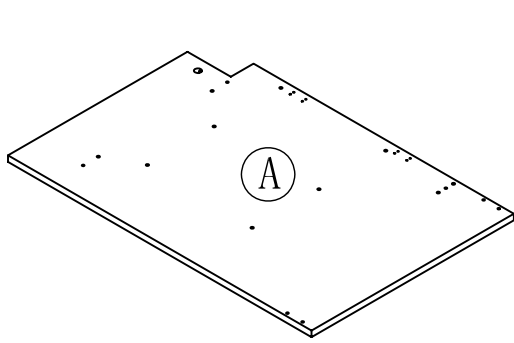
San Diego, CA 92131

1-800-431-3000

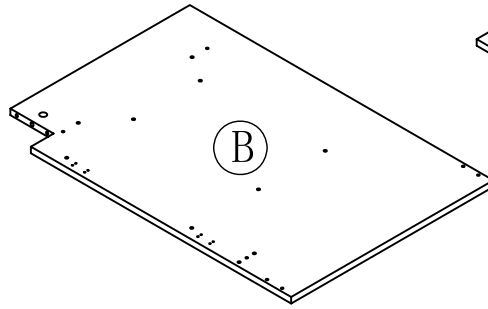
www.hdsupplysolutions.com

MADE IN CHINA

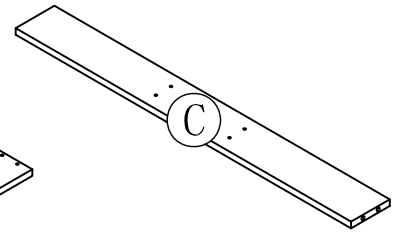
PARTS LIST:



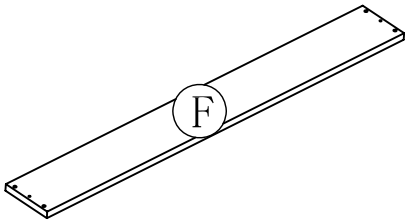
LEFT SIDE PANEL 1PC



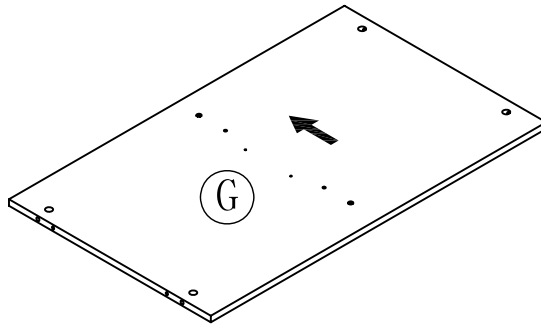
RIGHT SIDE PANEL 1PC



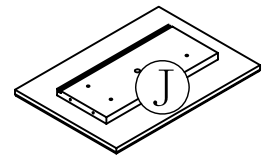
BACK CROSS BRACE 1PC



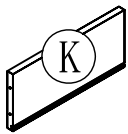
TOE KICK PANEL 1PC



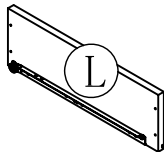
BOTTOM PANEL 1PC



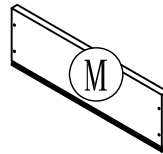
DRAWER FRONT 2PCS



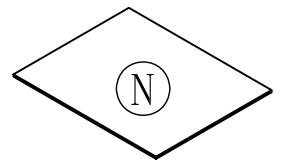
DRAWER BACK PANEL
2PCS



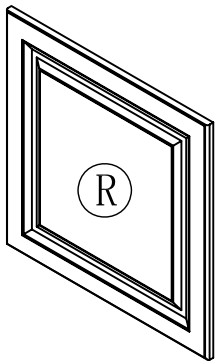
DRAWER LEFT SIDE
PANEL 2PCS



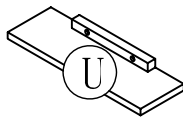
DRAWER RIGHT SIDE
PANEL 2PCS



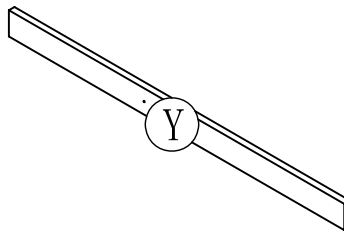
DRAWER BOTTOM
PANEL 2PCS



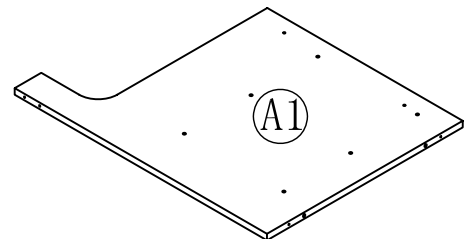
DOOR 1PC



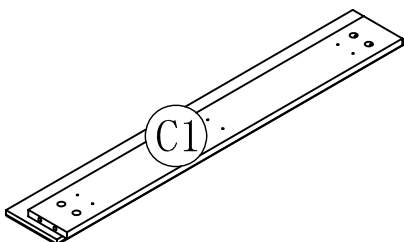
FIXED PANEL 1PC



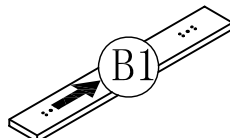
FRONT CROSS BRACE 1PC



BIG PARTITION 1PC



FALSE DRAWER FRONT 1PC

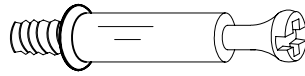


SMALL PARTITION 1PC

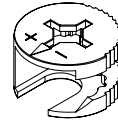
HARDWARE LIST:



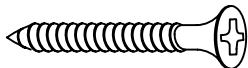
a. WOOD DOWEL 16PCS



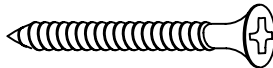
b. CAM LOCK SCREW
16PCS



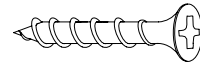
c. CAM LOCK 16PCS



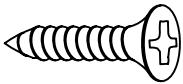
d. 1" L WOOD SCREW 6PCS



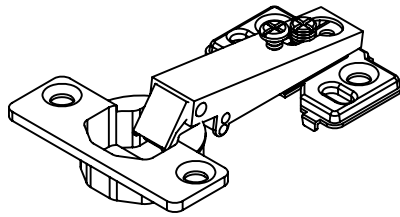
e. 1-1/2" L WOOD
SCREW 19PCS



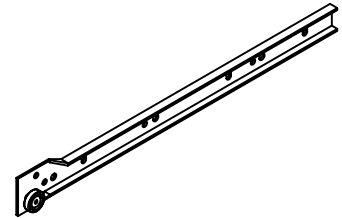
f. 5/8" L FLAT HEAD
SCREW 12PCS



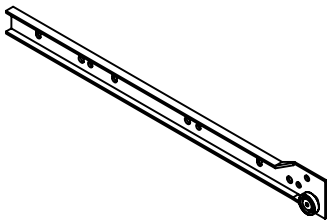
g. 1/2" L WOOD
SCREW 12PCS



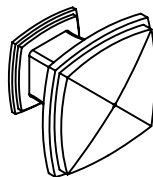
h. HINGE 2PCS



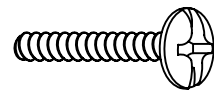
i. LEFT SIDE DRAWER
GLIDE 2PCS



j. RIGHT SIDE DRAWER
GLIDE 2PCS



l. KNOB 3PCS



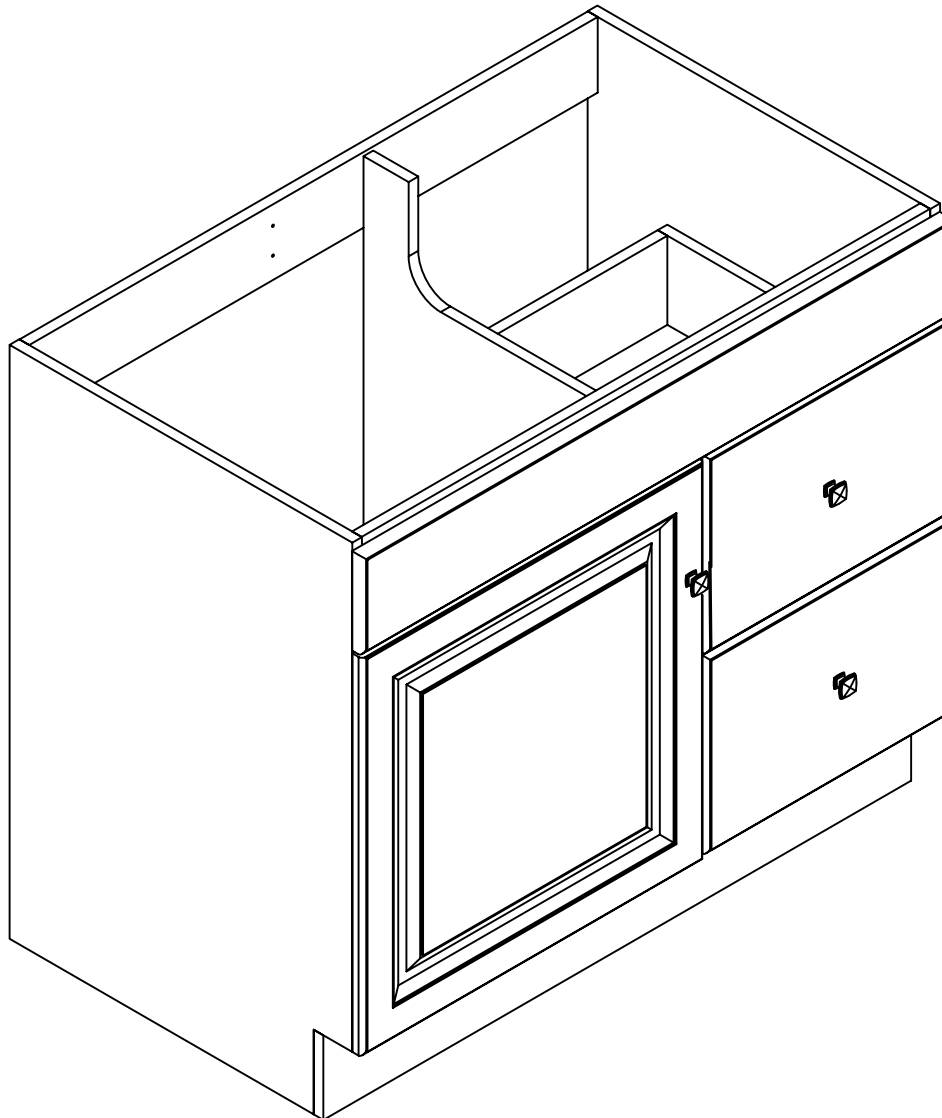
n. KNOB BOLT 3PCS



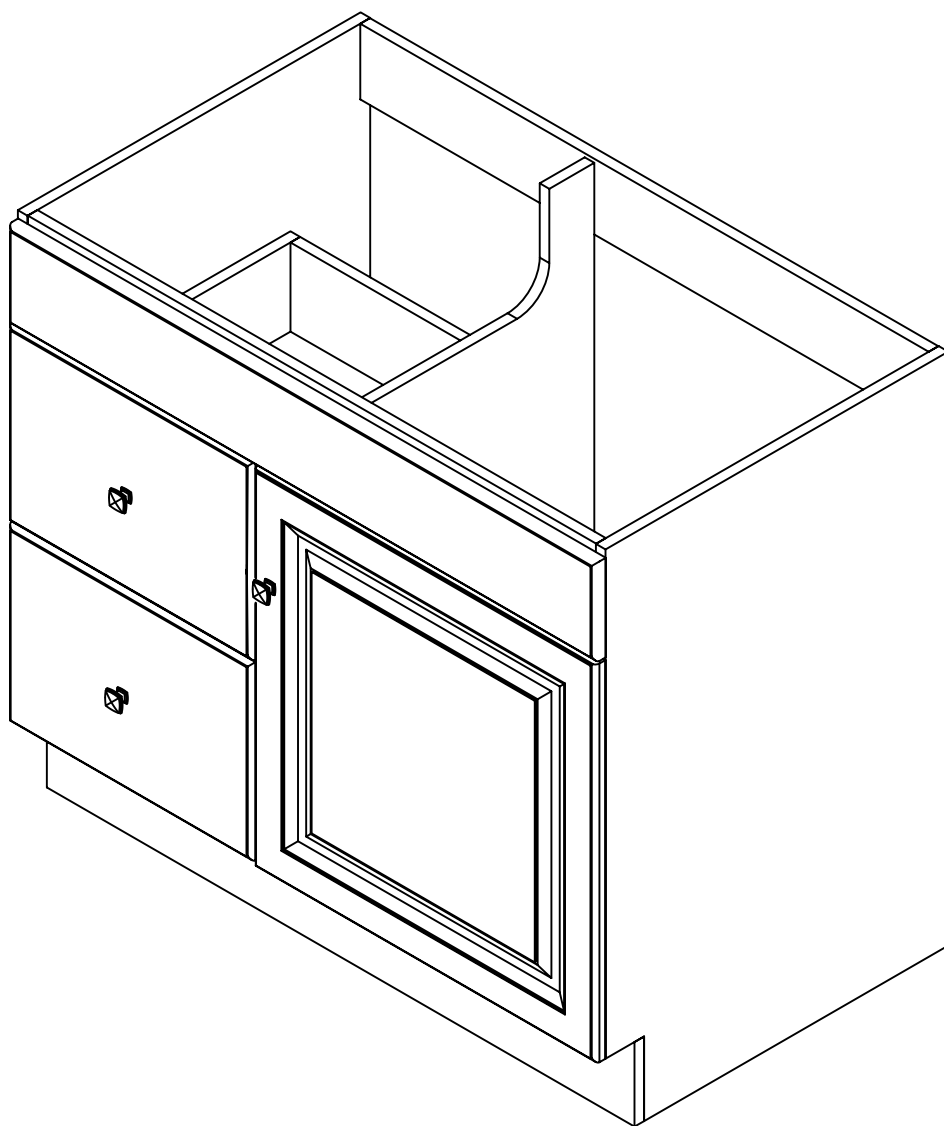
o. WRENCH 1PC



p. GLUE 1PC

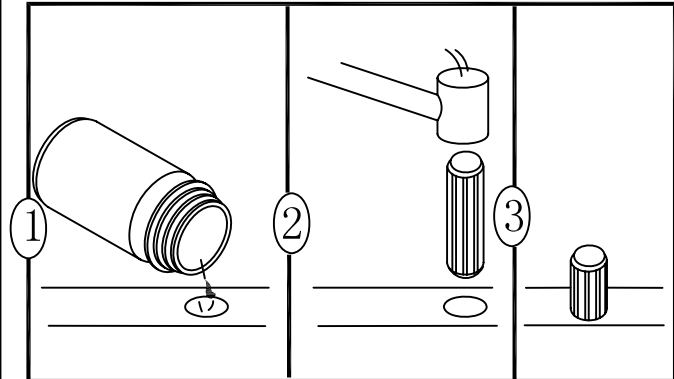
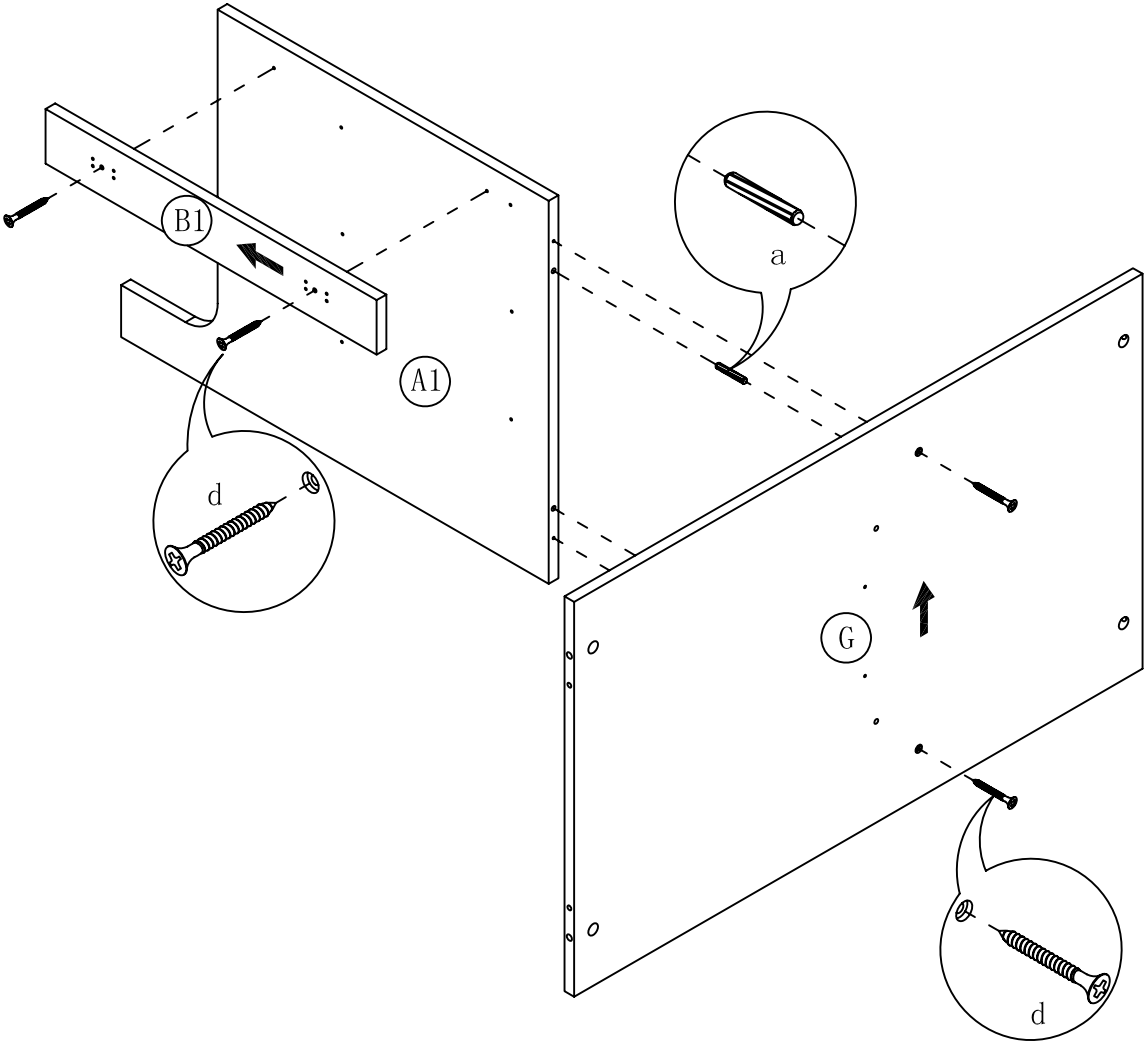
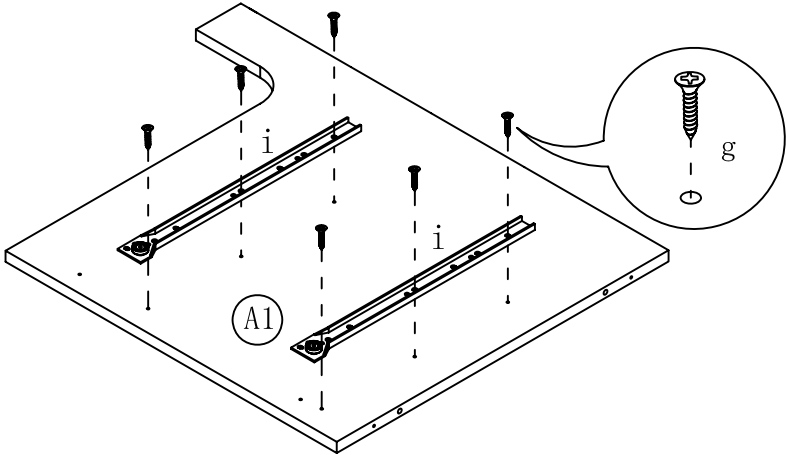


PLEASE FOLLOW STEP1~STEP11 IF YOU
WOULD LIKE THE DOOR INSTALL ON THE
LEFT SIDE AND THE DRAWERS INSTALL
ON THE RIGHT SIDE

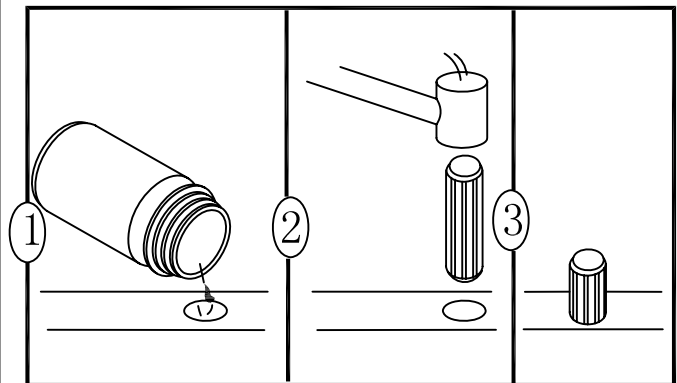
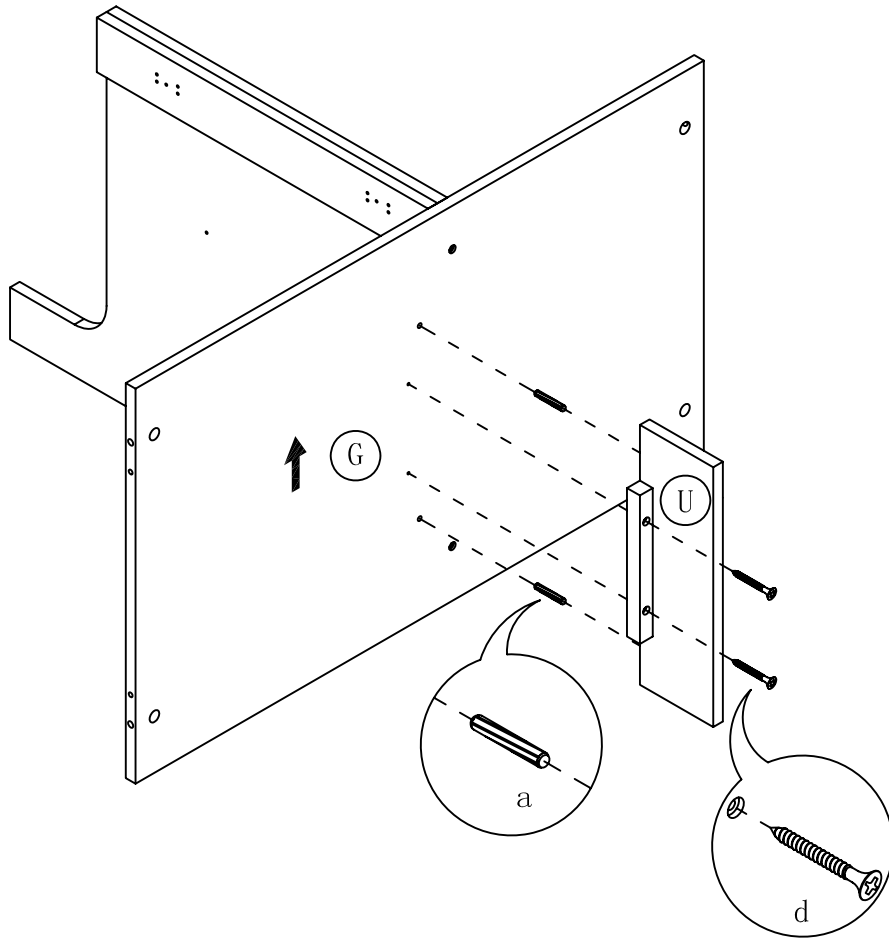


PLEASE FOLLOW STEP12~STEP22 IF YOU
WOULD LIKE THE DOOR INSTALL ON THE
RIGHT SIDE AND THE DRAWERS INSTALL
ON THE LEFT SIDE

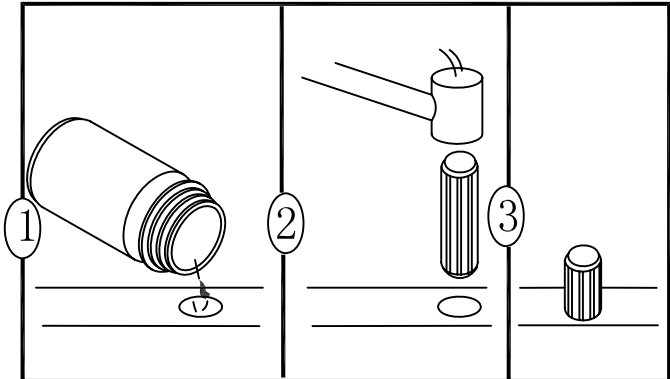
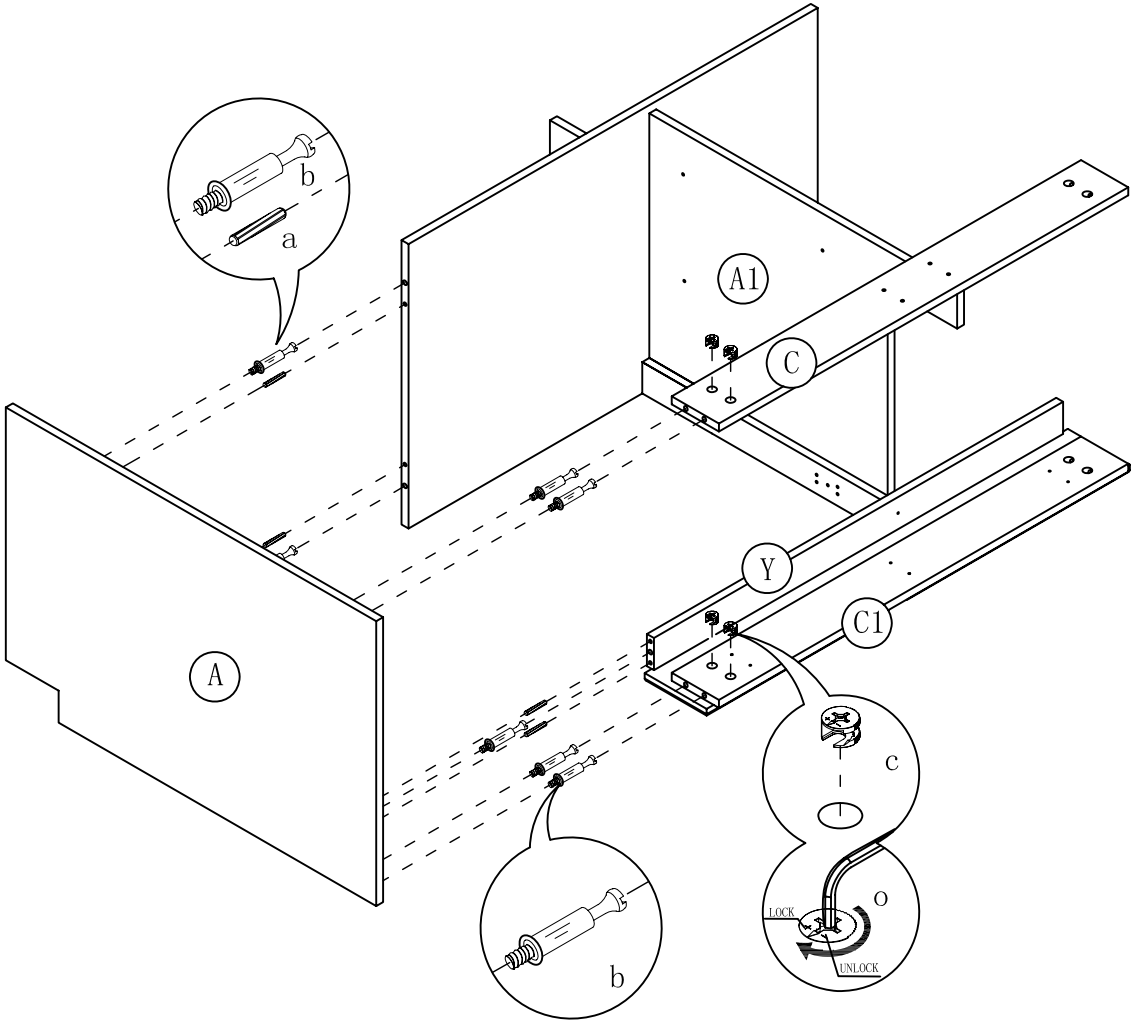
STEP 1



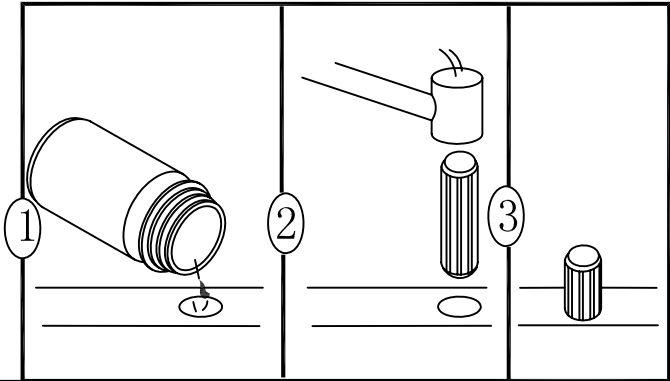
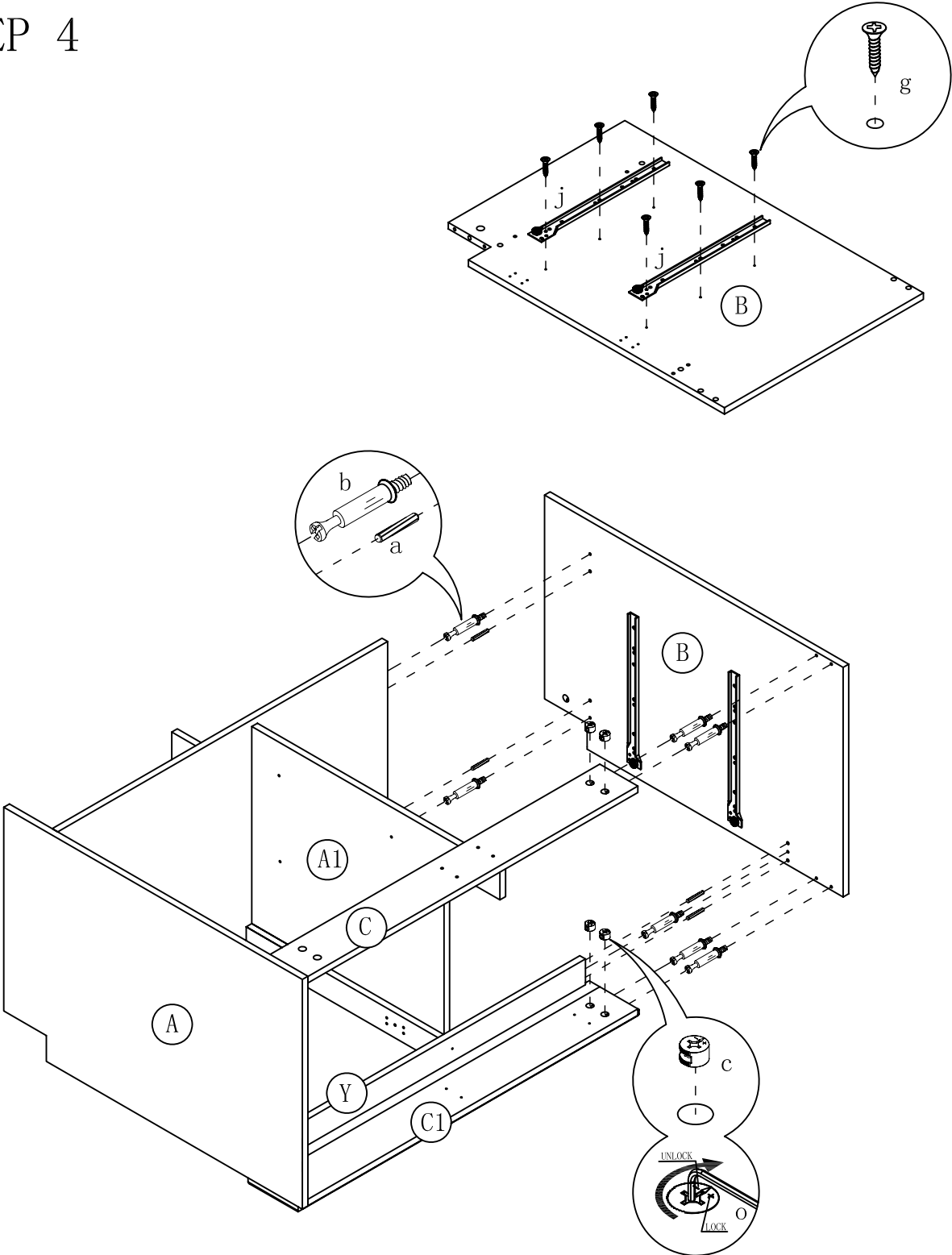
STEP 2



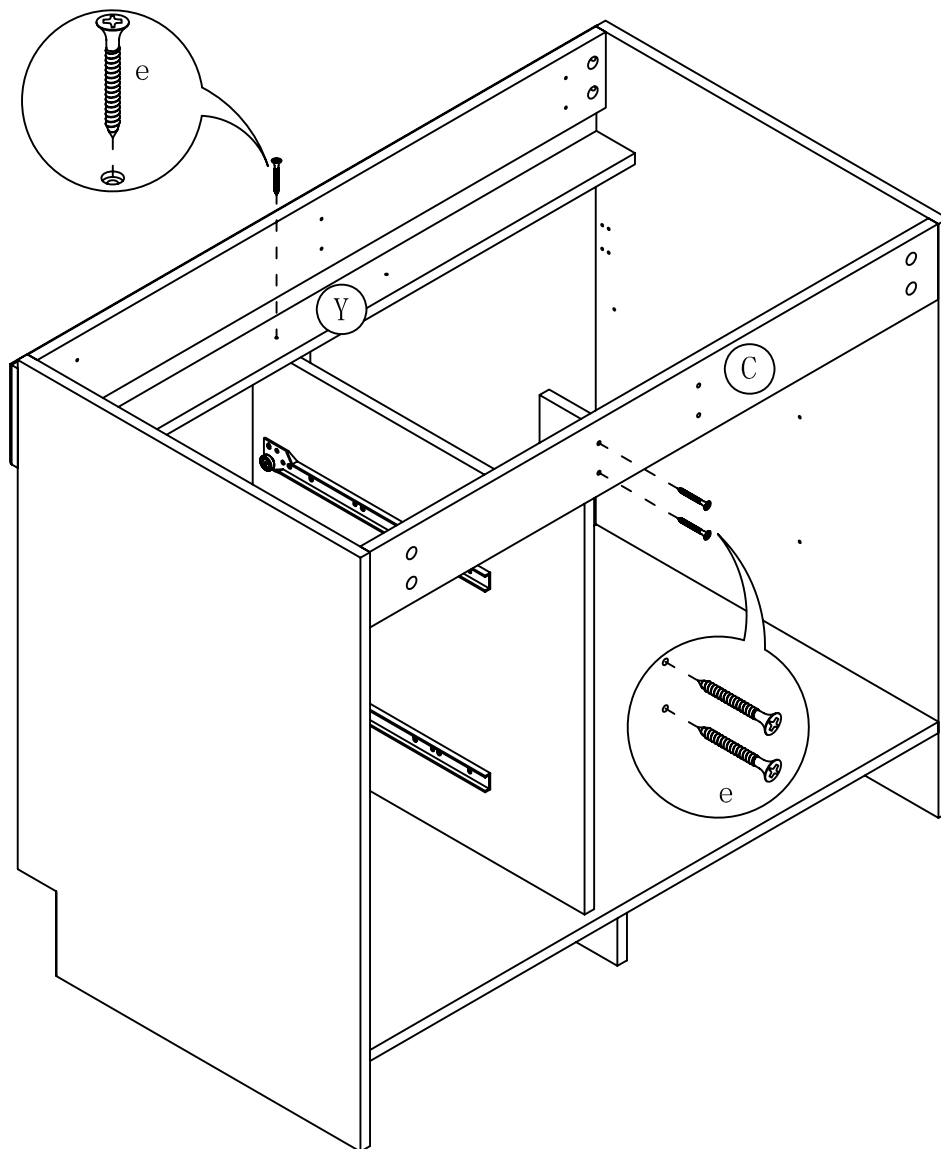
STEP 3



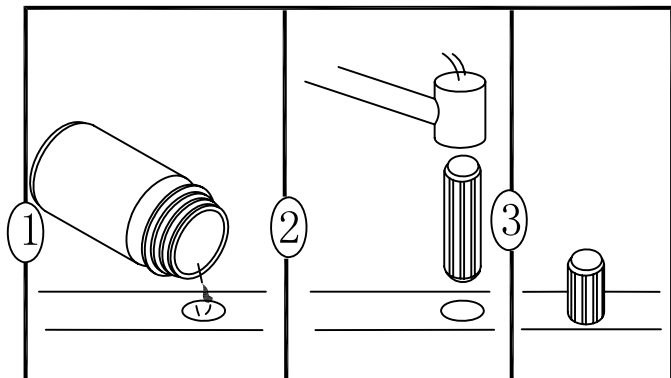
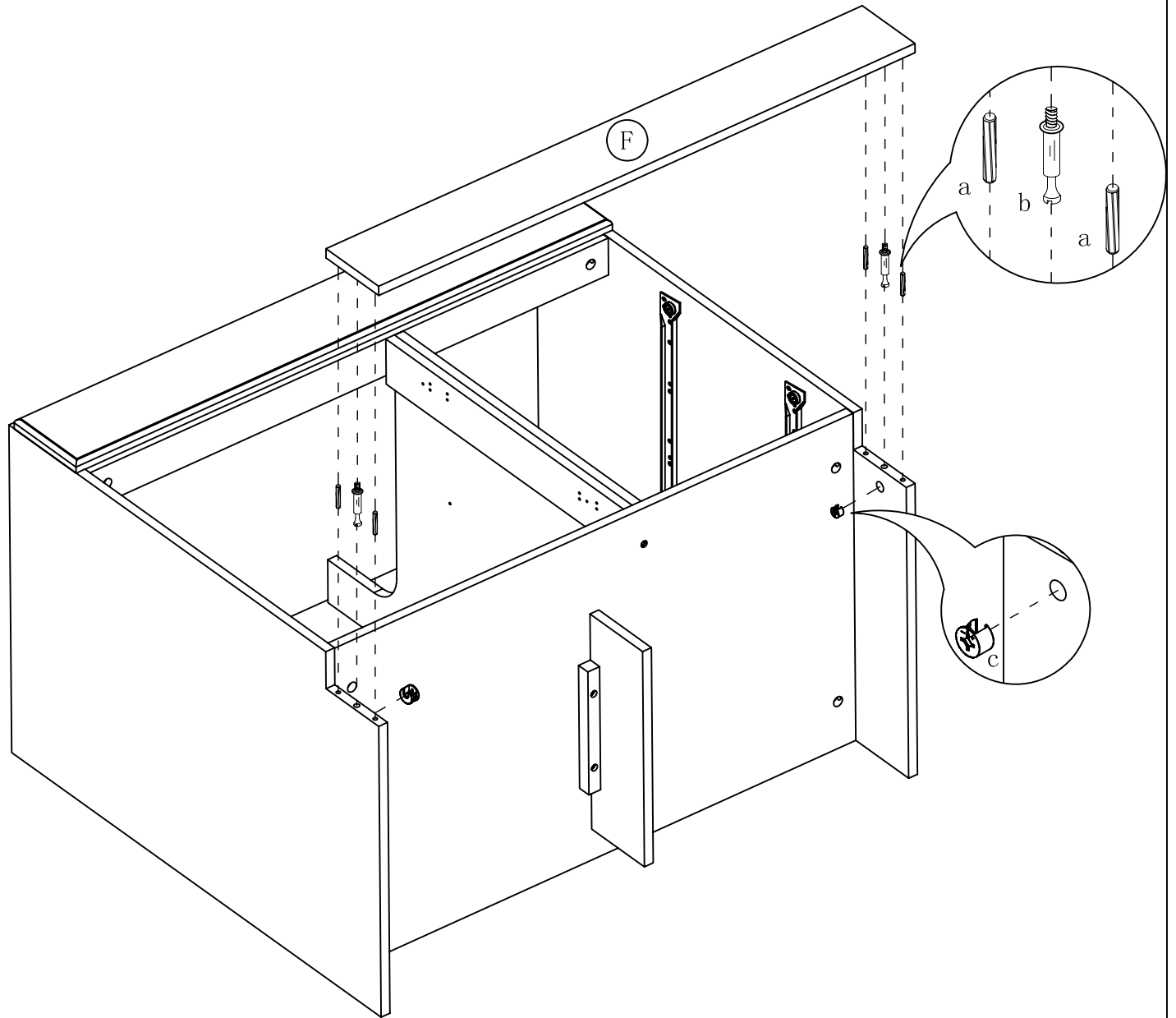
STEP 4



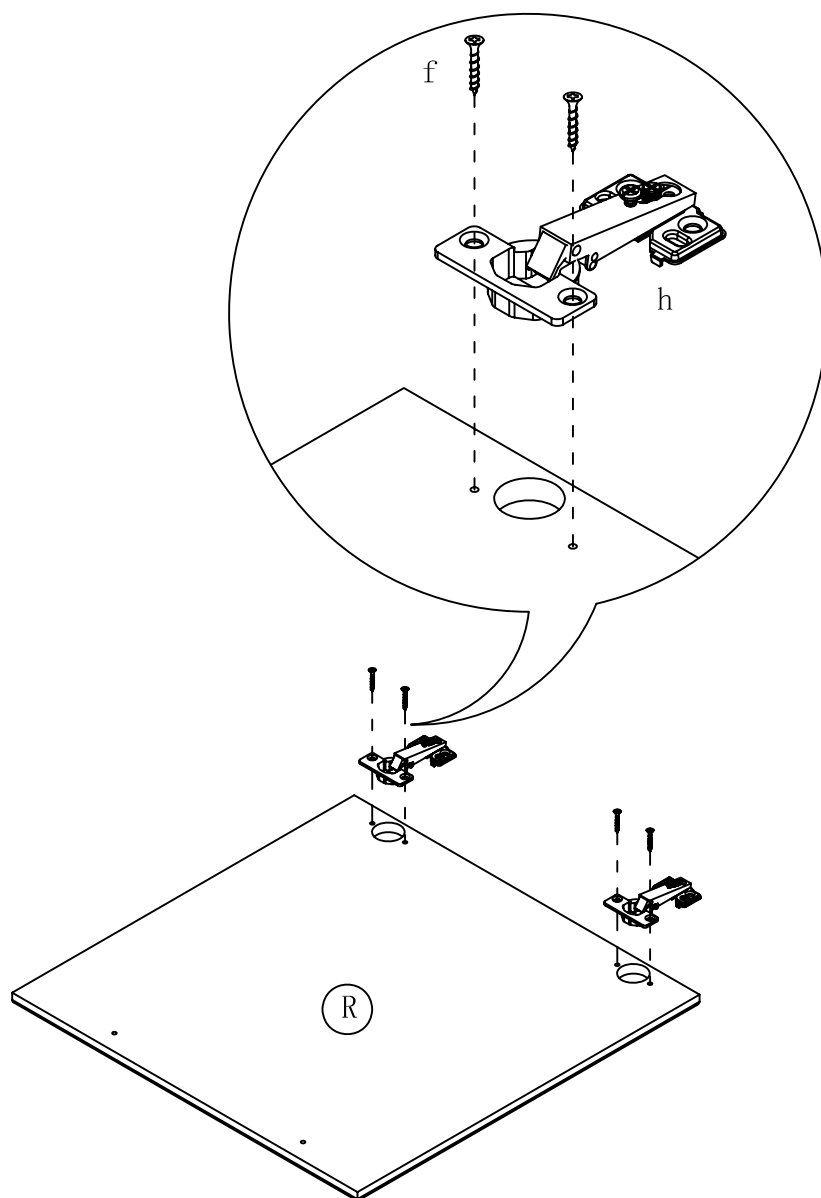
STEP 5



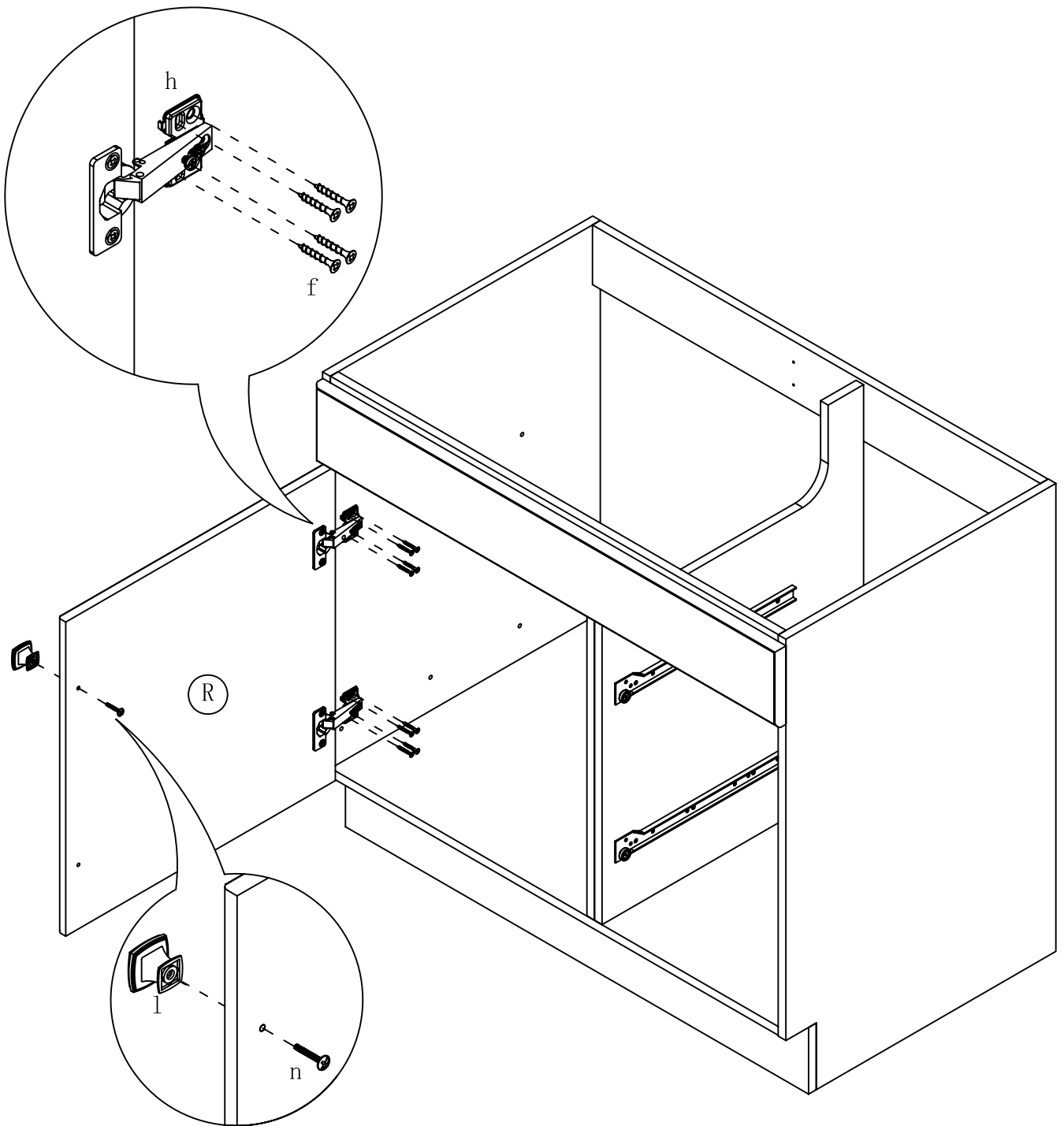
STEP 6



STEP 7

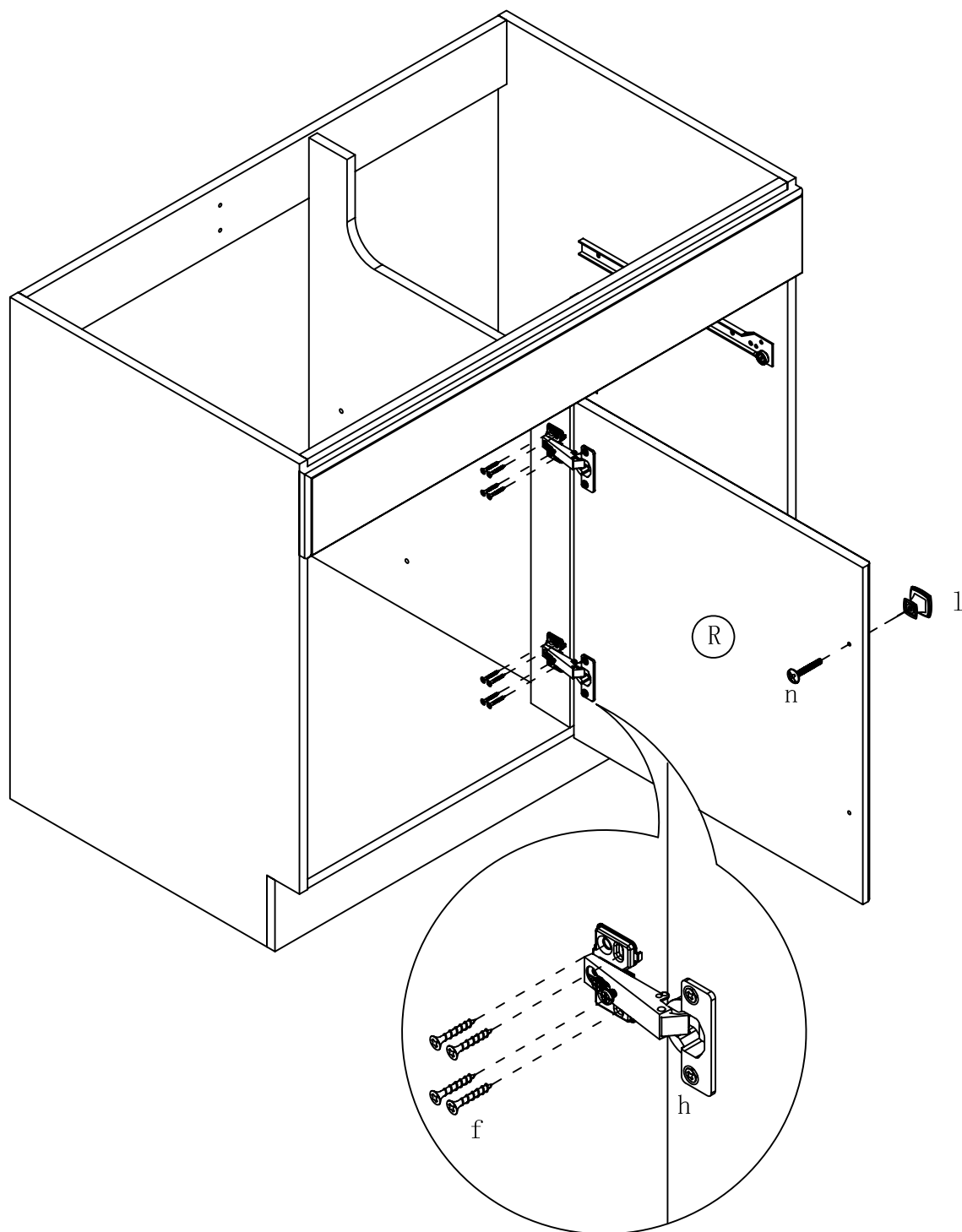


STEP 8



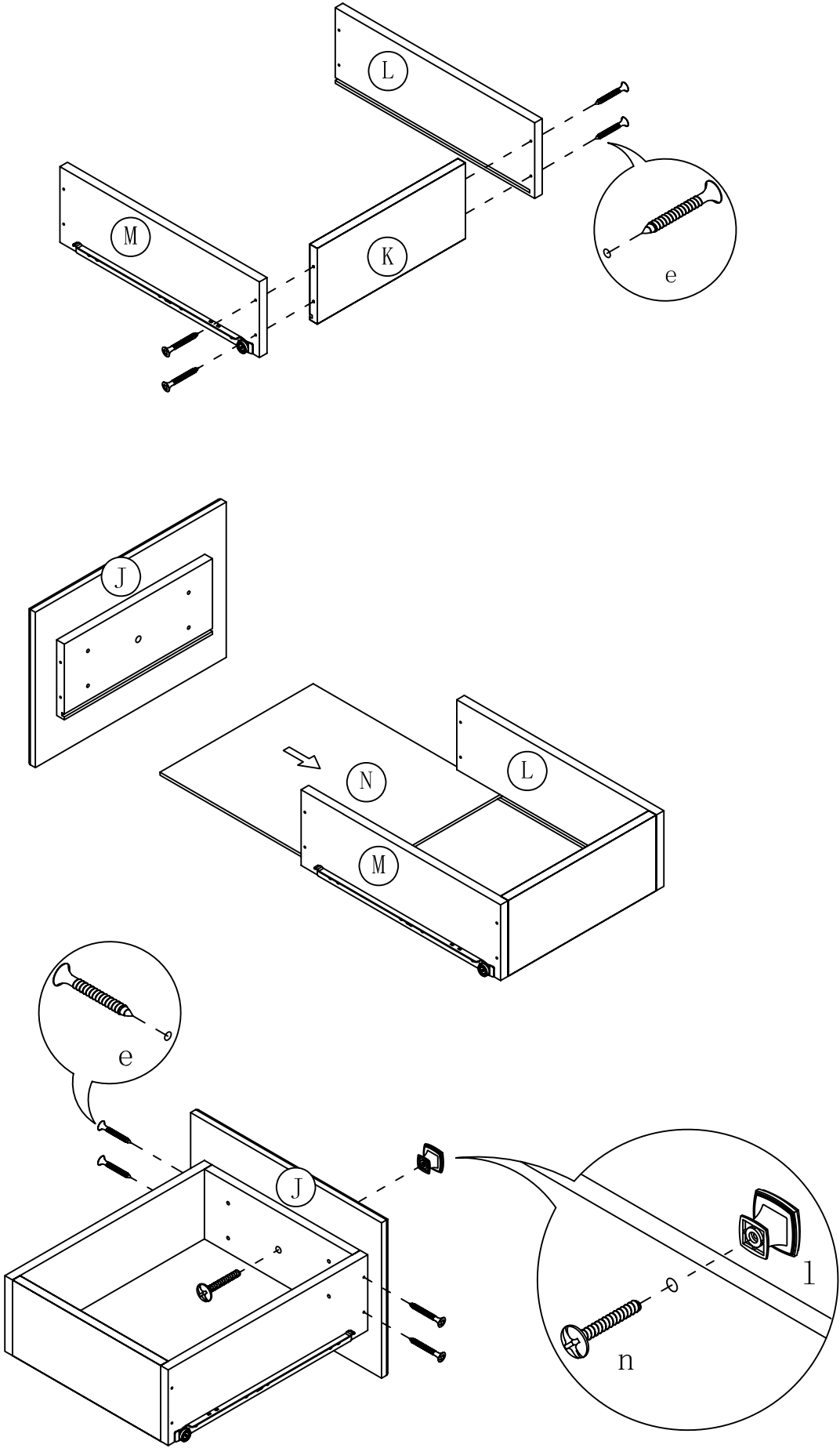
PLEASE FOLLOW STEP 8 IF
YOU WOULD LIKE THE
DOOR OPEN FROM THE
LEFT

STEP 9

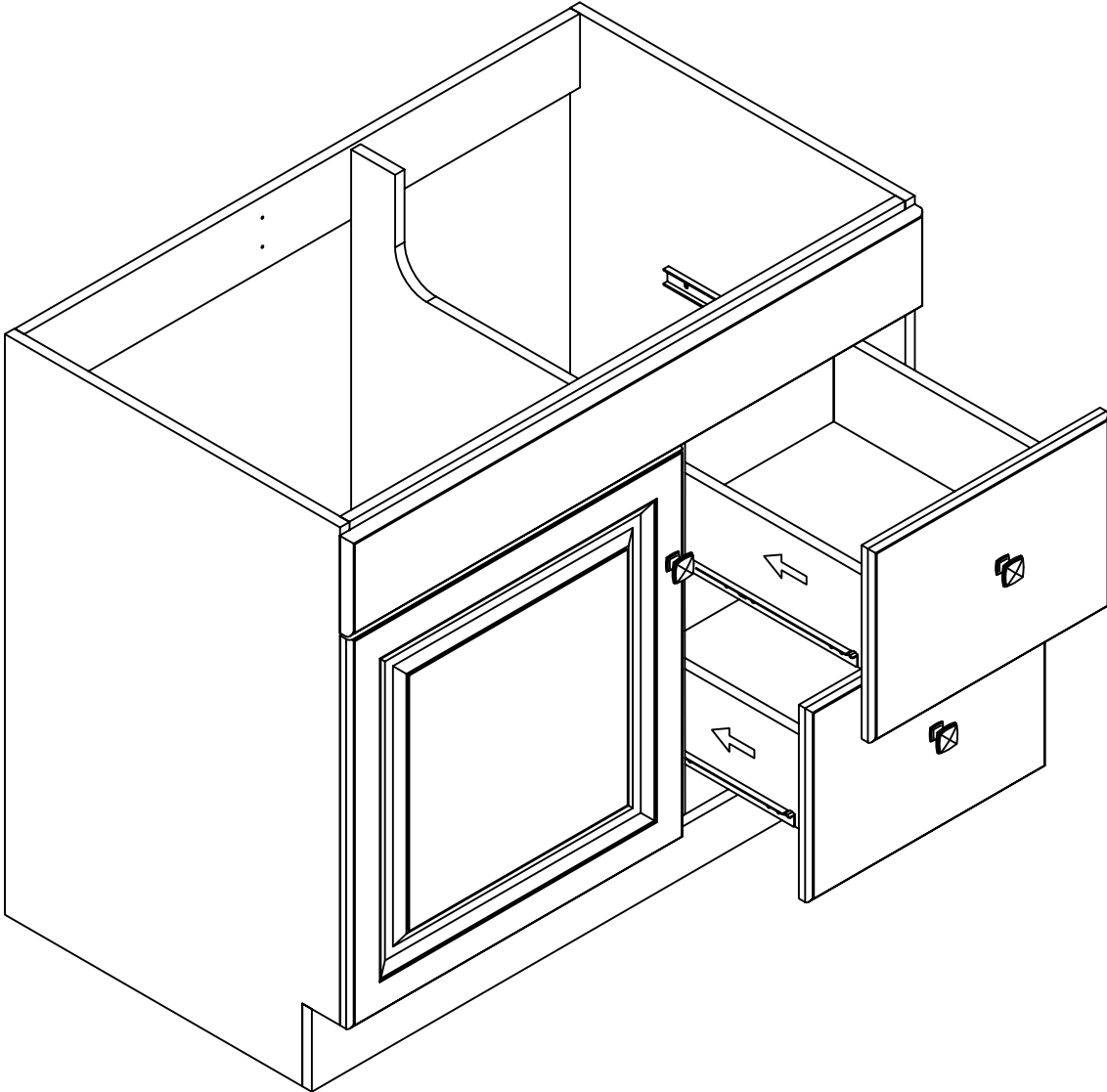


PLEASE FOLLOW STEP 9 IF
YOU WOULD LIKE THE
DOOR OPEN FROM THE
RIGHT

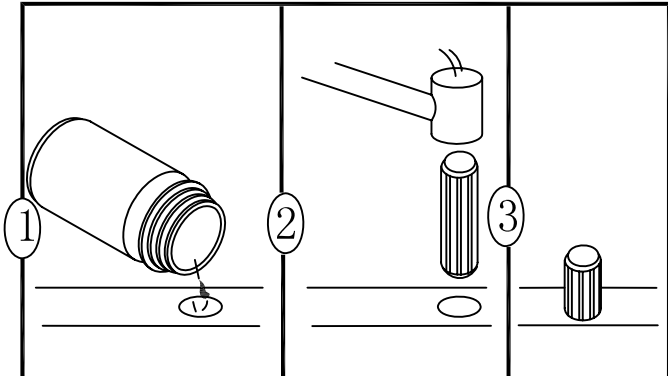
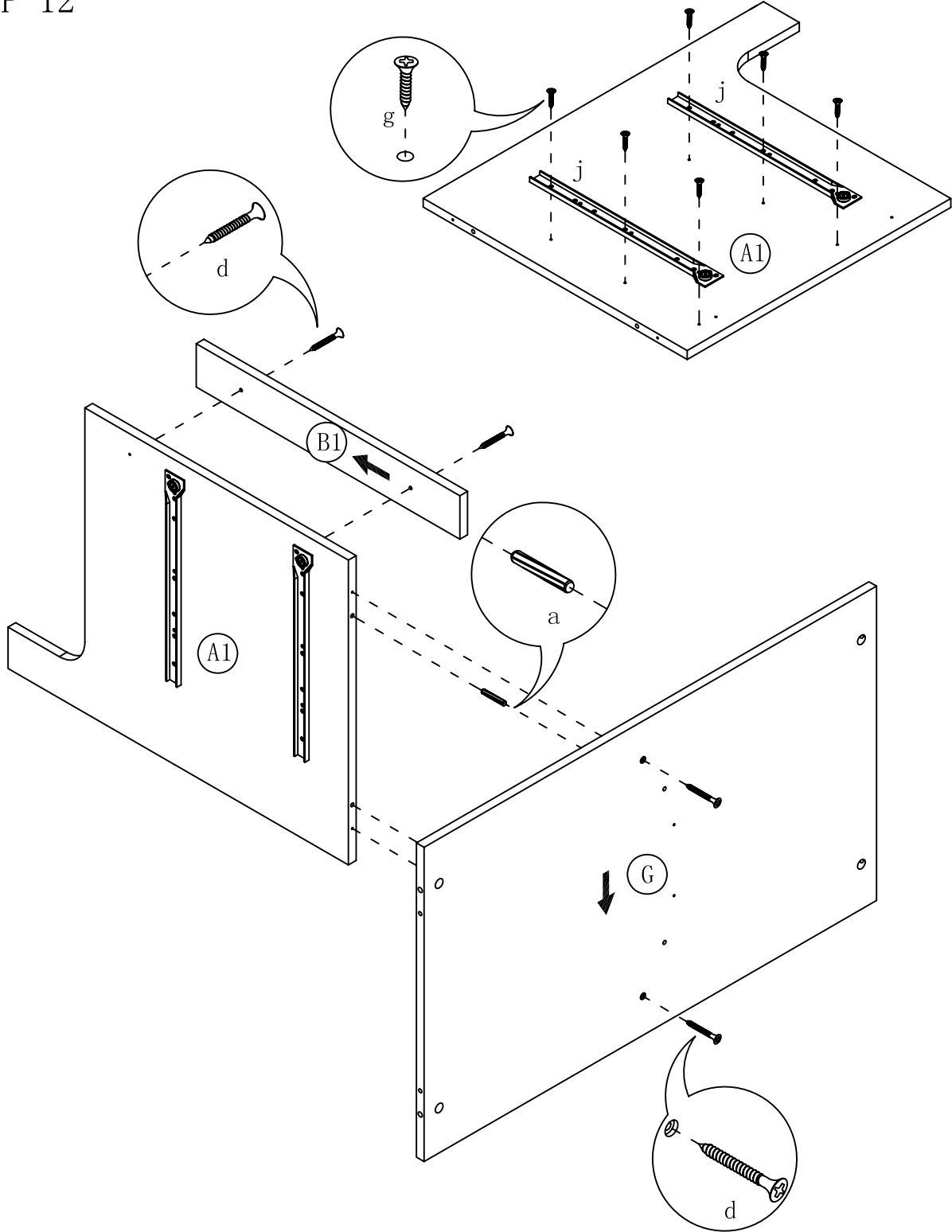
STEP 10



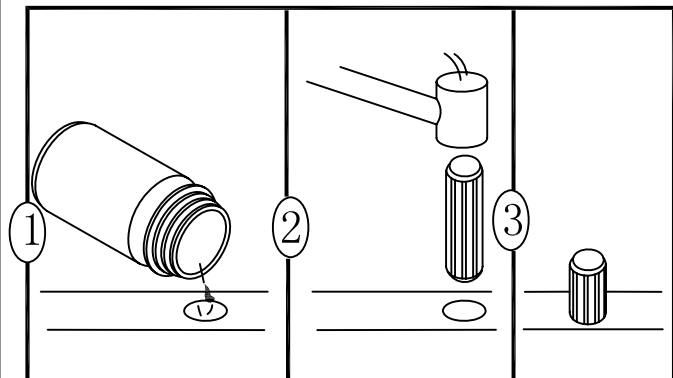
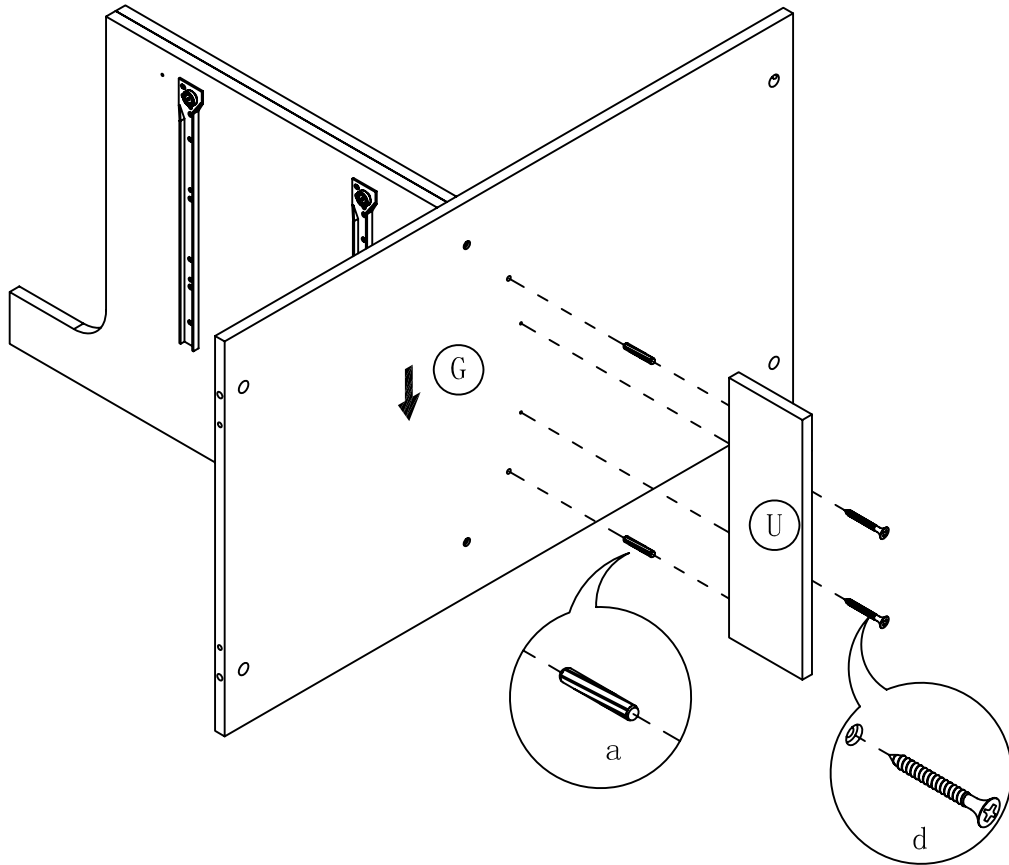
STEP 11



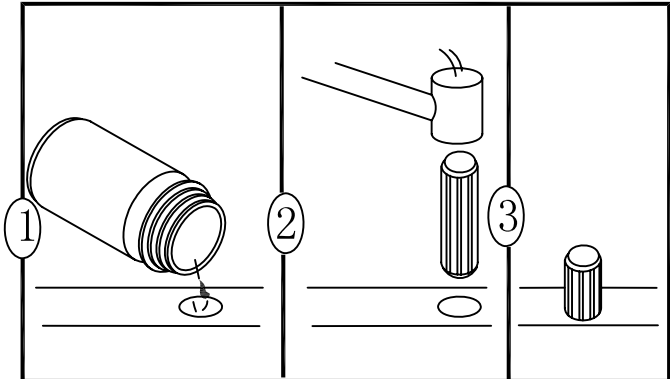
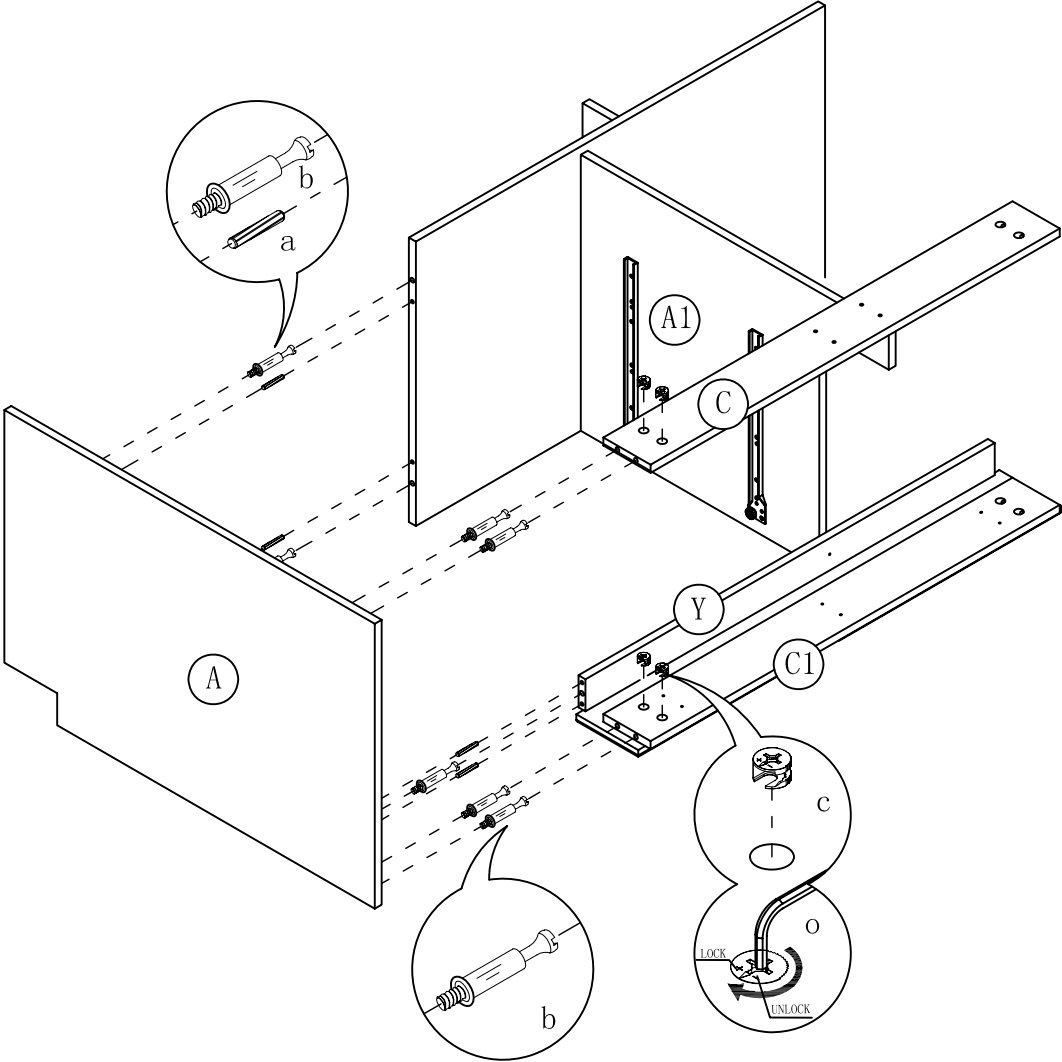
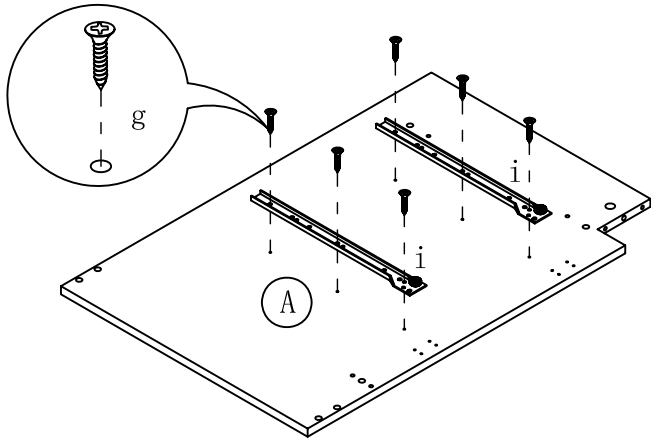
STEP 12



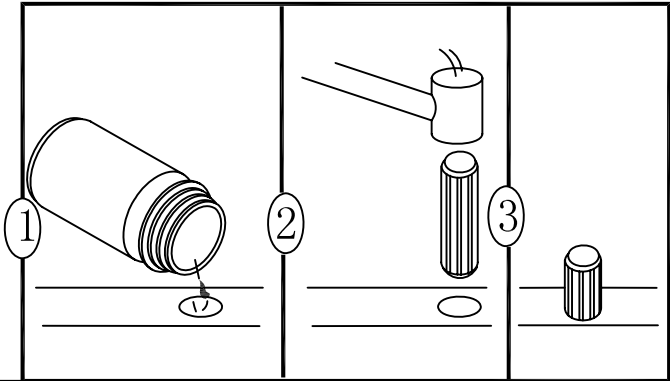
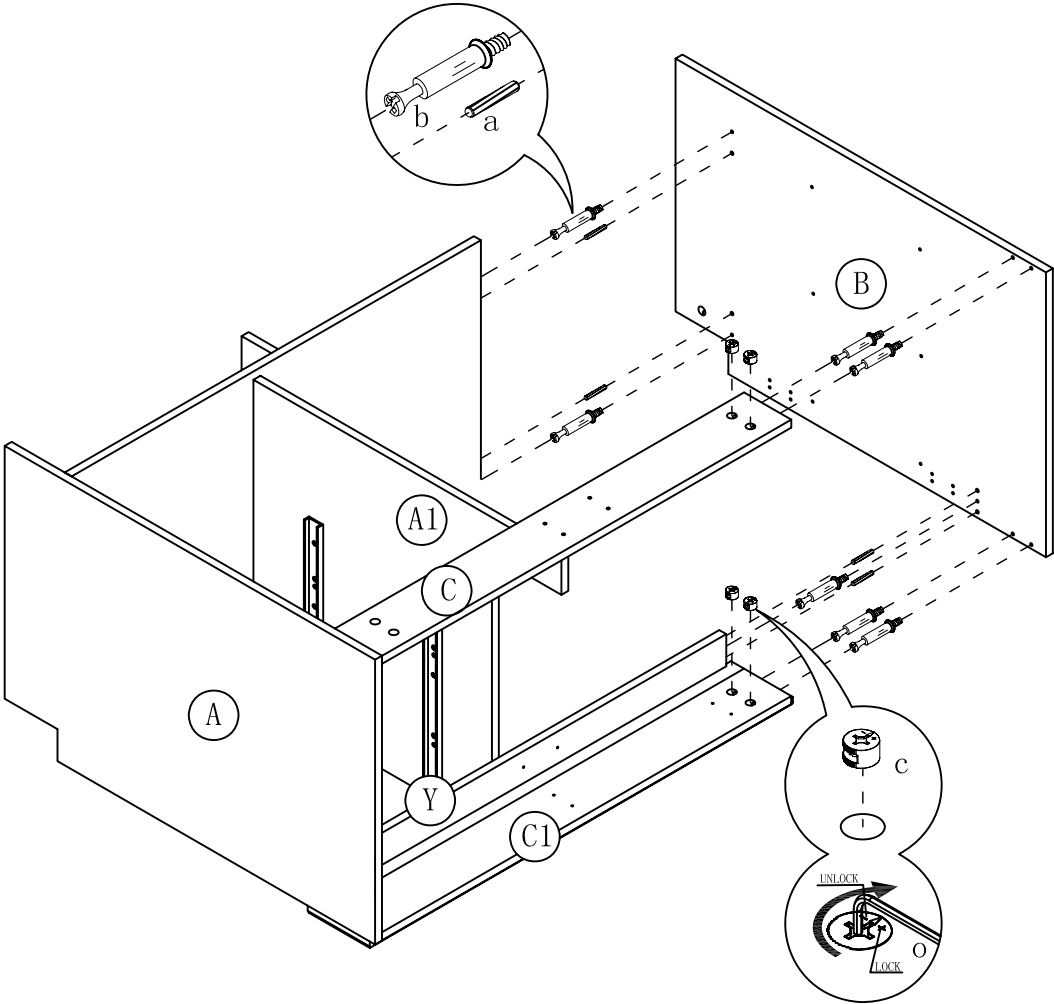
STEP 13



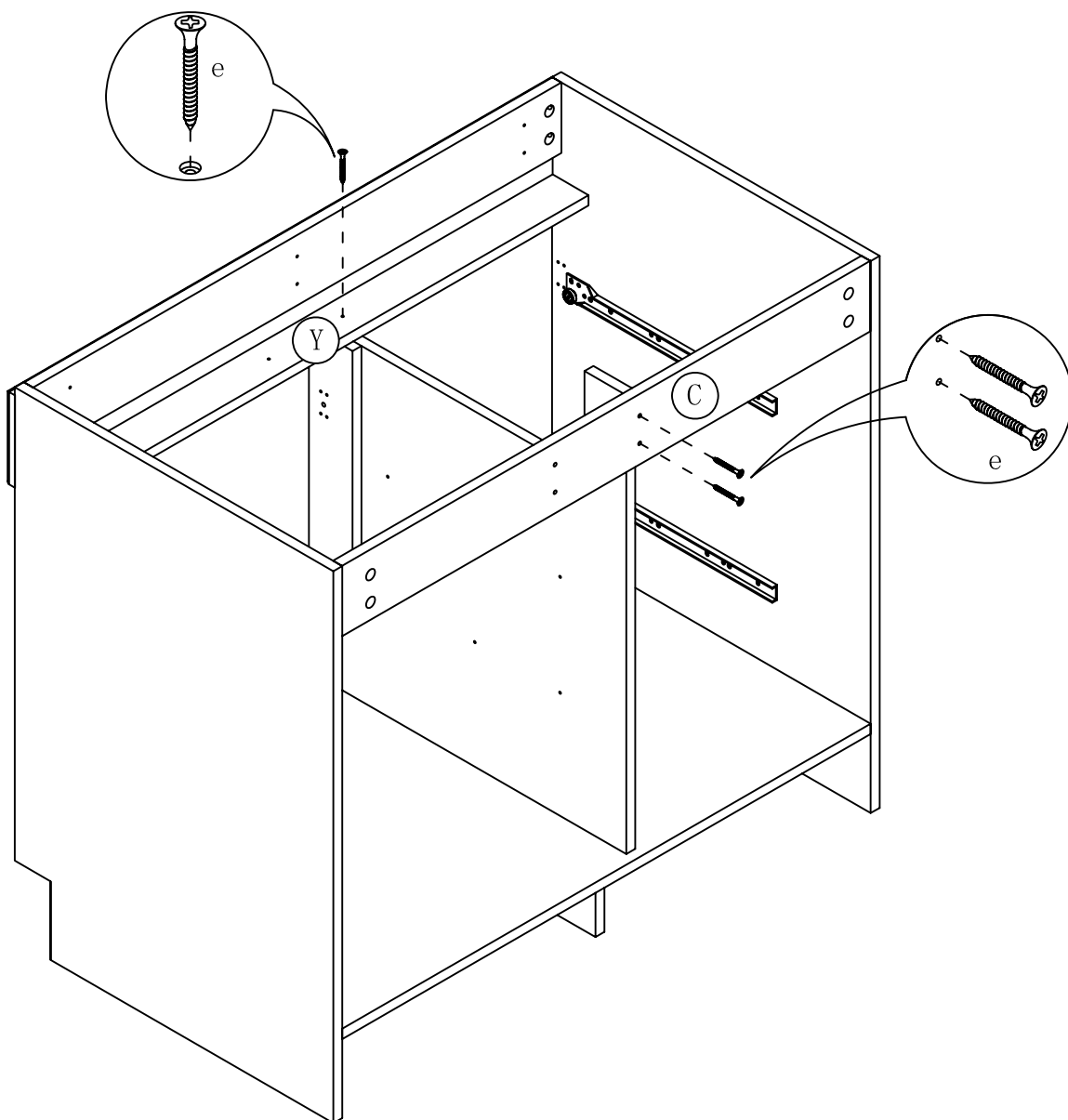
STEP 14



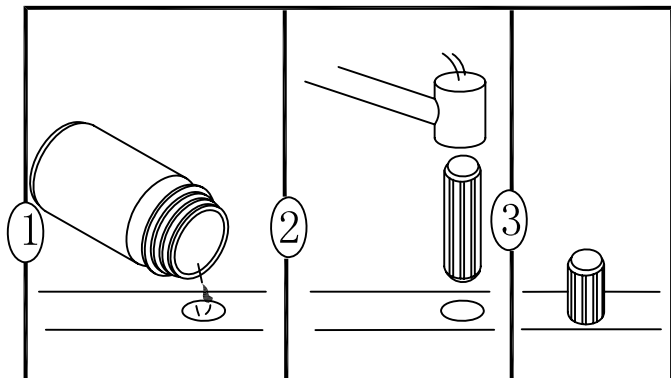
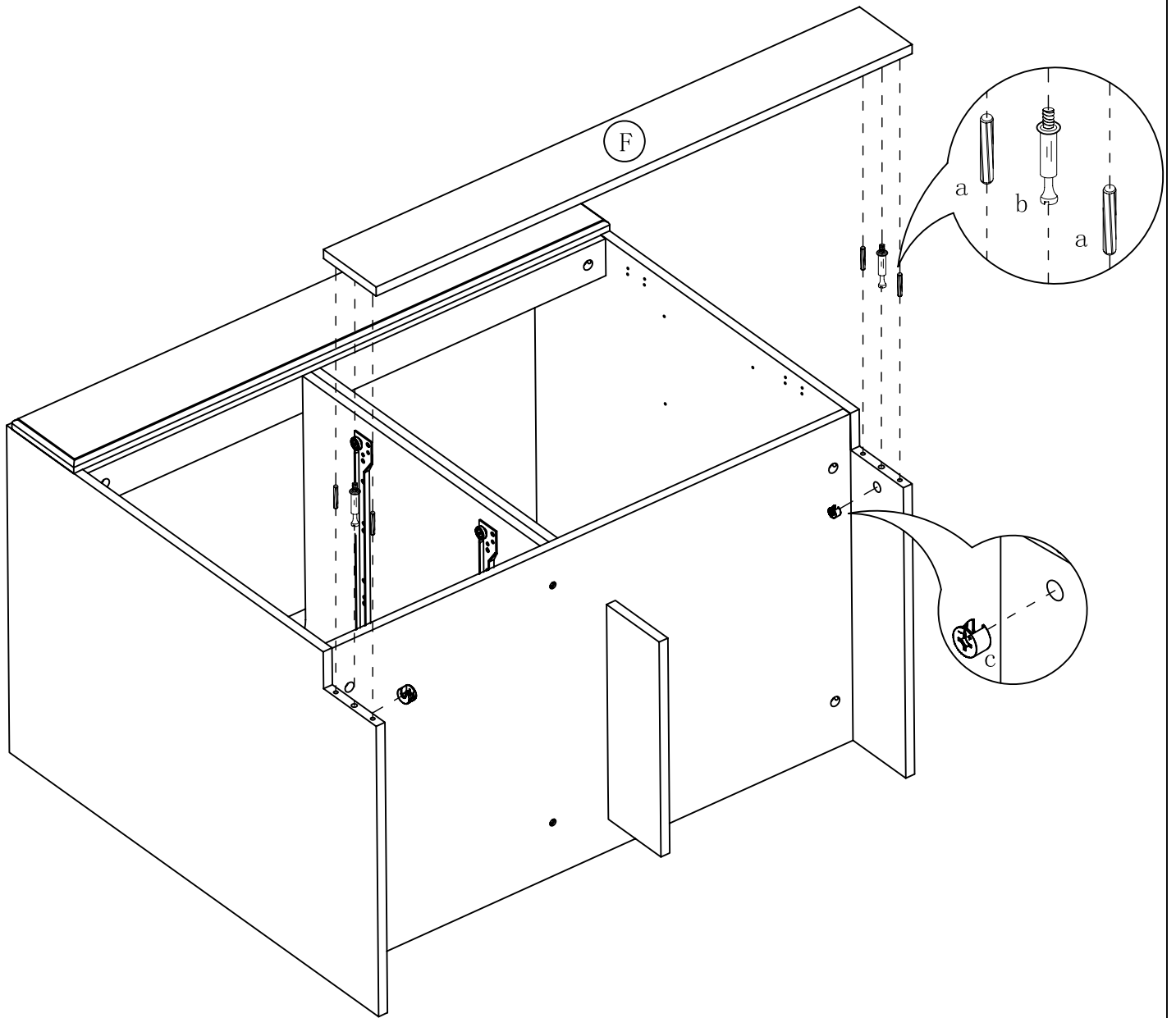
STEP 15



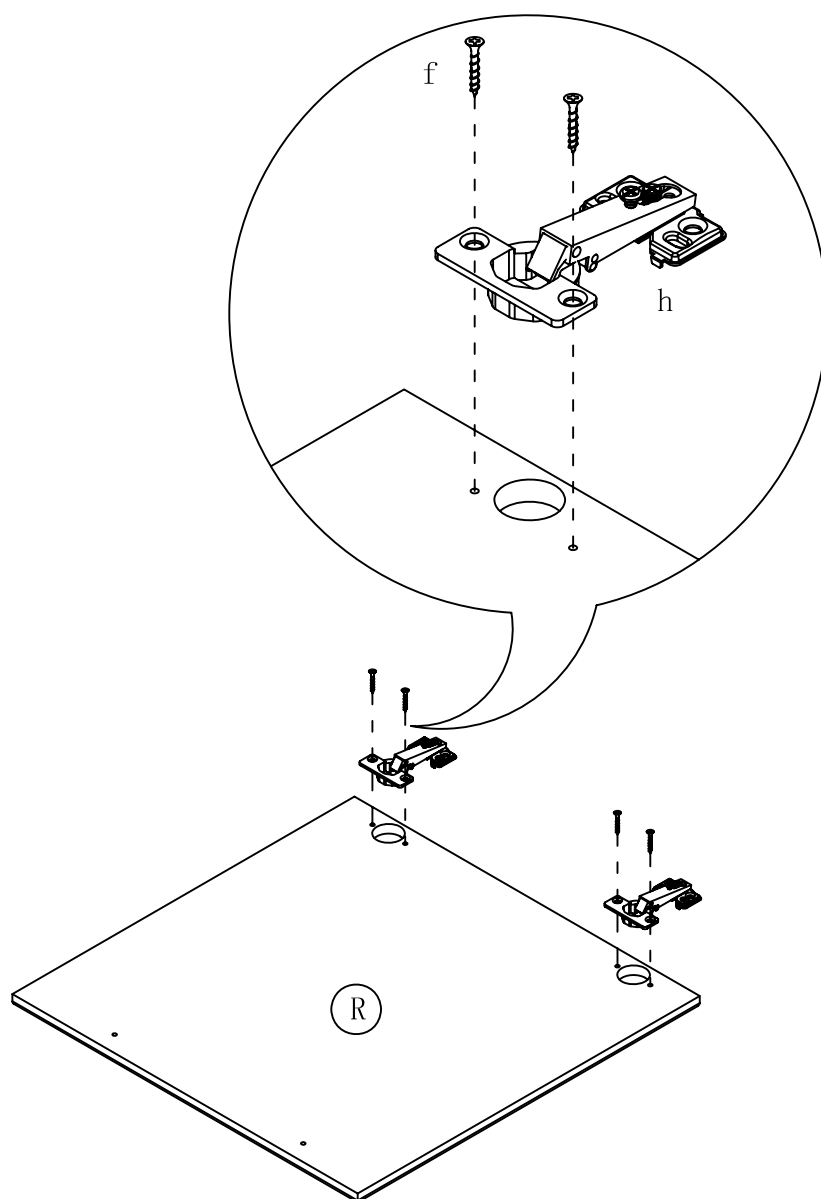
STEP 16



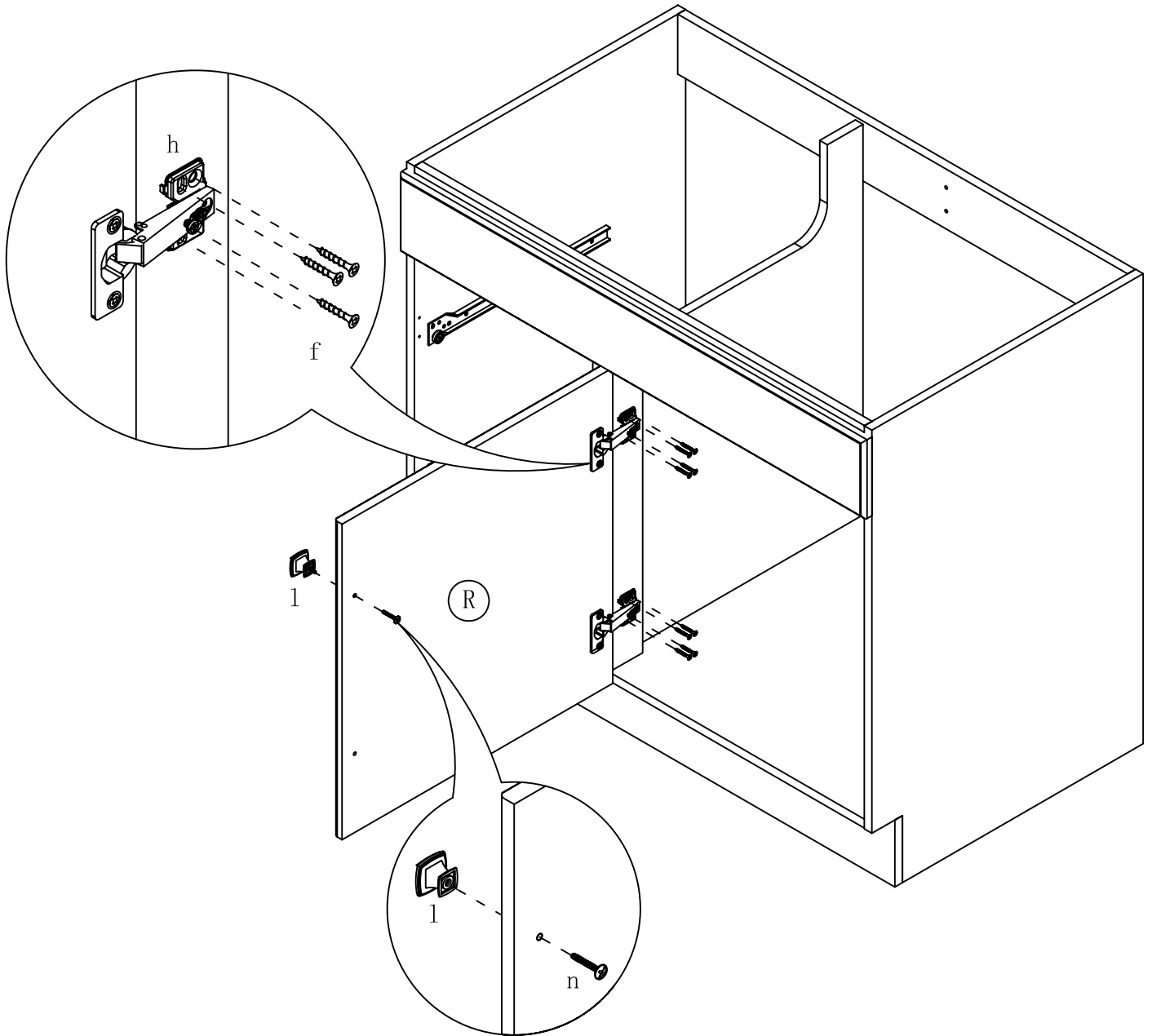
STEP 17



STEP 18

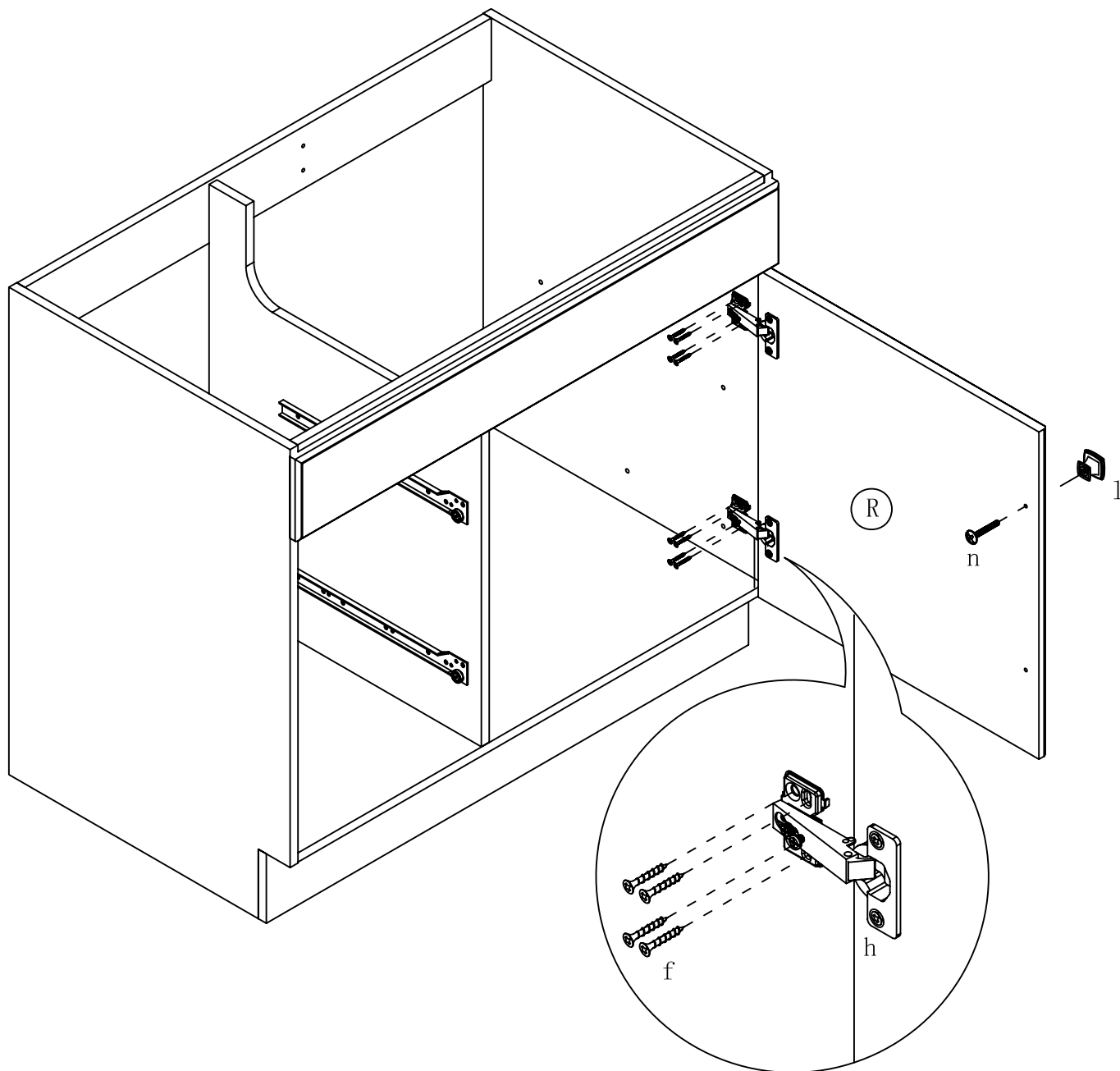


STEP 19



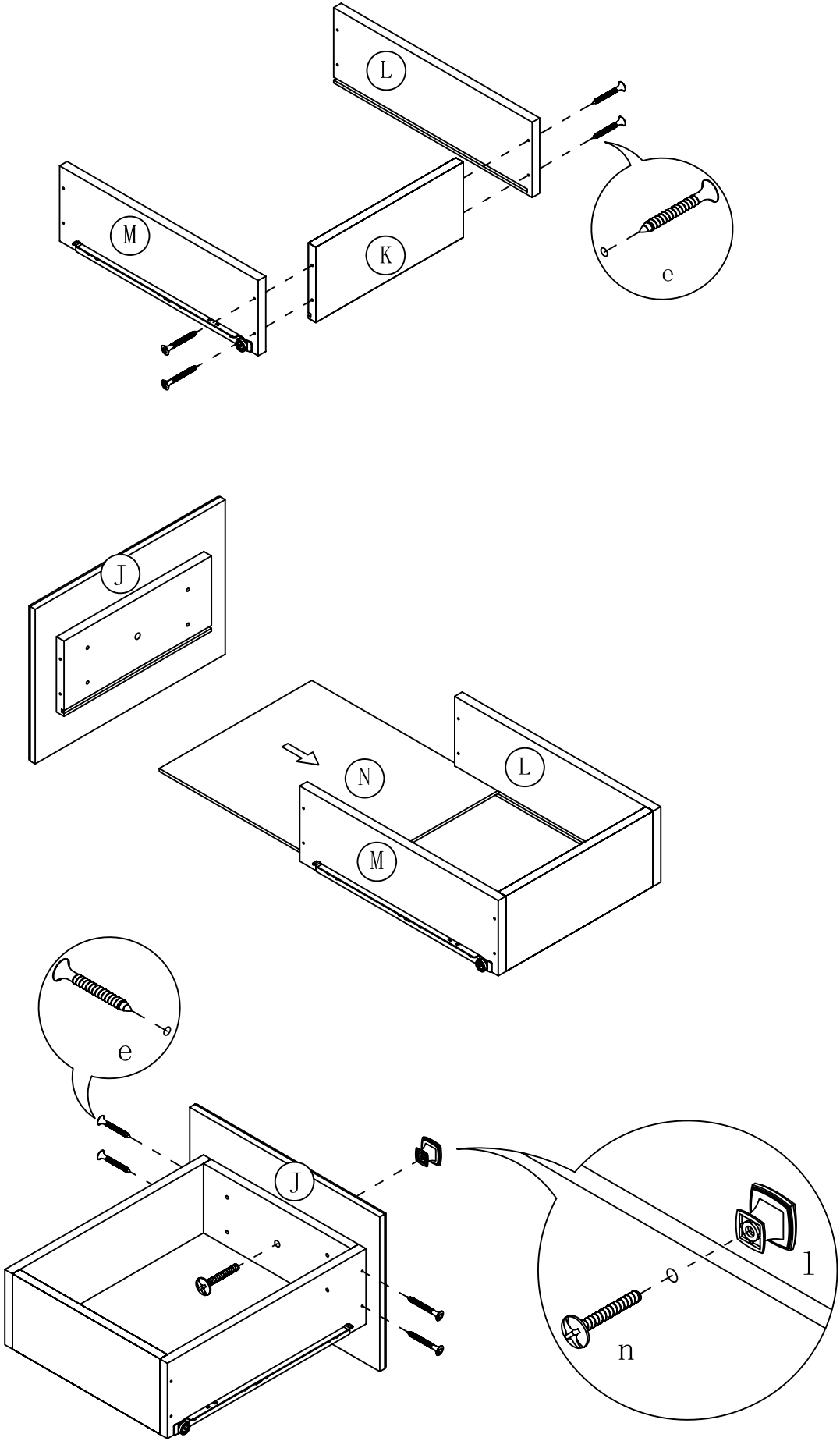
PLEASE FOLLOW STEP 19 IF
YOU WOULD LIKE THE
DOOR OPEN FROM THE
LEFT

STEP 20



PLEASE FOLLOW STEP 20 IF
YOU WOULD LIKE THE
DOOR OPEN FROM THE
RIGHT

STEP 21



STEP 22

