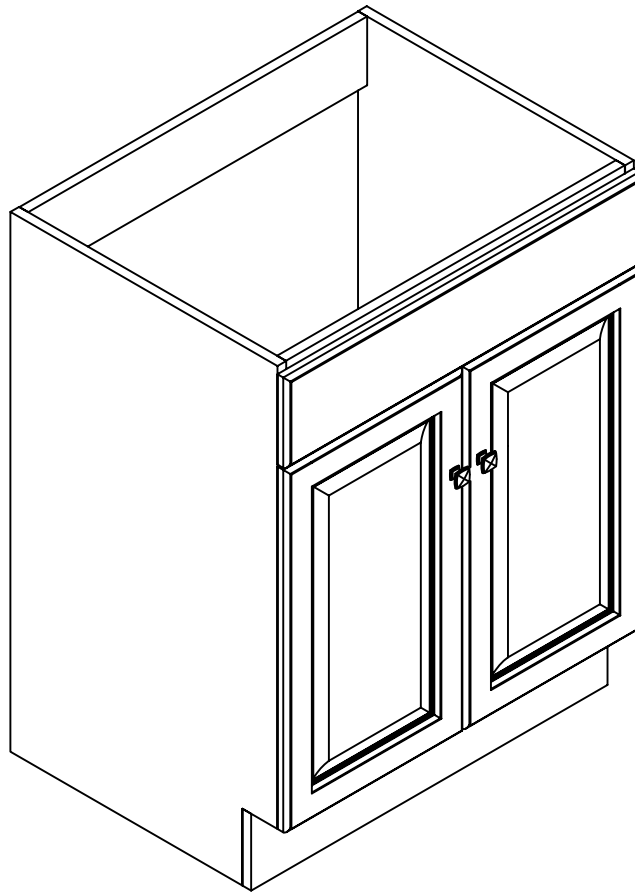


# Brighton MANOR™

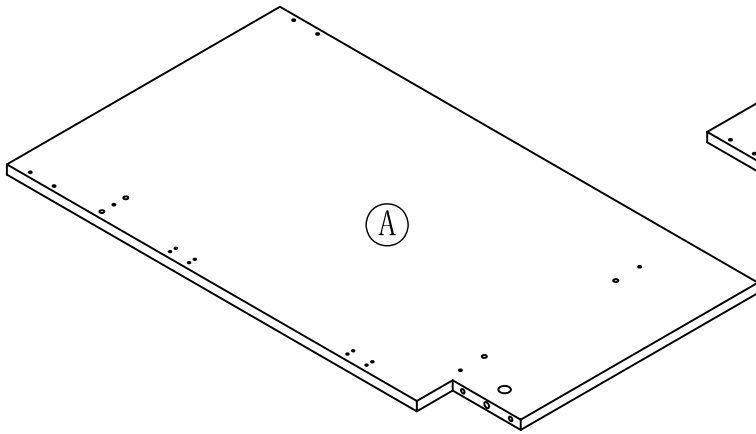
---

## ASSEMBLY INSTRUCTIONS Double Door Bathroom Vanity-White

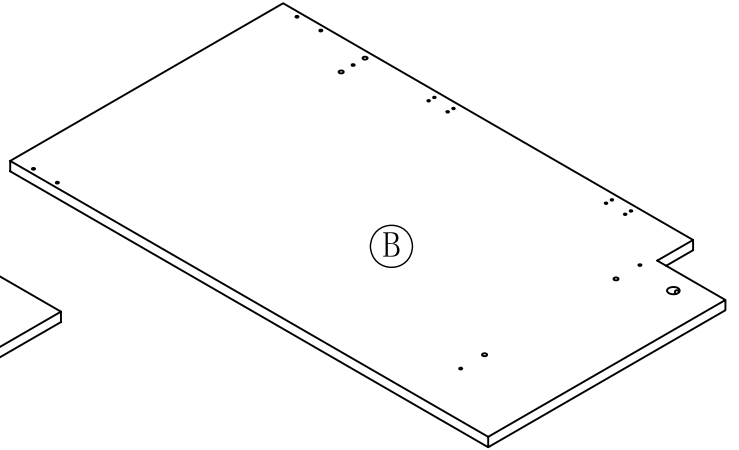


Distributed by:  
HD Supply Facilities Maintenance, Ltd.  
10641 Scripps Summit Court  
San Diego, CA 92131  
1-800-431-3000  
[www.hdsupplysolutions.com](http://www.hdsupplysolutions.com)  
MADE IN CHINA

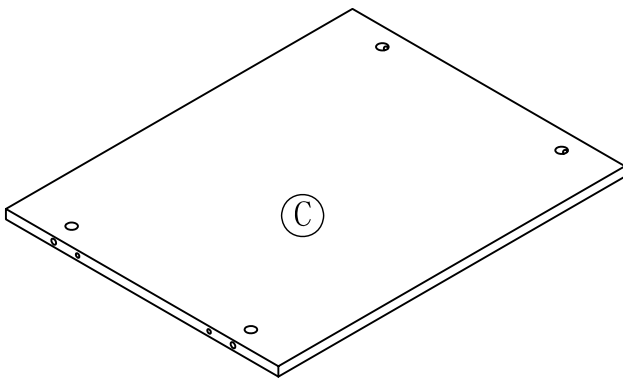
# PARTS LIST:



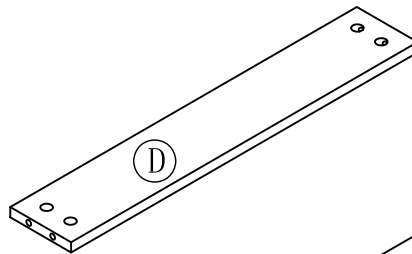
LEFT SIDE PANEL 1PC



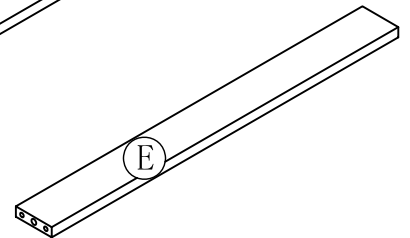
RIGHT SIDE PANEL 1PC



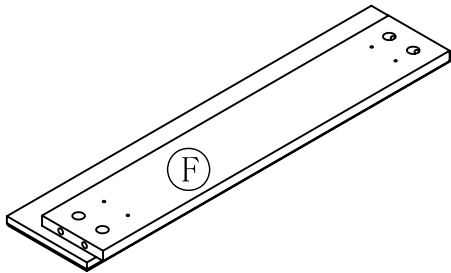
BOTTOM PANEL 1PC



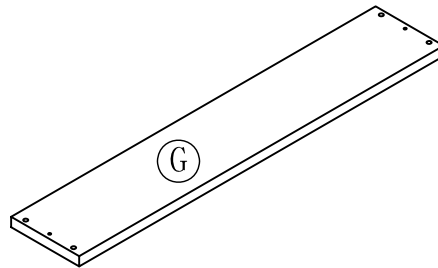
BACK CROSS BRACE 1PC



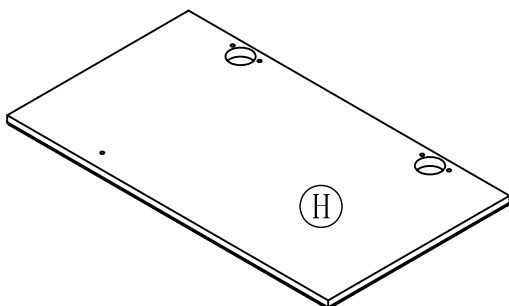
FRONT CROSS BRACE 1PC



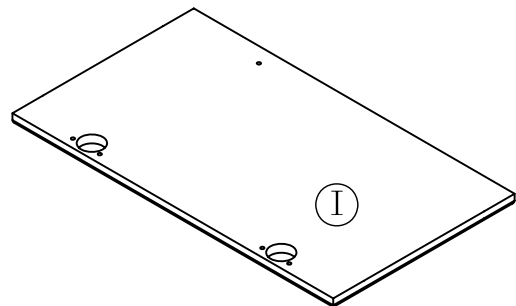
FALSE DRAWER FRONT 1PC



TOE KICK PANEL 1PC



LEFT SIDE DOOR 1PC

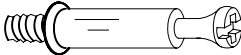


RIGET SIDE DOOR 1PC

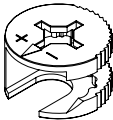
# HARDWARE LIST:



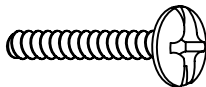
a. WOOD DOWEL 12PCS



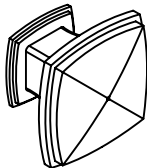
b. CAM LOCK SCREW 16PCS



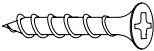
c. CAM LOCK 16PCS



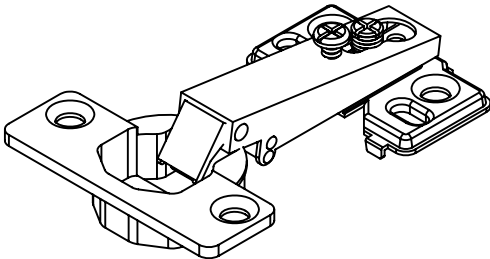
d. KNOB BOLT 2PCS



e. KNOB 2PCS



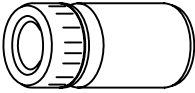
f. 5/8" L FLAT HEAD SCREW 24PCS



g. HINGE 4PCS

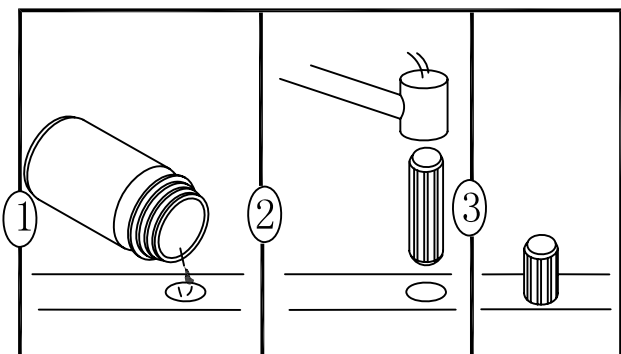
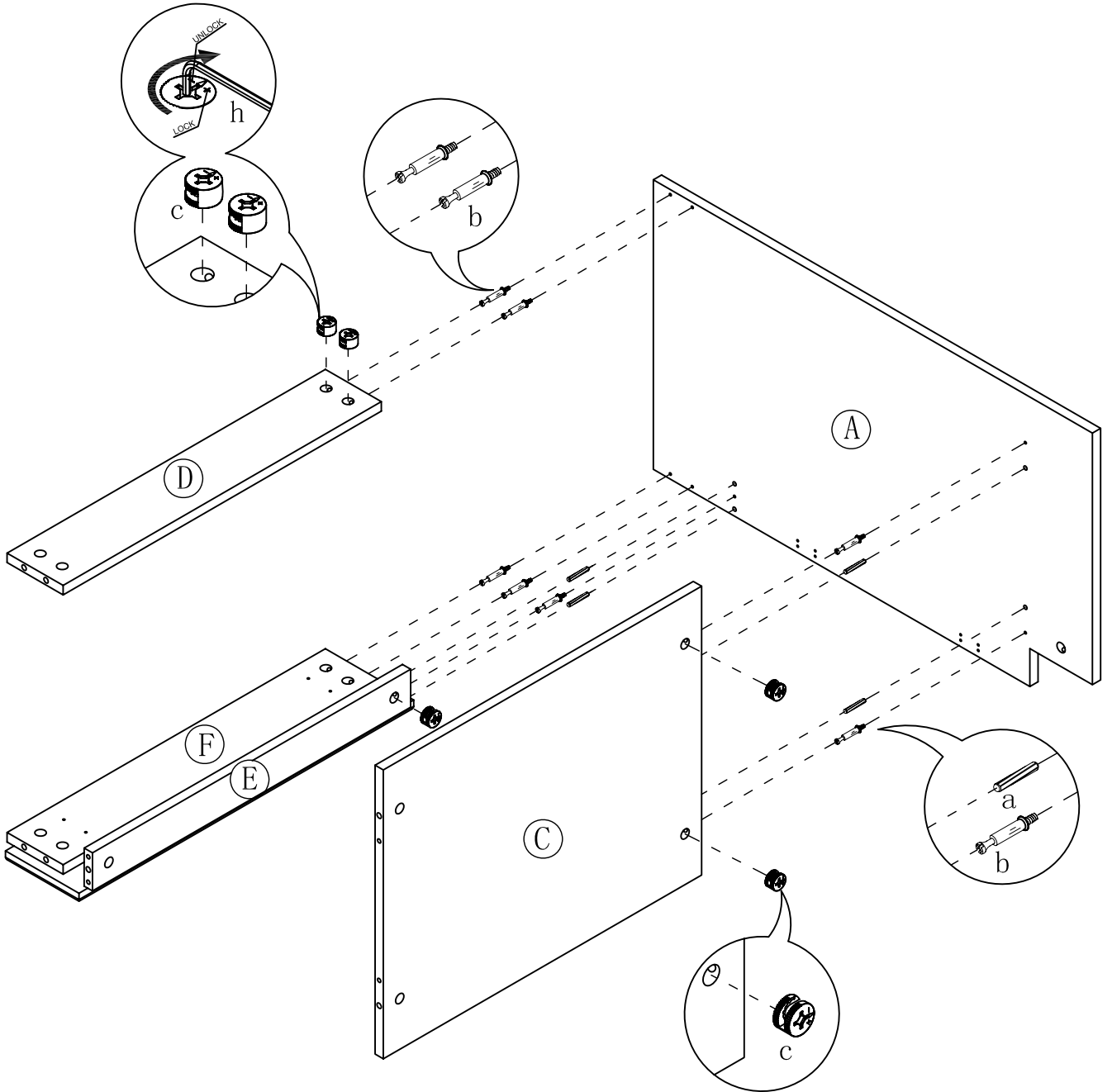


h. WRENCH 1PC

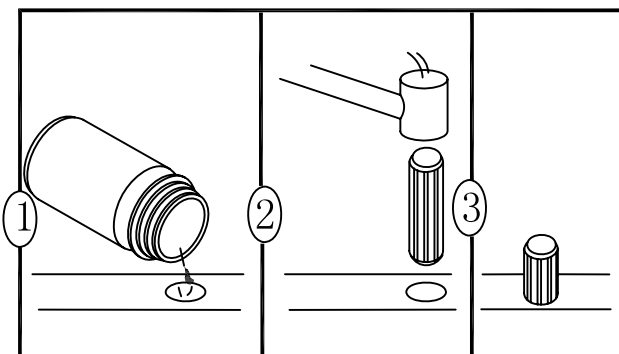
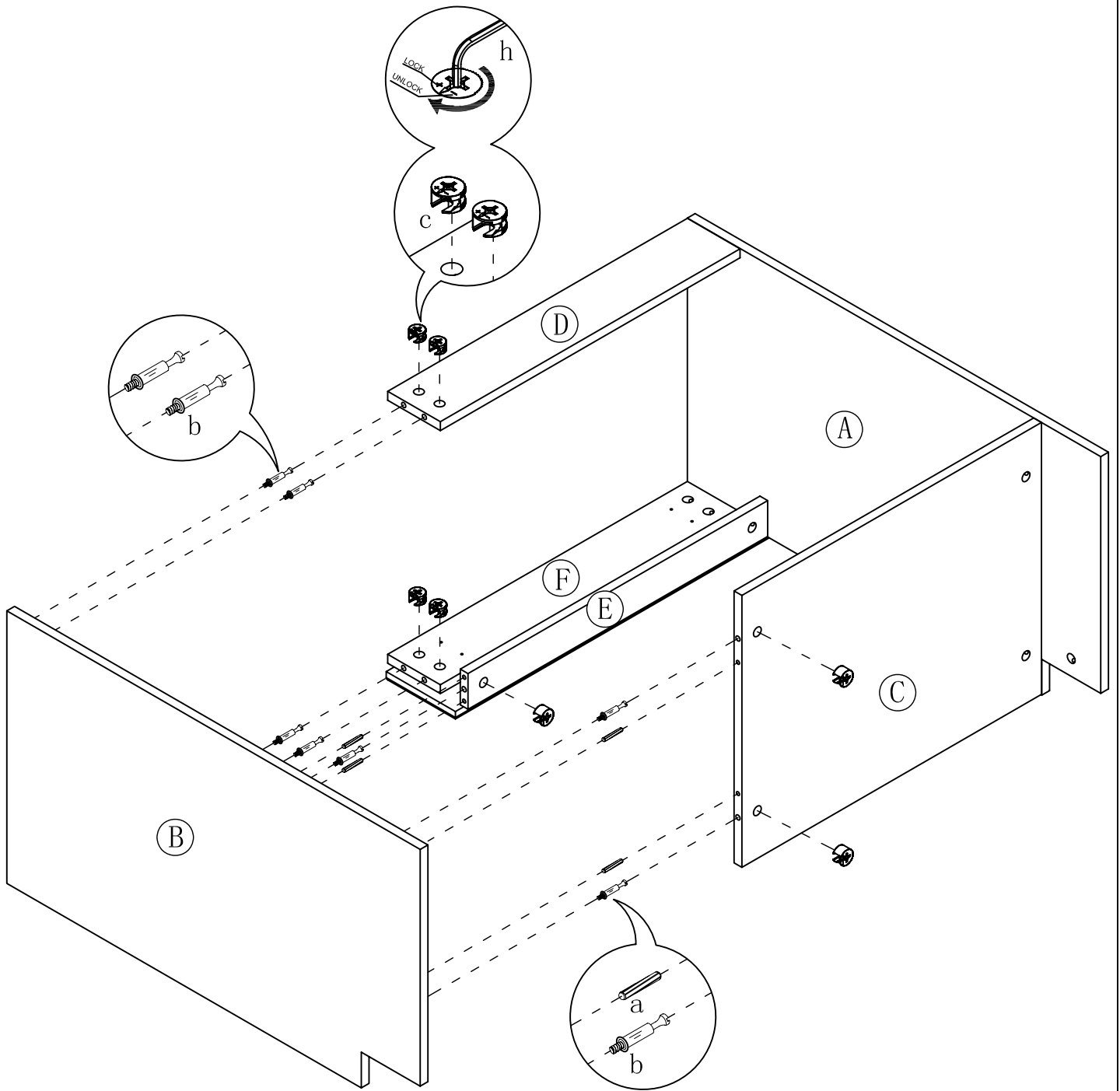


i. GLUE 1PC

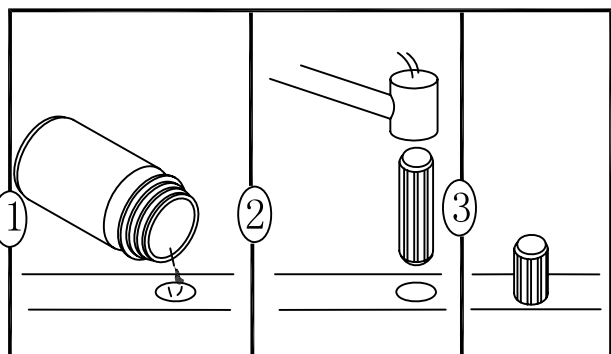
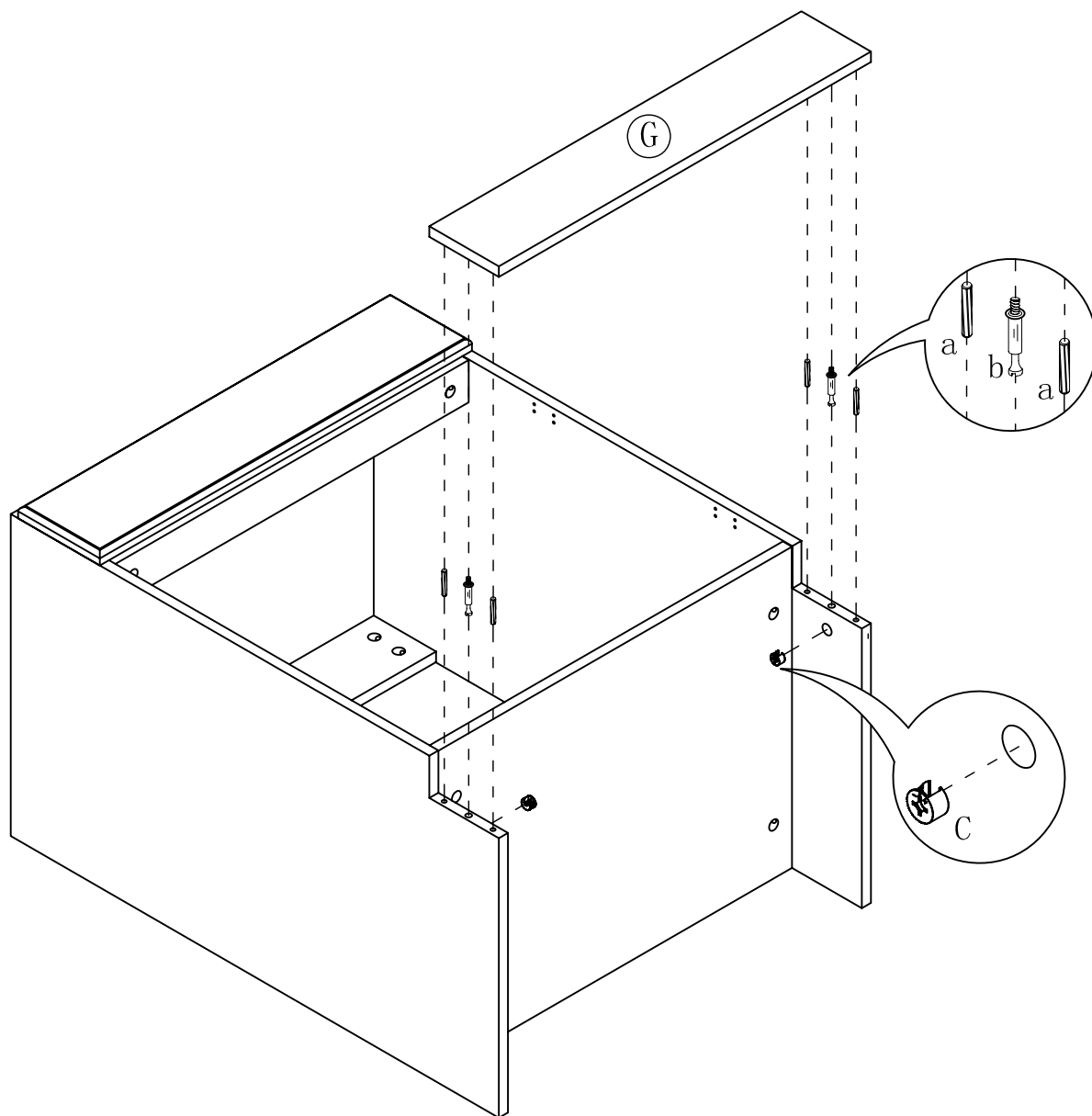
# STEP 1



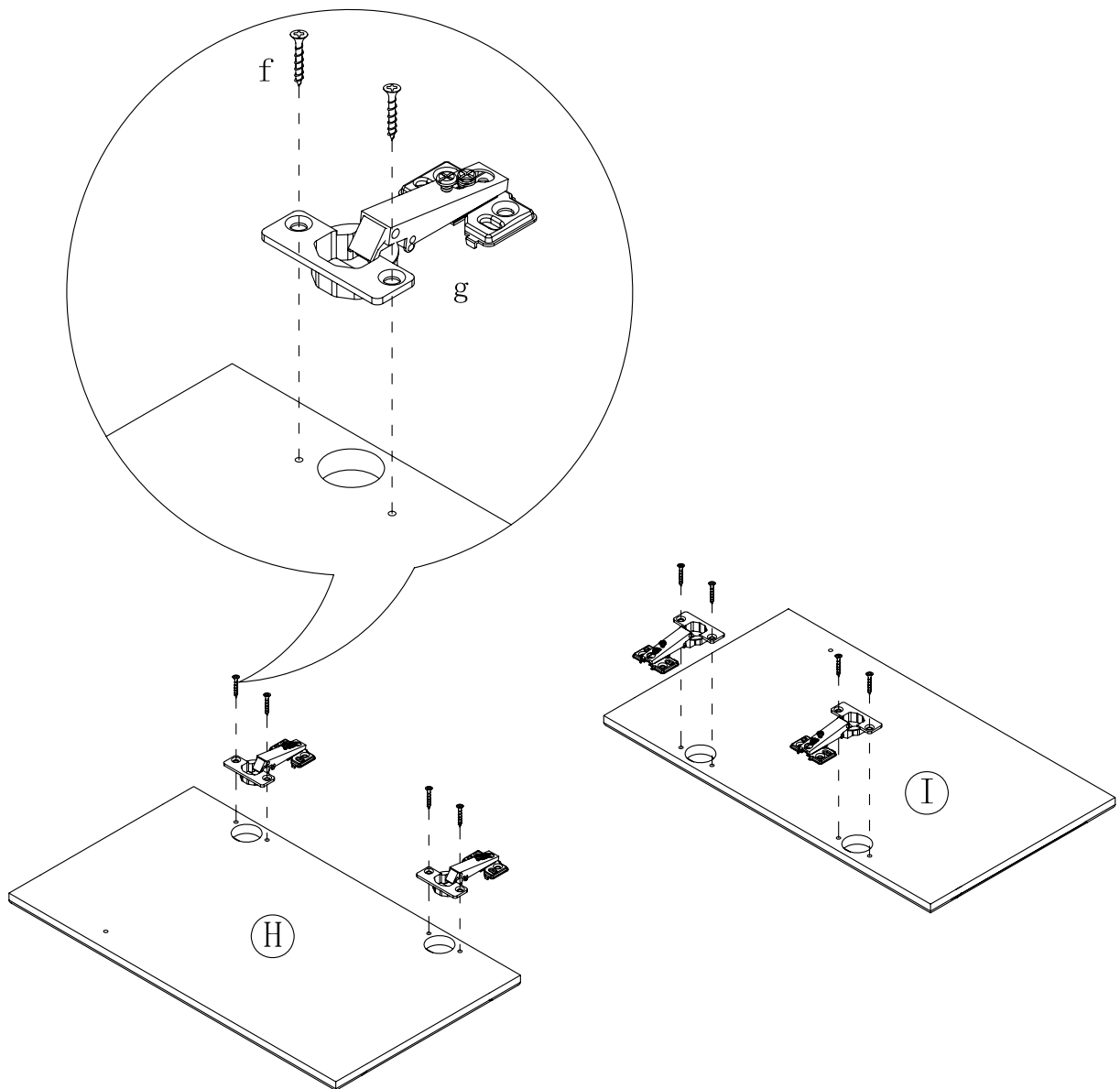
# STEP 2



# STEP 3



# STEP 4



STEP 5

