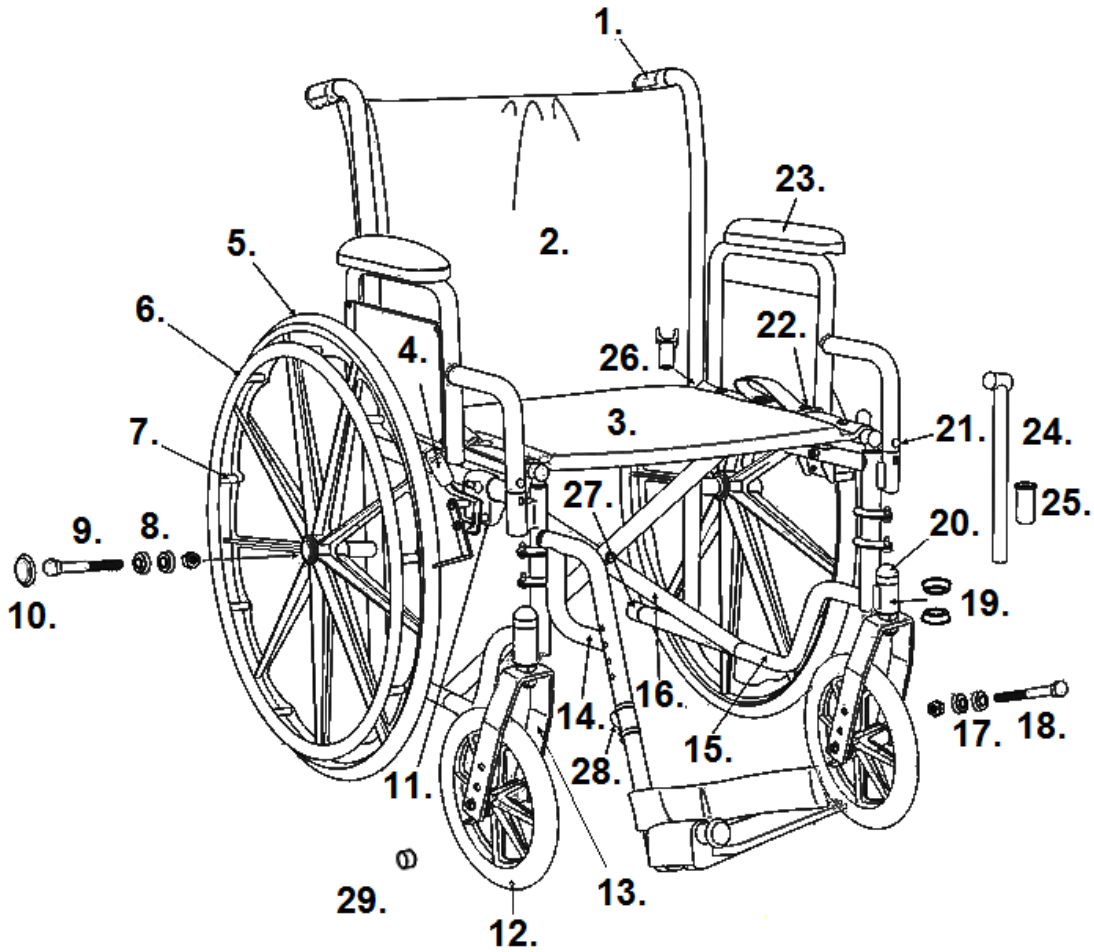


SILVER SPORT 2 (3J & Y SERIAL #)



- | | |
|--|---|
| <p>1. Handgrip- WB 8036</p> <p>2. Back Upholstery 16"- STDS3J4606
Back Upholstery 18"- STDS3J4608
Back Upholstery 20"- STDS3J4602</p> <p>3. Seat Upholstery 16"- STDS3J4616
Seat Upholstery 18"- STDS3J4618
Seat Upholstery 20"- STDS3J4620</p> <p>4. Wheel Lock Tip- STDS8M4603</p> <p>5. Rear Wheel- STDS3J2424</p> <p>6. Hand Rim- STDS3J2400</p> <p>7. Hand Rim Hardware (9 ea)- STDSS004609-9</p> <p>8. Rear Wheel Bearing (11mm)- STDS3J2413</p> <p>9. Rear Axle Detachable Arms- STDS3J4626
Rear Axle Fixed Arms- STDS3J4625</p> <p>10. Hub Cap- STDS3J2421</p> <p>11. Push to Lock Wheel Lock Left- STDS8M462L
Push to Lock Wheel Lock Right- STDS8M462R
Wheel Lock Fixed Arm Left- STDS8M241L
Wheel Lock Fixed Arm Right- STDS8M241R
Pull to Lock Wheel Lock Left- STDSSP2-DL
Pull to Lock Wheel Lock Right- STDSSP2-DR</p> <p>12. Caster- STDS3J2432</p> <p>13. Fork 3J Serial #- STDS3J2433
Fork Y Serial #- STDS4y4633</p> <p>14. Footrest- STDS3J24SF
Elevating Leg Rest- LK3JELR</p> | <p>15. Side Frame Detachable Arm Left- STDS3J46L1
Side Frame Detachable Arm Right- STDS3J46R1
Side Frame Fixed Arm Left- STDS3J46L2
Side Frame Fixed Arm Right- STDS3J46R2</p> <p>16. Cross Frame 16"- STDS3J46X6
Cross Frame 18"- STDS3J45X8
Cross Frame 20"- STDS3J46X2</p> <p>17. Caster Bearing (11mm)- STDS1011</p> <p>18. Caster Axle- STDS3J2431</p> <p>19. Fork Stem Bearing (12.5mm)- STDS8M4601
Fork Stem Flange Bearing- STDS3J2401</p> <p>20. Dust Cap- STDS8M4651</p> <p>21. Arm Release Button- STDS3J4503</p> <p>22. Upholstery Hardware Back/Seat (8 ea)- STDS2015</p> <p>23. Desk Arm Pad- STDSDSKVB
Full Arm Pad- STDSFLVB
Desk Arm Left- STDSSDDAL
Desk Arm Right- STDSSDDAR
Full Arm Left- STDSSDFAL
Full Arm Right- STDSSDFAR</p> <p>24. Slide Tube & Bushing- STDS3J4601</p> <p>25. Bushing- STDS002601</p> <p>26. Seat Rail Guide Detachable Arms- STDS1070
Seat Rail Guide Fixed Arms Front- STDS004602
Seat Rail Guide Rear- STDS1070</p> <p>27. Tipping Sleeve- STDS3J2422</p> <p>28. Footrest Adj. Lever- STDS3J4502</p> <p>29. Axle Cap- STDS001000</p> |
|--|---|