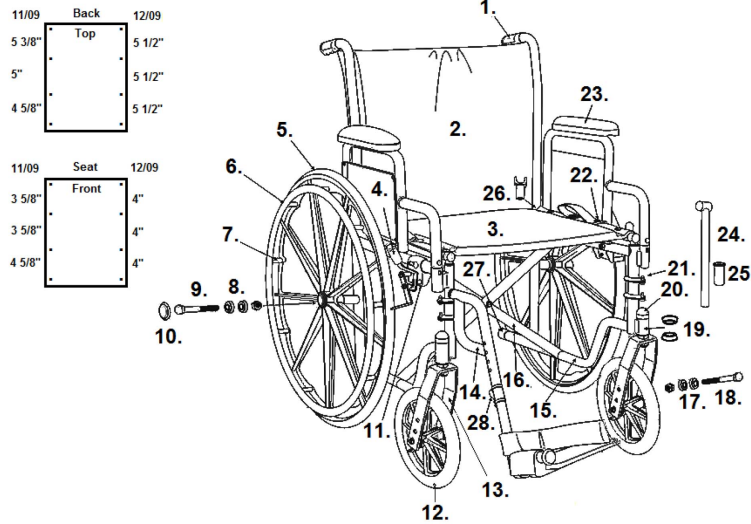


SILVER SPORT 2 (1I, 4S, 5Z & 8M SERIAL #)



1. Handgrip- WB 8036
2. Back Uphol. 11/09 & Before 16"- STDS8M4606
Back Uphol. 11/09 & Before 18"- STDS8M4608
Back Uphol. 11/09 & Before 20"- STDS8M4602
Back Uphol. 12/09 & After 16"- STDS3J4606
Back Uphol. 12/09 & After 18"- STDS3J4608
Back Uphol. 12/09 & After 20"- STDS3J4602
3. Seat Uphol. 11/09 & Before 16"- STDS8M4616
Seat Uphol. 11/09 & Before 18"- STDS8M4618
Seat Uphol. 11/09 & Before 20"- STDS8M4620
Seat Uphol. 12/09 & After 16"- STDS3J4616
Seat Uphol. 12/09 & After 18"- STDS3J4618
Seat Uphol. 12/09 & After 20"- STDS3J4620
4. Wheel Lock Tip- STDS8M4603
5. Rear Wheel- STDS3J2424
6. Hand Rim- STDS3J2400
7. Hand Rim Hardware (9 ea)- STDS004609-9
8. Rear Wheel Bearing (11mm)- STDS3J2413
9. Rear Axle Detachable Arms- STDS3J4626
Rear Axle Fixed Arms- STDS3J4625
10. Hub Cap- STDS3J2421
11. Push To Lock Wheel Lock
Fixed Arms Left- STDS8M241L
Fixed Arms Right- STDS8M241R
Removable Arms Left- STDS8M462L
Removable Arms Right- STDS8M462R
Pull To Lock Wheel Lock
Removable Arms Left- STDS3J462L
Removable Arms Right- STDS3J462R
12. Caster- STDS4S2432
13. Fork- STDS8M4633
14. Footrest- STDS3J245F
Elevating Leg Rest- LK3JELR
15. Side Frame 8M s/n Det. Arm Left- STDS8M46L1
Side Frame 8M s/n Det. Arm Rt.- STDS8M46R1
Side Frame 8M s/n Fixed Arm Left- STDS8M46L2
Side Frame 8M s/n Fixed Arm Rt.- STDS8M46R2
Side Frame 4S s/n Det. Arm Left- STDS3J46L1
Side Frame 4S s/n Det. Arm Rt.- STDS3J46R1
Side Frame 4S s/n Fixed Arm Left- STDS3J46L2
Side Frame 4S s/n Fixed Arm Rt.- STDS3J46R2
16. Cross Frame 11/09 & Before 16"- N.L.A.
Cross Frame 11/09 & Before 18"- N.L.A.
Cross Frame 11/09 & Before 20"- N.L.A.
Cross Frame 12/09 & After 16"- STDS3J46X6
Cross Frame 12/09 & After 18"- STDS3J45X8
Cross Frame 12/09 & After 20"- STDS3J46X2
17. Caster Bearing- STDS4S3602
18. Caster Axle- STDS8M4631
19. Fork Stem Bearing (12.5mm)- STDS8M4601
20. Dust Cap- STDS8M4651
21. Hanger pins 4S ser # (4 ea)- STDS4S1069
22. Uphol. Hardware Back/Seat (8 ea)- STDS2015
23. Desk Arm Pad- STDS3J4601
Full Arm Pad- STDS3J4602
Desk Arm Left- STDS3J4603
Desk Arm Right- STDS3J4604
Full Arm Left- STDS3J4605
Full Arm Right- STDS3J4606
24. Slide Tube & Bushing- STDS3J4601
25. Bushing- STDS002601
26. Seat Rail Guide Detachable Arms- STDS1070
Seat Rail Guide Fixed Arms Front- STDS004602
Seat Rail Guide Fixed Arms Rear- STDS1070
27. Tipping Sleeve- STDS3J2422
28. Footrest Adj. Lever- STDS3J4502