

Mixing Metering Handwash Faucet

TECK[®]
COMMERCIAL

DELTA[®]

SPECIFICATION: (EXAMPLE)

- 4" (102 mm) centerset with open grid strainer
- **HEAVY-DUTY CAST BRASS**
- Two handle mixing metering faucet
- Vandal resistant ADA handle actuator
- Vandal resistant non-aerating spray
- Polished chrome plated finish
- Delta[®] metering slow close cartridge
- **Total flow not to exceed 0.25 gallon per handle activation. See Note 1.**



- 86T1053** 0.5 gpm (1.9 L/min)
- 86T1093** 0.35 gpm (1.32 L/min)

86T1053



SPECIFICATION: (EXAMPLE)

- 4" (102 mm) centerset less pop-up
- **HEAVY-DUTY CAST BRASS**
- Two handle mixing metering faucet
- Vandal resistant ADA handle actuator
- Vandal resistant non-aerating spray
- Polished chrome plated finish
- Delta[®] metering slow close cartridge
- **Total flow not to exceed 0.25 gallon per handle activation. See Note 1.**



- 86T1153** 0.5 gpm (1.9 L/min)

86T1153



Engineer/Architect Approval

Model Specified:

Approval:

Date:

NOTE 1: Data based on 73 °F water temperature and 50 psi flowing pressure.

0.5 gpm (1.9 L/min) faucet can be set to a maximum close time of about 27 seconds with an output volume = 0.21 gallons.


0.35 gpm (1.32 L/min) faucet can be set to a maximum close time of about 30 seconds with an output volume = 0.14 gallons.

Mixing Metering Handwash Faucet

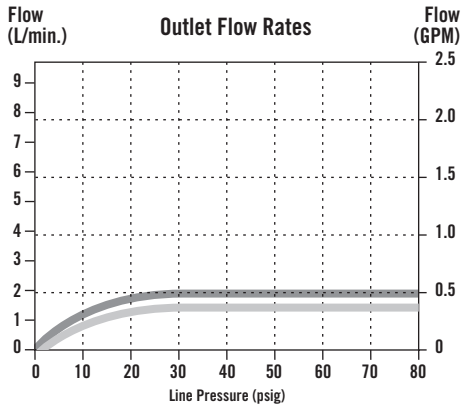
TECK[®]
COMMERCIAL

DELTA

APPROVALS:

- CSA certified
 - Complies to ASME A112.18.1/CSA B125.1
 -  Indicates compliance to ICC/ANSI A117.1
 - Veried compliant with 0.25% weighted average Pb content regulations.
- (Contact Delta Representative for State and/or Local Approvals.)

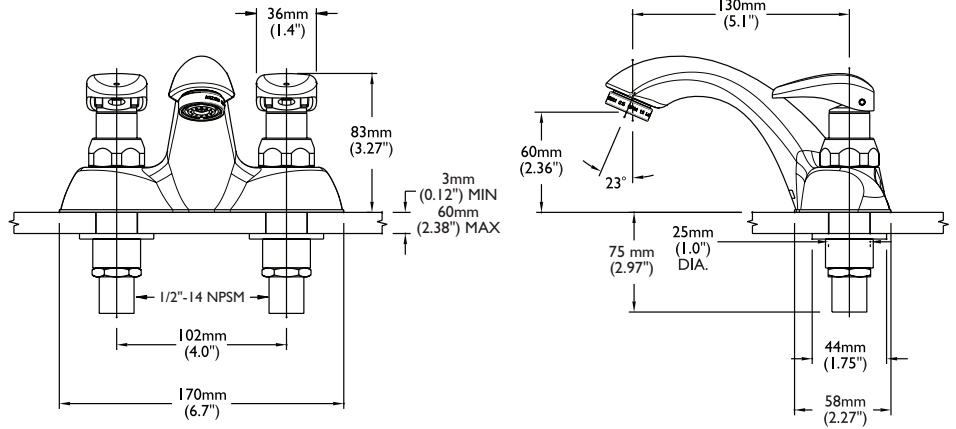
FLOW RATE vs PRESSURE



Spout Outlets

 No. 5 Outlet	 No. 9 Outlet
0.5 gpm (1.9 L/min)	0.35 gpm (1.32 L/min)

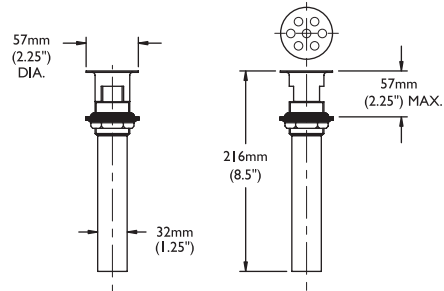
86T1153



INLET FOR 3/8" OR 1/2" FLEXIBLE RISER
OR 1/2-14 NPSM COUPLING NUT (NOT SUPPLIED)

OPEN GRID STRAINER

(supplied with Product Variation 0)



Note: Measurements may vary \pm 6mm (0.25")

Refer to www.specselect.com for individual models.

Note: Use this page front and back as a product submittal sheet.