



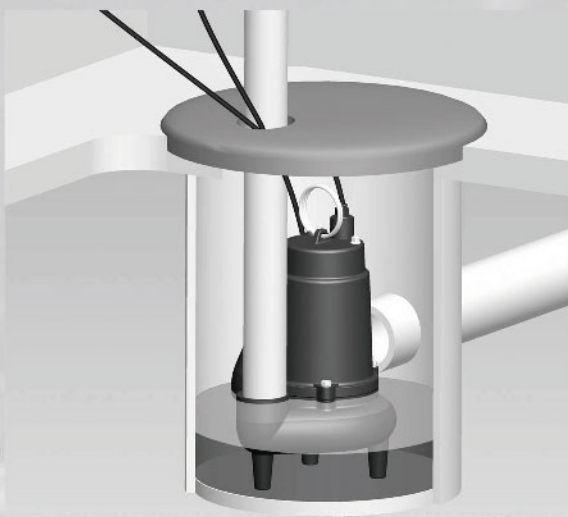
Model SW07501T
SKU# 402451

Cast Iron

Sewage Pumps



- Rugged casting iron construction maximizes pump life
- Non-clogging vortex impeller design handling 2" solids
- High efficiency permanent split capacitor motor with automatic reset thermal overload protection
- Ball bearings for quiet operation.
- Oil filled, graphite and ceramic mechanical sealed motor for long life
- Piggy-back tethered float switch for automatic or manual operation
- 2" NPT discharge with 10ft power cord for easy installation



PERFORMANCE

Model	HP	Discharge Head	0'	5'	10'	15'	20'	Max. lift
SW07501T	3/4	Gallons/Hour	8700	7500	6000	3900	0	20'