

Part #: 338271 (USN #: 328488576)

Product Specs:

- High efficiency toilet
- 4.8 Lpf / 1.28 Gpf
- Round bowl
- Vitreous china
- Extra large footprint bowl design
- 17" Bowl height
- Chrome tank lever actuator
- 10" Rough-in
- 2" Fully glazed ball pass trapway
- 3" Flapper
- Pre-installed tank bolts for a quick connection
- Siphon jet flush action
- Water surface: (220mm x 150mm) 8-5/8" x 5-7/8"
- 100% Factory flush tested
- Fluidmaster flush kit (fill and flush valve)
- Includes slow close plastic toilet seat, floor bolts and wax ring
- Available color: white



Important: Dimensions of fixtures are nominal and may vary within the range of tolerances established by ASME standard A112.19.2. These measurements are subject to change or cancellation. No responsibility is assumed for use of superseded or voided pages.

Overall Dimensions:

455mm (W) x 655mm (D) x 820mm (H)
 17-7/8" (W) x 25-3/4" (D) x 32-1/4" (H)

Compliance Certifications:

- Meets or exceeds the following specs:
- IAPMO cUPC Green
 - ASME A112.19.2 / CSA B45.1
 - US EPA WaterSense
 - ADA Guidelines & ANSI A117.1
 - MaP tested 1000g
 - Calgreen and LEED compliant

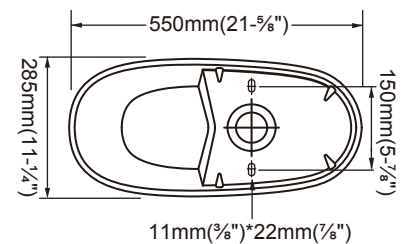
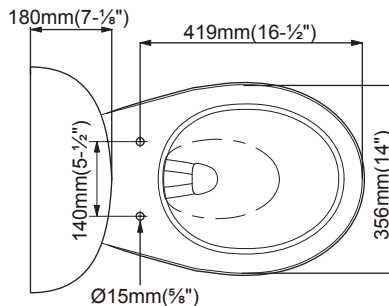
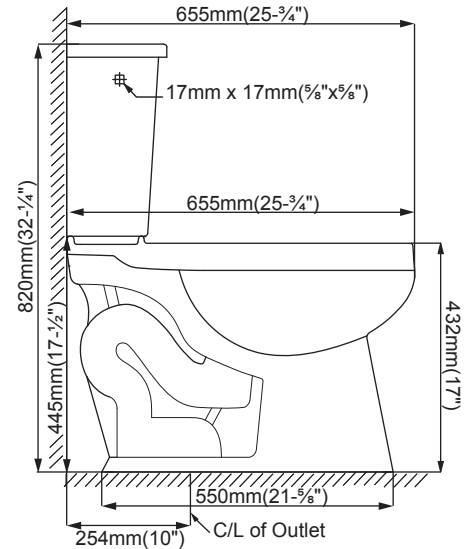
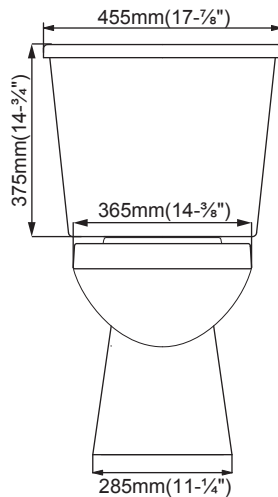
Repair Parts:



611109
Tank Lid



611102
Lever



Extra Large Footprint