

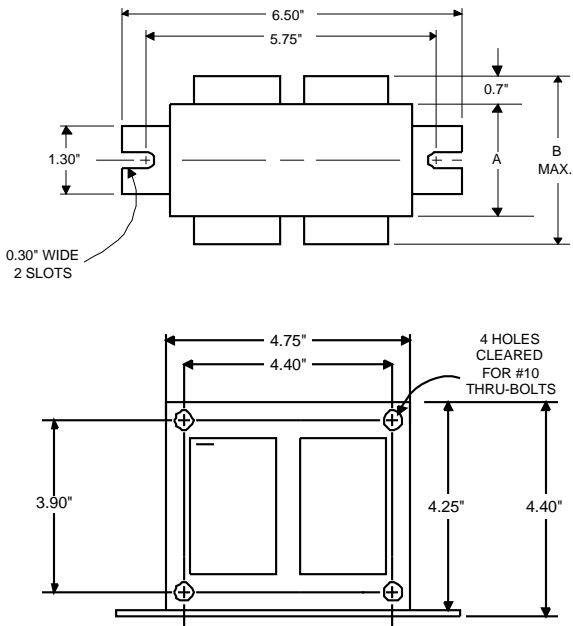
**PHILIPS  
ADVANCE**

**Metal  
Halide  
Lamp Ballast**

**Catalog Number 71A5770  
For 250W M58  
60 Hz CWA  
Status: Active**

**DIMENSIONS AND DATA**

4 1/4 X 4 3/4 CORE - 2 COIL UNIT



		120	208	240	277
<b>INPUT VOLTS</b>					
CIRCUIT TYPE	CWA				
POWER FACTOR (min)	90%				
<b>REGULATION</b>					
Line Volts	±10%				
Lamp Watts	±10%				
<b>LINE CURRENT (Amps)</b>					
Operating.....		2.50	1.45	1.25	1.10
Open Circuit.....		1.70	1.00	0.85	0.75
Starting.....		2.20	1.30	1.10	1.00
<b>UL TEMPERATURE RATINGS</b>					
Insulation Class	H(180°C)				
Coil Temperature Code	1029				
MIN. AMBIENT STARTING TEMP.	-20°F or -30°C	B	B	B	B
NOM. OPEN CIRCUIT VOLTAGE	300				
INPUT VOLTAGE AT LAMP DROPOUT.....		60	104	120	138
INPUT WATTS	298				
RECOMMENDED FUSE (Amps).....		8	5	5	3
<b>CORE and COIL</b>					
Dimension (A)	1.60				
Dimension (B)	3.15				
Weight (lbs.)	8				
Lead Lengths	TERM"				
<b>CAPACITOR REQUIREMENT</b>					
Microfarads	15.0				
Volts (min.)	400				
Fault Current Withstand (amps)					
<b>60 Hz TEST PROCEDURES (Refer to Philips Lighting Electronics N.A. TEST Procedure for HID Ballasts - Form High Potential Test (Volts)</b>					
1 minute	2000				
2 seconds	2500				
Open Circuit Voltage Test (Volts)	270-330				
Short-Circuit Current Test (Amps)	2.25-2.75				
Secondary Current					
Input Current.....		1.90	1.10	0.95	0.80
		2.70	1.70	1.35	1.20

Capacitor: 7C150P40-R



Capacitance: 15  
Dia/Oval Dim: 1.75  
Height: 3.75  
Temp Rating: 105°C

Ignitor: NA

This ballast does not require the use of an ignitor.



**Wiring Diagram:**

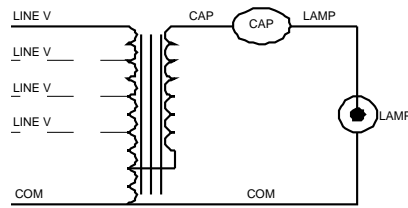


Fig. A

**Typical Ordering Information**

(please call Philips Lighting Electronics N.A. for suffix availability)

Order Suffix	Description
510D	Ballast w/Welded Bracket & Dry Film Capacitor
600	Ballast Only, No Capacitor
610	Ballast with Welded Bracket, No Capacitor

Data is based upon tests performed by Philips Lighting Electronics N.A. in a controlled environment and is representative of relative performance. Actual performance can vary depending on operating conditions. Specifications are subject to change without notice.

**PHILIPS LIGHTING ELECTRONICS N.A.**

10275 WEST HIGGINS ROAD · ROSEMONT, IL 60018

Tel: 800-322-2086 · Fax: 888-423-1882 · www.philips.com/advance

Customer Support/Technical Service: 800-372-3331 · OEM Support: 866-915-5886

Revised: 10/19/04