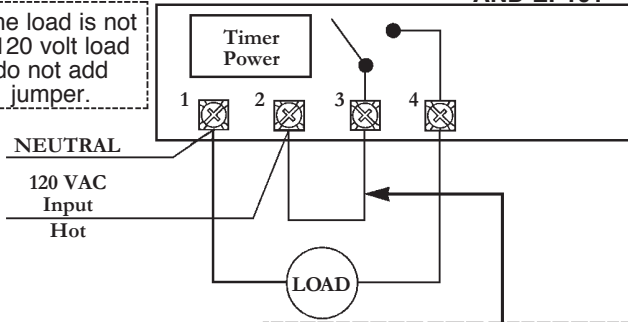


IMPORTANT!

MODELS EH10,
AND EP101

If the load is not
a 120 volt load
do not add
jumper.



NEUTRAL

120 VAC

Input

Hot

LOAD

Use solid wire with solid wire and
stranded wire with stranded wire.
(Jumper included)

158ET9712

