

COOPER LIGHTING - METALUX® AP SERIES

DESCRIPTION

SLSTP is our newest LED lensed striplight series. This new low profile, high quality luminaire offering the latest solid state lighting and electronic driver technology for optimal performance and energy efficiency. It's low profile design provides an ideal solution for size restricted applications.

The SLSTP is suitable for commercial, industrial, retail and residential applications. This fixture series can be used in storage/utility areas, coves, display cases, shops, task and general area lighting applications.

SPECIFICATION FEATURES

Construction

Fixture channel, cover and end plates are formed from cold rolled steel and offer a clean aesthetic while offering all of the features that customers need for installation. This product series is suitable for either single or continuous row applications.

Controls

Equipped standard with a 0-10V continuous dimming driver that works with any standard 0-10V control/dimmer. Dimming range is 10% to 100%; varies by control device. Combine with energy saving products like occupancy sensors, day lighting controls, and lighting relay panels from Cooper Controls (www.coopercontrol.com) to maximize energy savings. For motion control, reference options for both end and middle of the row applications.

Electrical

Long-Life LED system coupled with electronic (120-277V) driver to deliver optimal lighting performance. LED's available 4000k with a CRI ≥ 80. Projected life is 50,000 hours at 70% lumen output. This driver is 0-10V dimming standard.

Finish

Post painted with high reflective paint – standard.

Shielding

SLSTP offers a frost lens. Additionally, special end caps are provided for single and end of the row applications.

Catalog #

Project

Comments

Prepared by

Type

Date

Installation

Fixture may be surface, pendant, or stem mounted. See accessories below in ordering information.

Compliance

Components are UL/CUL recognized. Product is damp location listed. Indoor luminaires are CSA listed for 40°C ambient environments, RoHS compliant, and comply with IESNA LM-79. LEDs comply with LM-80 standards.

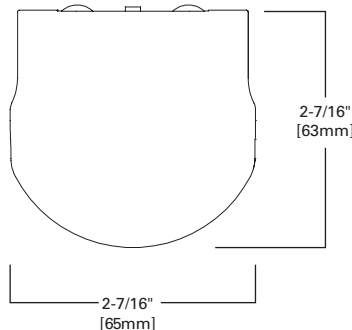
Warranty

Five-year warranty.

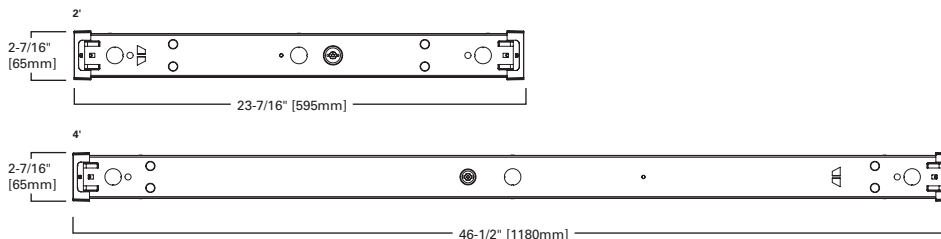


SLSTP LENSED LED

Lensed LED Striplight



MOUNTING DATA



Catalog Number	Product Description	UPC	Package
2SLSTP1040DD-120V	2 ft. Mini LED Striplight, 1000 lum 120V	080083705771	Unit
2SLSTP2040DD-120V	2 ft. Mini LED Striplight, 2000 lum, 120V	080083705788	Unit
4SLSTP2040DD-120V	4 ft. Mini LED Striplight, 2000 lum, 120V	080083705795	Unit
4SLSTP4040DD-120V	4 ft. Mini LED Striplight, 4000 lum, 120V	080083705801	Unit
4SLSTP2040DD-UNV	4 ft. Mini LED Striplight, 2000 lum, UNV	080083705818	Unit
4SLSTP4040DD-UNV	4 ft. Mini LED Striplight, 4000 lum, UNV	080083705825	Unit

LINEAR DISCONNECT

Safe and convenient means of disconnecting power



Cooper Lighting

by **F.T.N**

ADF142826
11-12-2014