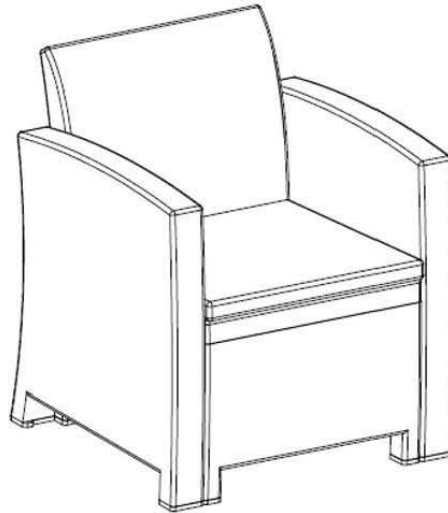



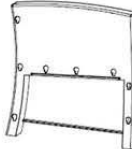
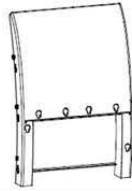
Assembly Instructions


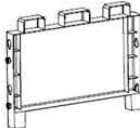
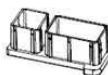
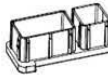
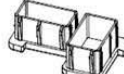
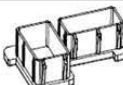

Caution : You must read this before you proceed

Club Chair



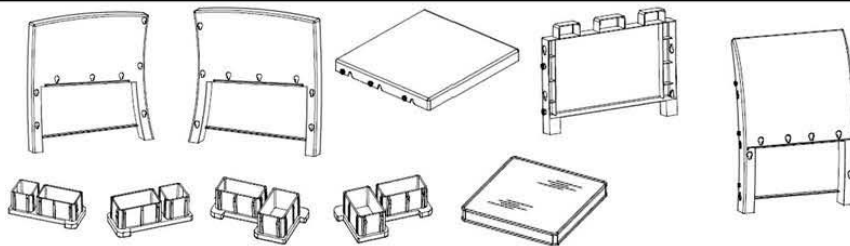
Parts List






Label	Picture	Description	QTY
A		Left Armrest (with Legs)	1
B		Right Armrest (with Legs)	1
C		Backrest (with Legs)	1

D		Seat Panel	1
E		Front Panel (with Legs)	1
F		Left Front Foot Clip	1
G		Right Front Foot Clip	1
H		Left Back Foot Clip	1
I		Right Back Foot Clip	1
M		Seat Cushion	1

Assembly Preparation

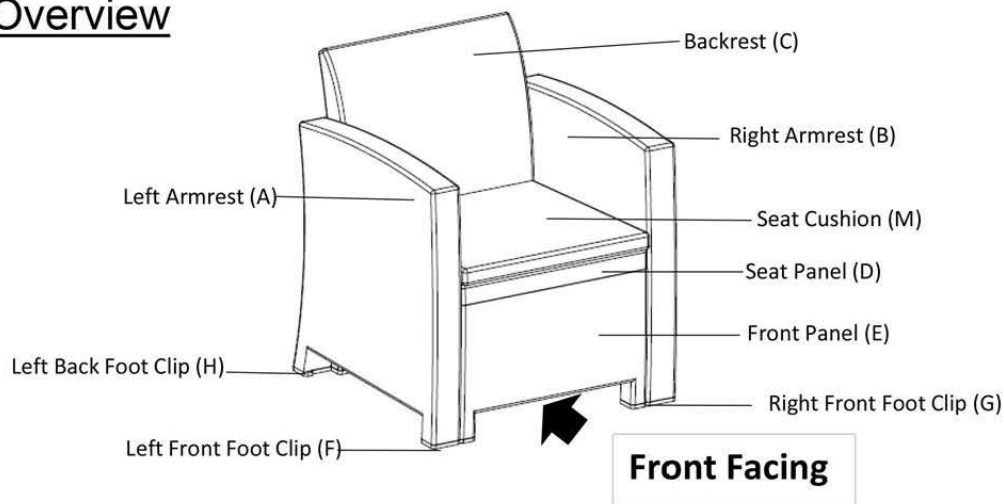
Before
Beginning
Assembly:



-  • Read instructions, cover to cover-
-  • Have 2 adults on hand for assembly-
-  • Do not assemble on flooring or carpet-
-  • Assemble on a clean non-marring surface (packing foam)-
-  • Save all packaging until finished-

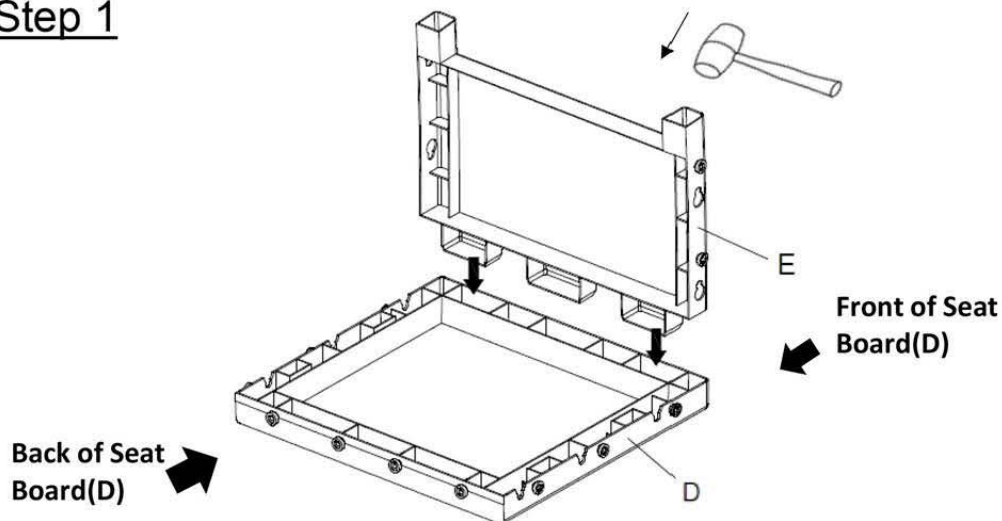
Assembly Steps

Overview



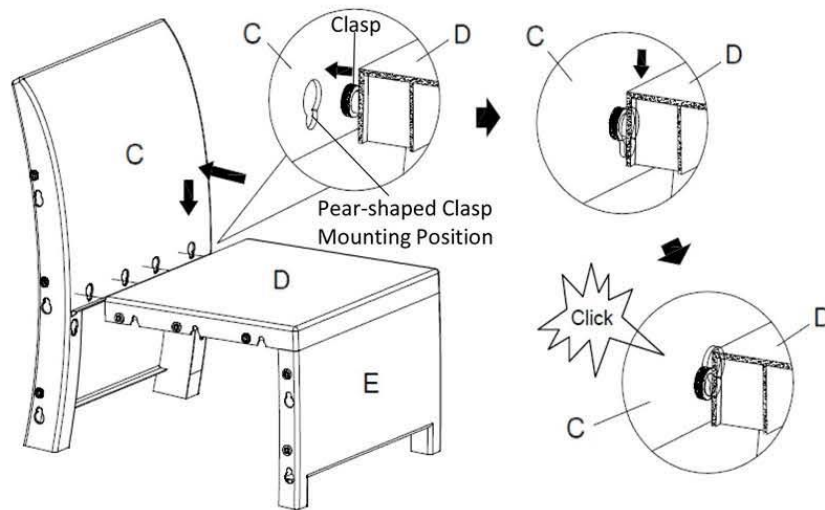
This Club Chair has multiple parts and may require up to 30 minutes to assemble. To give you an overview of the Club Chair parts, the above picture is to help you put the various parts into perspective. Please read through the instructions below to familiarise yourself with the parts and steps before assembly.

Step 1



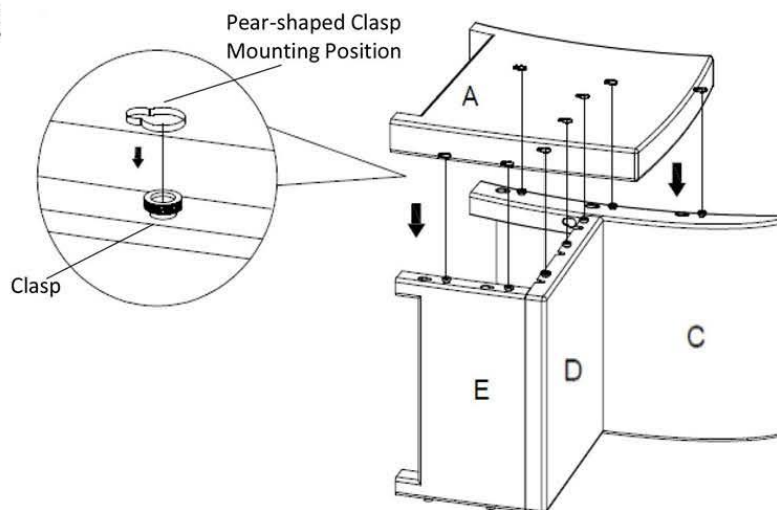
Open the carton and place all parts on a clean, non-marring surface.
Place the Seat Panel(D) facedown on the clean, non-marring surface.
Insert Front Panel(E) into Seat Panel(D) using the interlocking joints and secure with Rubber Hammer(Q).

Step 2



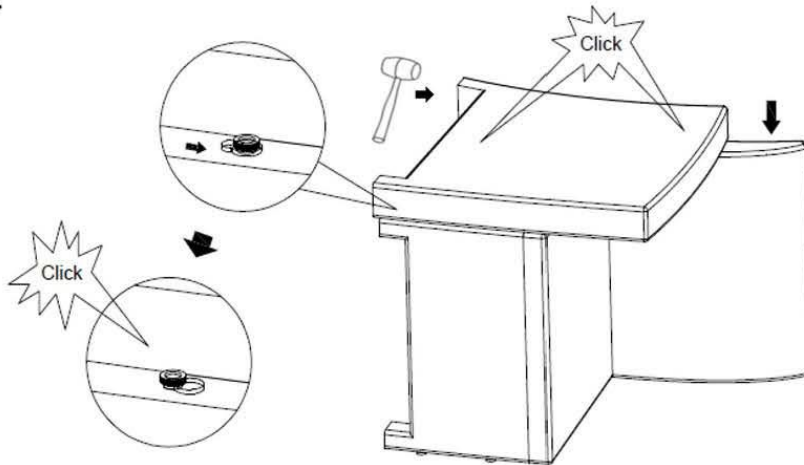
Place the Backrest(C) upright and align Seat Panel(D) as shown above. There are four Pear-shaped Clasp mounting positions on the Backrest(C), and four Clasps on the Seat Panel(D). Insert the four Clasps into four mounting positions and push down to button up the Clasps with the Rubber Hammer(Q).

Step 3



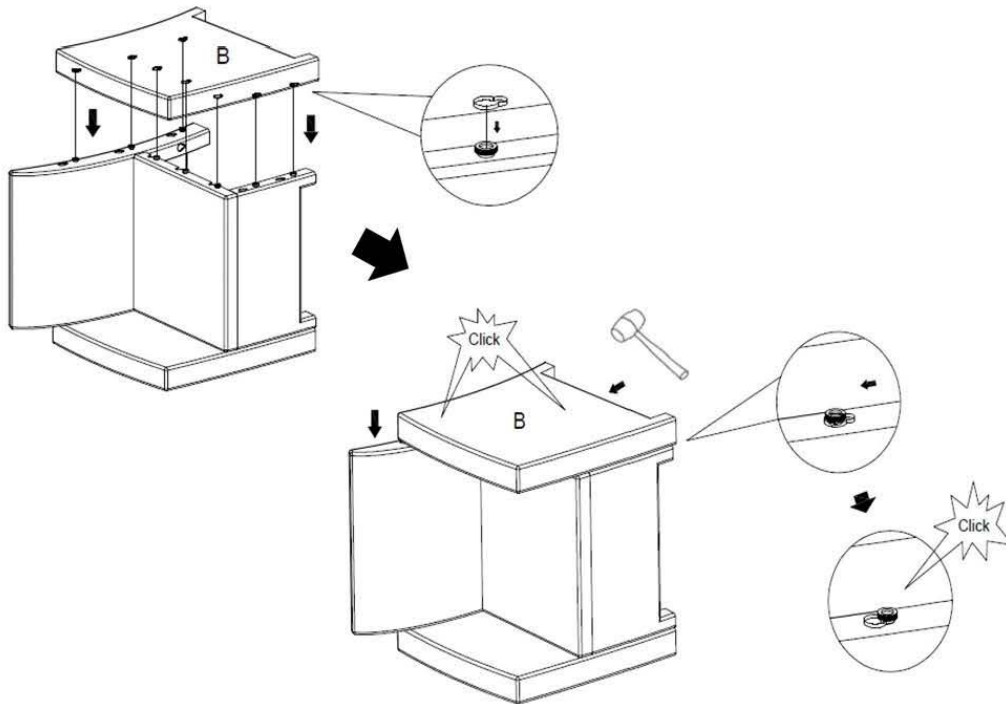
Turn the assembly onto it's side as shown. Insert the Clasps on the Left Armrest(A) into the Pear-shaped Clasp mounting positions on the Front Panel(E), Seat Panel(D), and Backrest(C). Insert the 8 Clasps of Front Panel(E), Seat Panel(D), and Backrest(C) into Pear-Shaped Clasp mounting positions of Left Armrest(A).

Step 4



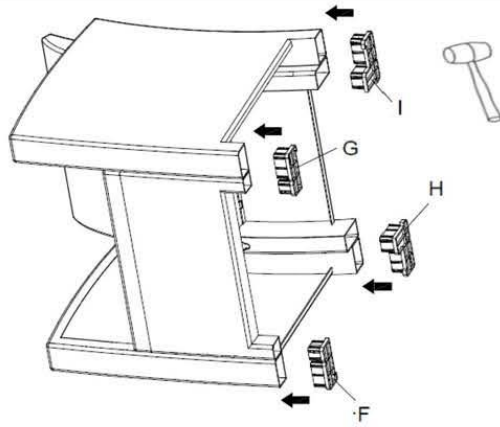
Button up the Clasps with the Rubber Hammer(Q) from left to right as shown above.

Step 5



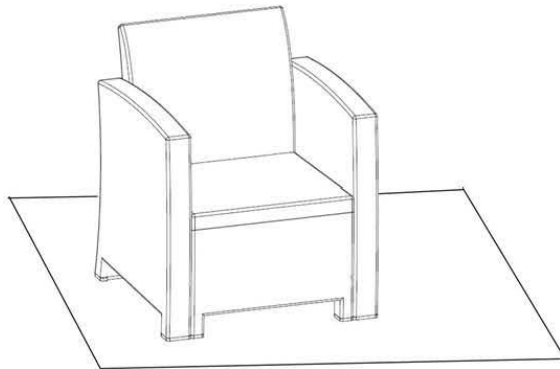
With the help of an adult partner, turn the assembly over as shown above.
Repeat the same process from **Steps 3 - 4** with the Right Armrest(B).

Step 6



Attach the Left Front Foot Clip(F), Right Front Foot Clip(G), Left Back Foot Clip(H), Right Back Foot Clip(I) to the feet of the Club Chair using the Rubber Hammer(Q) as shown above.

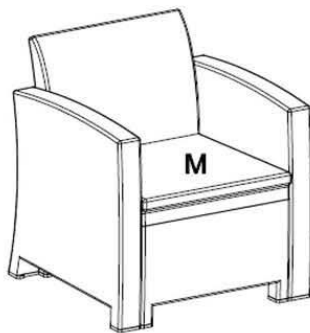
Step 7



With the help of your adult partner, stand the Club Chair up on a Level surface, to check for wobbles.

If there are wobbles, use the Rubber Hammer(Q) to ensure all parts are properly secured.

Step 8























Place the Cushion(M) on the seat.

Your Club Chair is ready for use.

This Club Chair can only be used on a flat, level surface.

Care & Maintenance

-   ● Do not put hot items directly on furniture surface
 -   ● Do not clean furniture with harsh cleansers or polish.
 -   ● To obtain the longest lifespan of your outdoor products, minimizing exposure to direct sunlight is recommended.
 -   ● Children should not climb or jump on the furniture.
 -   ● Do not write on furniture without a padded barrier to protect the surface.
 -   ● To obtain the longest lifespan of your outdoor products, avoid extended and lengthy exposure to rain, snow, and direct sunshine. Whenever possible cover the product and /or place under patio or awnings.
 -   ● Not for commercial use. For residential use only .
 -   ● Stains may be removed with mild soap solution and damp cloth.
 -   ● Keep away from sources of ignition.
-
-   ● Dust and pick-up spills using a clean, non-colored, lint-free cloth .

What is Proposition 65?

Proposition 65 is a California law that requires warning labels on products that may contain one of more than 800-plus chemicals or ingredients that the California Office of Environmental Health Hazard Assessment (OEHHA) has deemed to cause cancer or other reproductive toxicity. Chemicals and elements on this list include wood dust, brass, and other everyday substances, which can be found in very common household items, such as: lamps, tableware, jewelry, crystal glasses, electric cords, beauty products, automobiles, and furniture.

Why Did I Find a Proposition 65 Warning on My Home Goods Product?

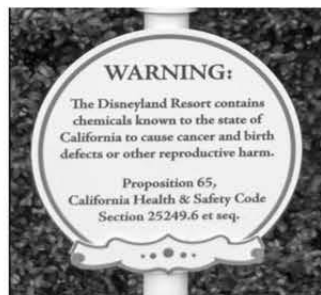
We include Proposition 65 warnings on all of our products because there is always a chance that one of the 800-plus common chemicals and ingredients listed under this law could potentially be on our furniture or packing materials. We risk large fines under this law, if we don't include this warning.

Should I worry?

We realize you may be worried finding this warning on our products, but we want to reassure you that the hazardous exposure limits for any of these chemicals have never been found on furniture products that we've shipped to our customers. Additionally, this warning label is very common and can be found on almost every piece of furniture sold in the state of California.

Just How Common Are Proposition 65 Warnings?

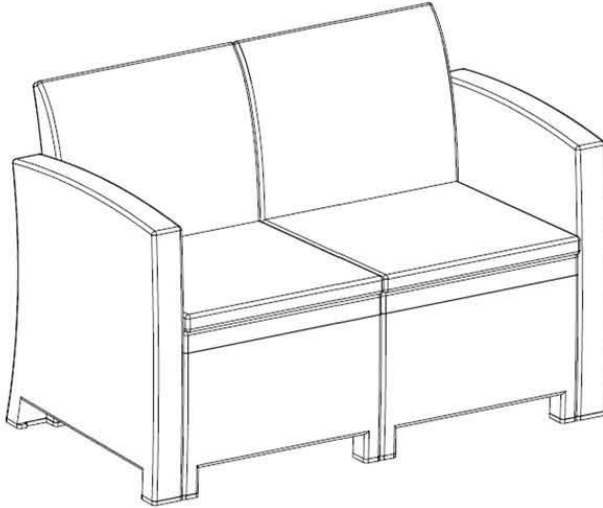
Proposition 65 warnings have become so common in California that it is hard to take a trip to a local bank, grocery store, or restaurant without finding at least one warning. In fact, even the Disney Land Resort has a Proposition 65 warning:





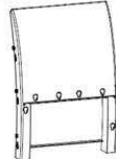

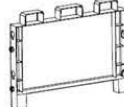
Assembly Instructions

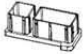







Caution: You must read this before you proceed

Loveseat

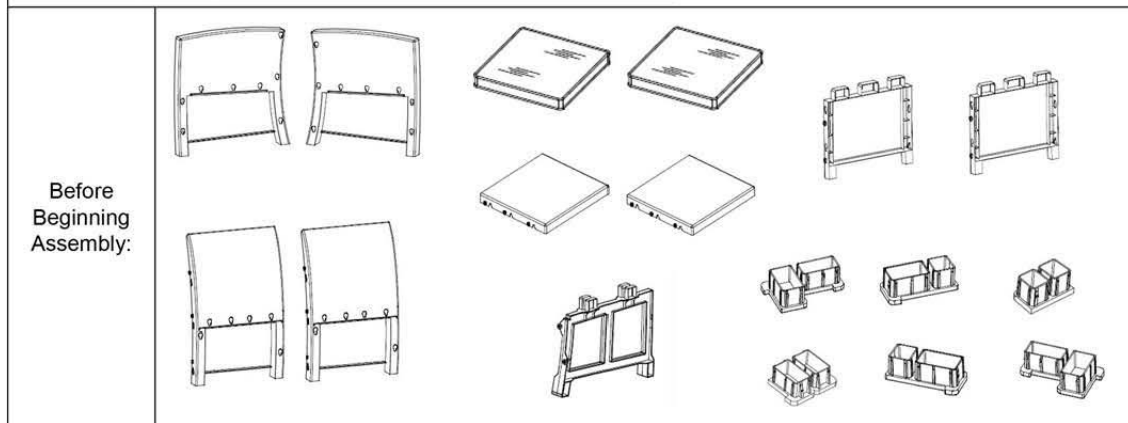


Parts List

Label	Picture	Description	QTY
A		Left Armrest (with Legs)	1
B		Right Armrest (with Legs)	1
C		Backrest (with Legs)	2
D		Seat Panel	2
E		Front Panel (with Legs)	2

F		Left Front Foot Clip	1
G		Right Front Foot Clip	1
H		Left Back Foot Clip	1
I		Right Back Foot Clip	1
J		Front Middle Foot Clip	1
K		Back Middle Foot Clip	1
L		Inner Panel (with Legs)	1
M		Seat Cushion	2

Assembly Preparation



- Read instructions, cover to cover-



- Have 2 adults on hand for assembly-



- Do not assemble on flooring or carpet-



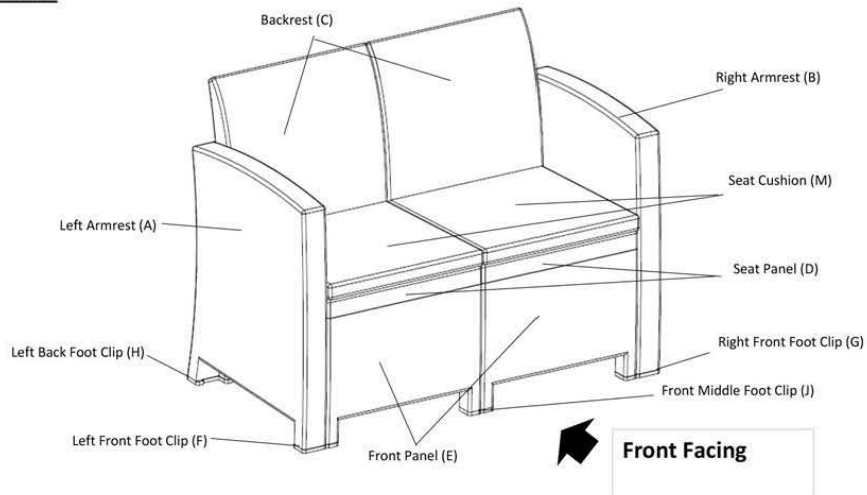
- Assemble on a clean non-marring surface (packing foam)-



- Save all packaging until finished-

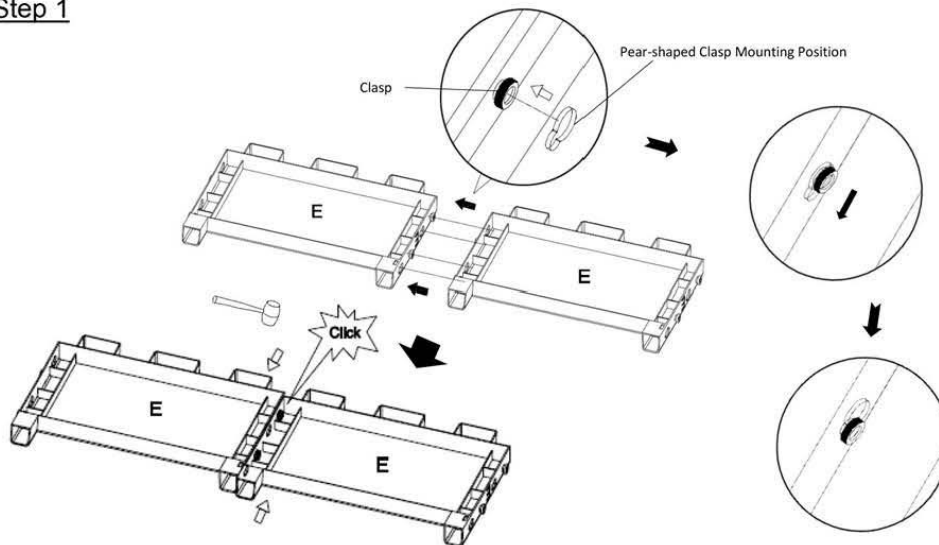
Assembly Steps

Overview



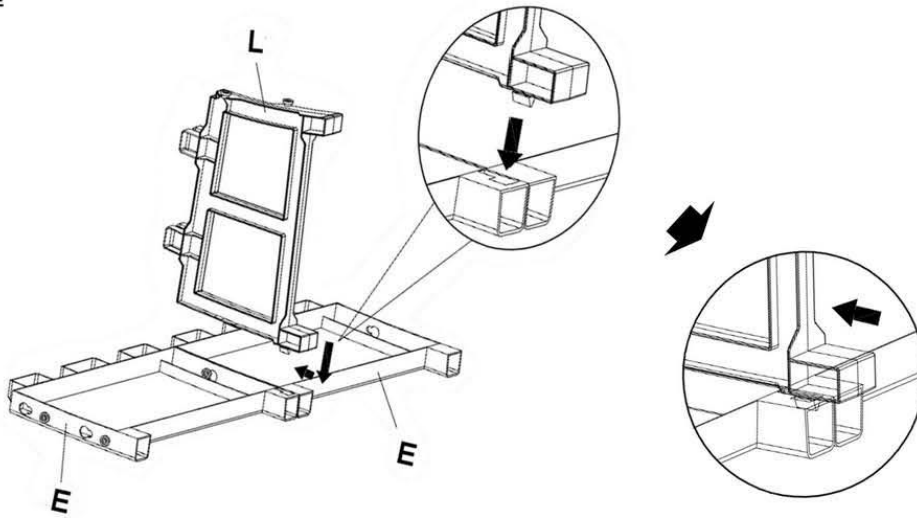
This Loveseat has multiple parts and may require up to 60 minutes to assemble. To give you an overview of the Loveseat parts, the above picture is to help you put the various parts into perspective. Please read through the instructions below to familiarise yourself with the parts and steps before assembly.

Step 1



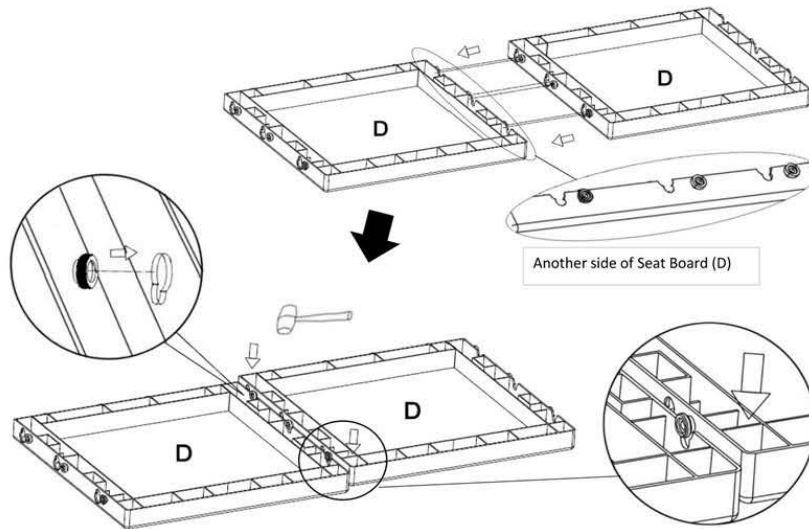
Open the carton and place all parts on a clean, non-marring surface.
Place the two Front Panels(E) facedown on the clean, non-marring surface.
Insert the Clasps of the Front Panel(E) into the large part of Pear-shaped Clasp mounting positions of the other Front Panel(E) as shown above.
Button up the Clasps with the Rubber Hammer(Q) as pictured.

Step 2



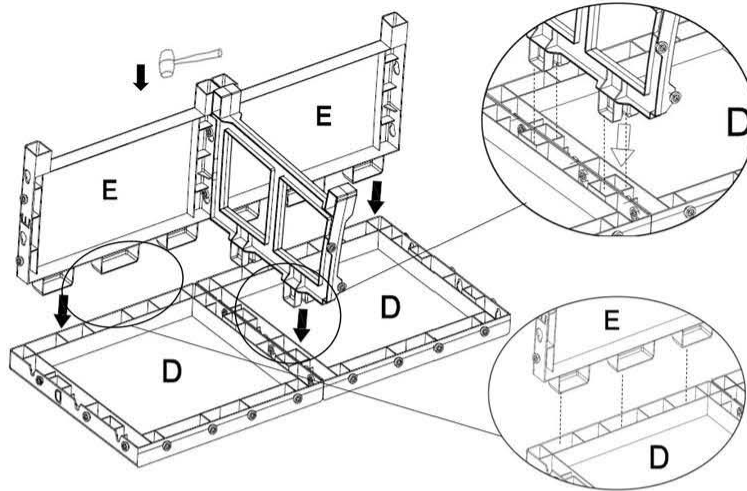
Align Inner Panel(L) to Middle Panel(E) as pictured above.
Insert the Dowel of the Inner Panel into the mounting position of the Middle Panel until it clicks into place.

Step 3



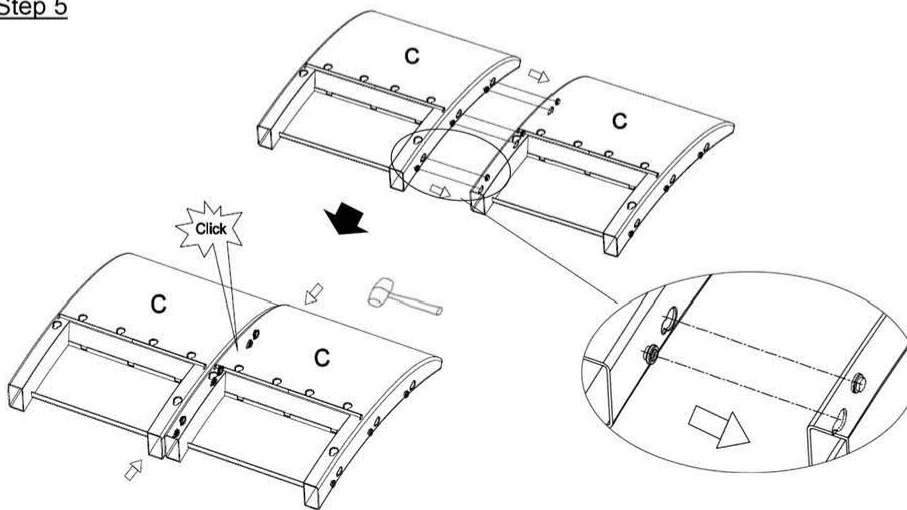
Place the Seat Panels(D) facedown on the clean, non-marring surface.
Insert the Clasps of the Seat Panel(D) into the large part of Pear-shaped Clasp mounting positions of the other Seat Panel(D) and push down to button up the Clasps with the Rubber Hammer(Q).

Step 4



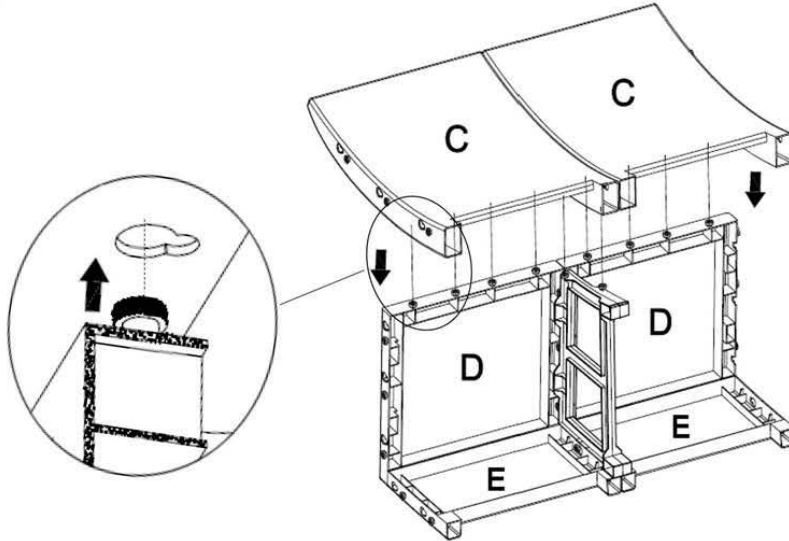
With help from an adult partner, insert Front Panels(E) and Inner Panels(L) into Seat Panels(D) using the interlocking joints with Rubber Hammer(Q).

Step 5



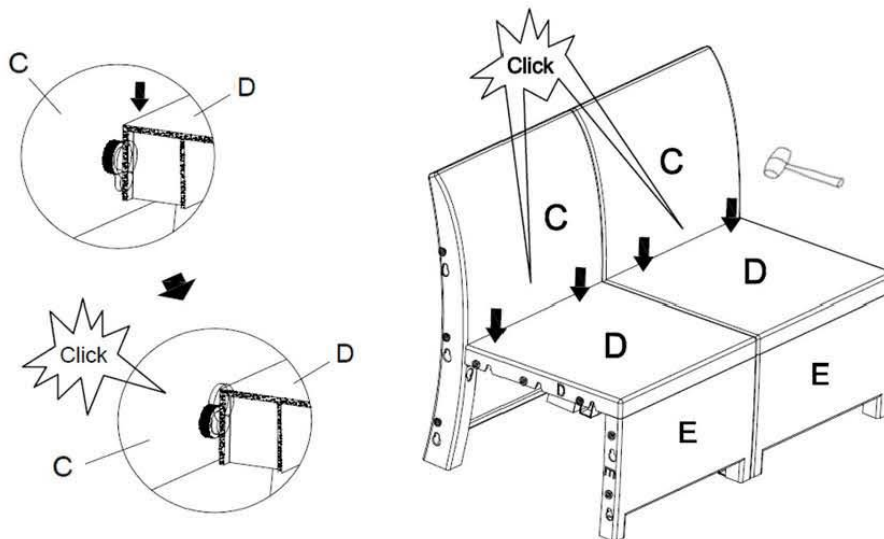
Place the Backrests(C) on the clean, non-marring surface.
Insert the Clasps of the Backrest(C) into the large part of the Pear-shaped Clasp mounting positions on the other Backrest(C).
Button up the Clasps with the Rubber Hammer(Q) as pictured.

Step 6



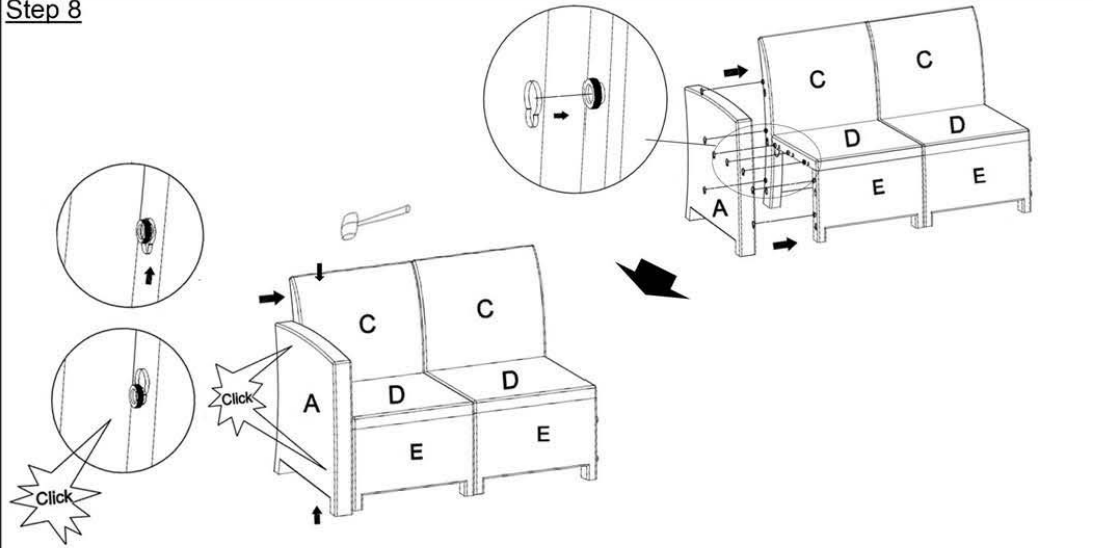
With help from an adult partner, place the Backrests(C) on the Seat Panels(D) and Inner Panels(L) as shown above. Insert the Clasps of the Seat Panels(D) and Inner Panels(L) into the large part of Pear-shaped Clasp Mounting Positions of the Backrests(C).

Step 7



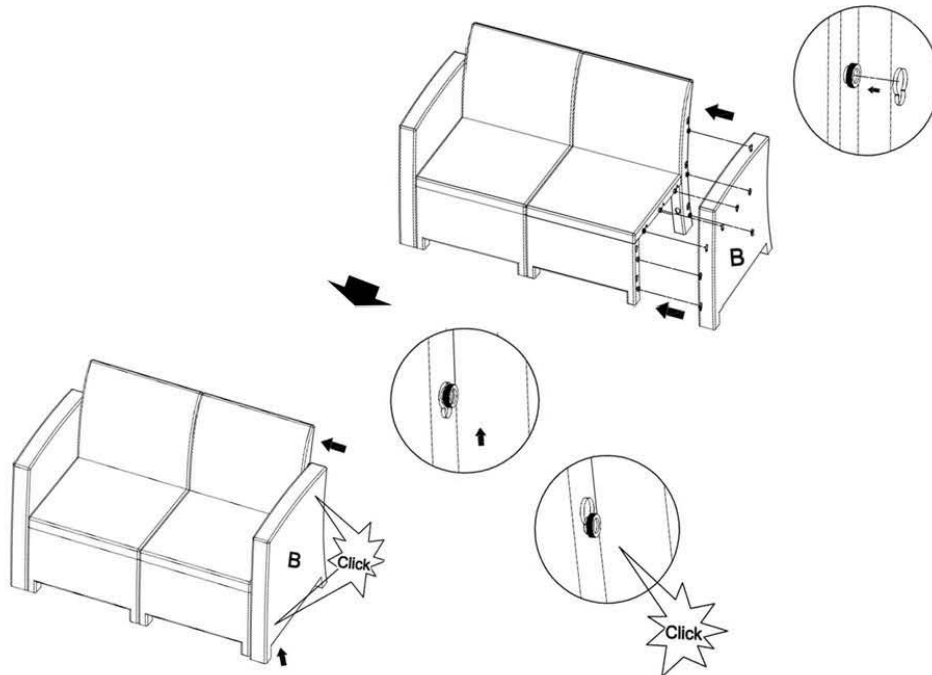
With the help of your adult partner, stand the assembly upright. Button up the Clasps with the Rubber Hammer(Q) left to right as pictured.

Step 8



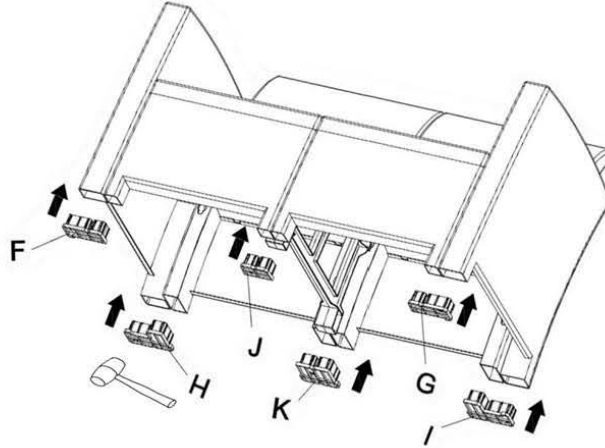
Align the Left Armrest(A) to the left side of Backrest(C), Seat Panel(D), and Front Panel(E).
Insert the Clasps on the Left Armrest(A) into the Pear-shaped Clasp mounting positions on the Front Panel(E), Seat Panel(D), and Backrest(C).
Insert the 8 Clasps of Front Panel(E), Seat Panel(D), and Backrest(C) into Pear-Shaped Clasp mounting positions of Left Armrest(A).
Button up the Clasps with the Rubber Hammer(Q) from left to right as shown above.

Step 9



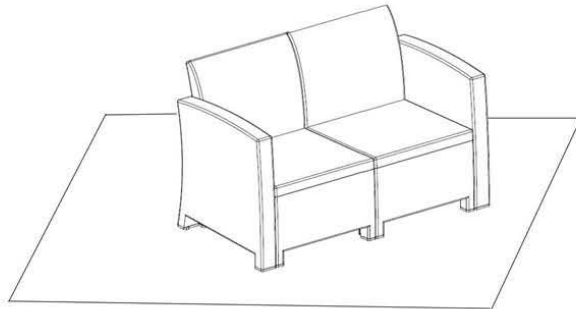
Repeat the process from **Step 8**, to assemble the Right Armrest(B)

Step 10



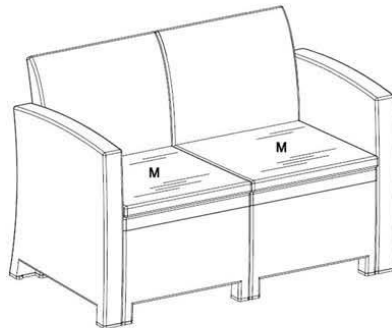
Attach the Left Front Foot Clip(F), Right Front Foot Clip(G), Left Back Foot Clip(H), Right Back Foot Clip(I), Front Middle Foot Clips(J), and Back Middle Foot Clips(K) to the feet of the 3 Seater using the Rubber Hammer(Q) as shown above.

Step 11























With the help of your adult partner, stand the 3 Seater up on a Level surface, to check for wobbles. If there are wobbles, use the Rubber Hammer(Q) to ensure all parts are properly secured.

Step 12



Place the Cushion(M) on the seat.
Your 3 Seater is ready for use.
This 3 Seater can only be used on a flat, level surface.

Care & Maintenance

-   • Do not put hot items directly on furniture surface
 -   • Do not clean furniture with harsh cleansers or polish.
 -   • To obtain the longest lifespan of your outdoor products, minimizing exposure to direct sunlight is recommended.
 -   • Children should not climb or jump on the furniture.
 -   • Do not write on furniture without a padded barrier to protect the surface.
 -   • To obtain the longest lifespan of your outdoor products, avoid extended and lengthy exposure to rain, snow, and direct sunshine. Whenever possible cover the product and /or place under patio or awnings.
 -   • Not for commercial use. For residential use only .
 -   • Stains may be removed with mild soap solution and damp cloth.
 -   • Keep away from sources of ignition.
-
-   • Dust and pick-up spills using a clean, non-colored, lint-free cloth .

What is Proposition 65?

Proposition 65 is a California law that requires warning labels on products that may contain one of more than 800-plus chemicals or ingredients that the California Office of Environmental Health Hazard Assessment (OEHHA) has deemed to cause cancer or other reproductive toxicity. Chemicals and elements on this list include wood dust, brass, and other everyday substances, which can be found in very common household items, such as: lamps, tableware, jewelry, crystal glasses, electric cords, beauty products, automobiles, and furniture.

Why Did I Find a Proposition 65 Warning on My Home Goods Product?

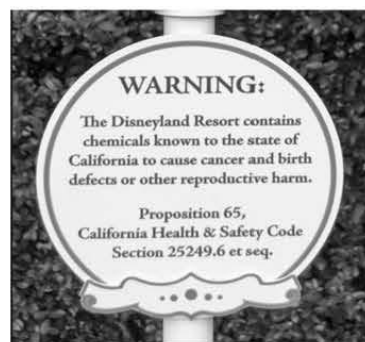
We include Proposition 65 warnings on all of our products because there is always a chance that one of the 800-plus common chemicals and ingredients listed under this law could potentially be on our furniture or packing materials. We risk large fines under this law, if we don't include this warning.

Should I worry?

We realize you may be worried finding this warning on our products, but we want to reassure you that the hazardous exposure limits for any of these chemicals have never been found on furniture products that we've shipped to our customers. Additionally, this warning label is very common and can be found on almost every piece of furniture sold in the state of California.

Just How Common Are Proposition 65 Warnings?

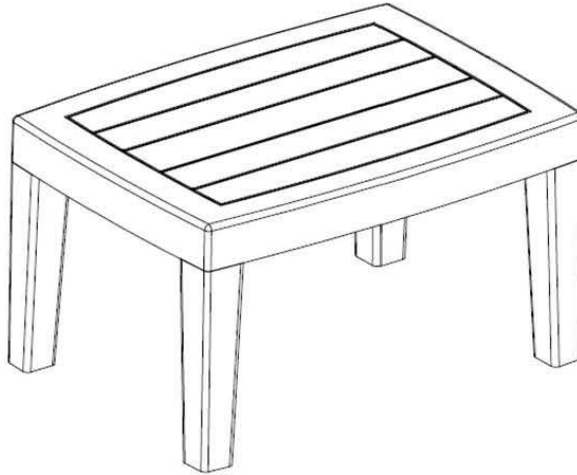
Proposition 65 warnings have become so common in California that it is hard to take a trip to a local bank, grocery store, or restaurant without finding at least one warning. In fact, even the Disneyland Resort has a Proposition 65 warning:



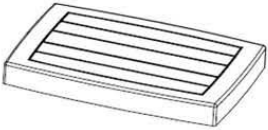

Assembly Instructions

Caution : You must read this before you proceed

Table

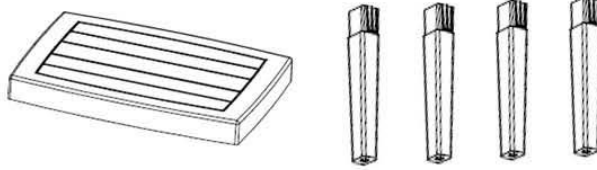


Parts List

Label	Picture	Description	QTY
N		Table Top	1
O		Leg	4

Assembly Preparation

Before
Beginning
Assembly:



- Read instructions, cover to cover-



- Have 2 adults on hand for assembly-



- Do not assemble on flooring or carpet-



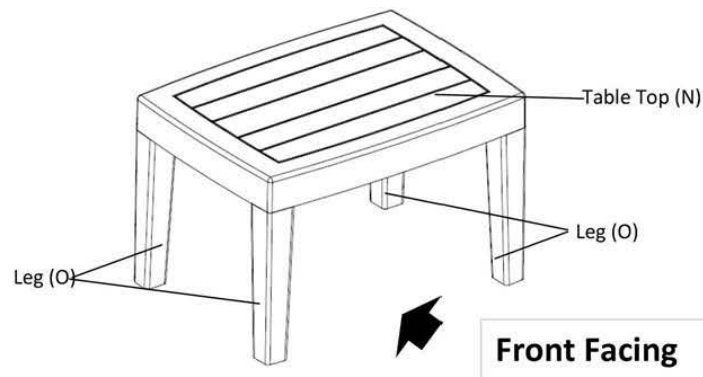
- Assemble on a clean non-marring surface (packing foam)-



- Save all packaging until finished-

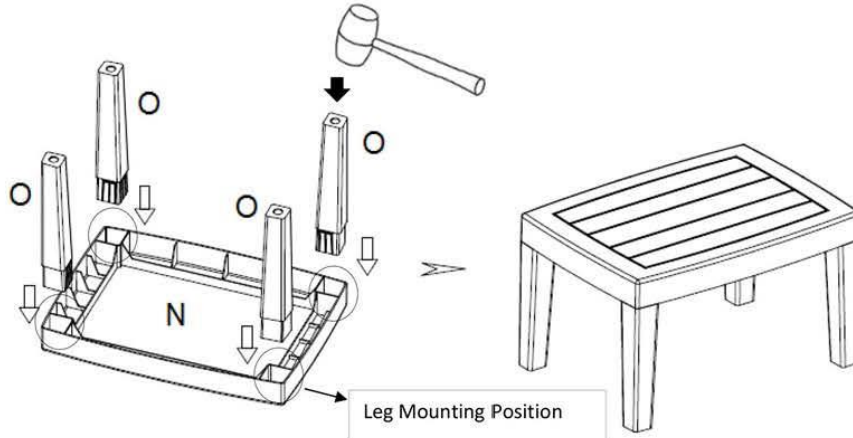
Assembly Steps

Overview



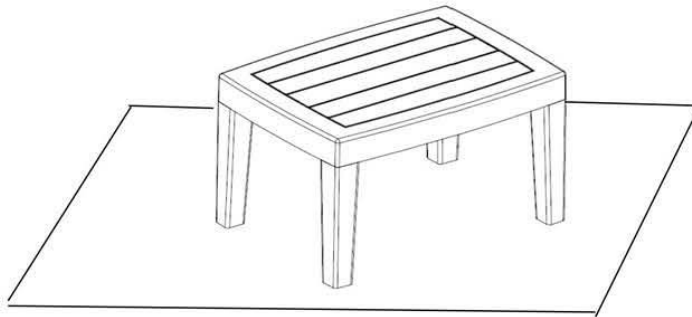
This Table has multiple parts and may require up to 30 minutes to assemble. To give you an overview of the Table parts, the above picture is to help you put the various parts into perspective. Please read through the instructions below to familiarise yourself with the parts and steps before assembly.

Step 1



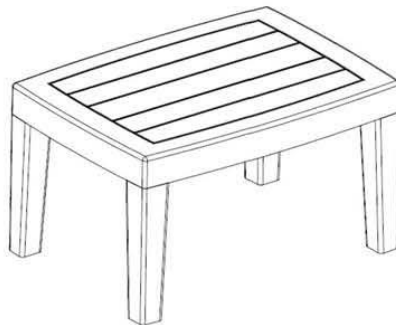
Open the carton, and place all parts on a clean, non-marring surface.
Place the Table Top(N) facedown on the clean, non-marring surface.
Insert one Leg(O) into the mounting position on the Table Top(N), use the Rubber Hammer(Q) to secure the Leg as shown above.
Repeat the same process with the remaining Legs(O).

Step 2















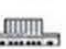






Place the Table on a level surface to check the wobbles.
If there are wobbles, use the Rubber Hammer(Q) to ensure Legs are properly secured.

Step 3



Your Table is ready for use.
This Table can only be used on a flat, level surface.

Care & Maintenance

-   • Do not put hot items directly on furniture surface.
 -   • Do not clean furniture with harsh cleansers or polish.
 -   • To obtain the longest lifespan of your outdoor products, minimizing exposure to direct sunlight is recommended.
 -   • Children should not climb or jump on the furniture.
 -   • Do not write on furniture without a padded barrier to protect the surface.
 -   • To obtain the longest lifespan of your outdoor products, avoid extended and lengthy exposure to rain, snow, and direct sunshine. Whenever possible cover the product and /or place under patio or awnings.
 -   • Not for commercial use. For residential use only.
 -   • Stains may be removed with mild soap solution and damp cloth.
 -   • Keep away from sources of ignition.
-
-   • Dust and pick-up spills using a clean, non-colored, lint-free cloth.

What is Proposition 65?

Proposition 65 is a California law that requires warning labels on products that may contain one of more than 800-plus chemicals or ingredients that the California Office of Environmental Health Hazard Assessment (OEHHA) has deemed to cause cancer or other reproductive toxicity. Chemicals and elements on this list include wood dust, brass, and other everyday substances, which can be found in very common household items, such as: lamps, tableware, jewelry, crystal glasses, electric cords, beauty products, automobiles, and furniture.

Why Did I Find a Proposition 65 Warning on My Home Goods Product?

We include Proposition 65 warnings on all of our products because there is always a chance that one of the 800-plus common chemicals and ingredients listed under this law could potentially be on our furniture or packing materials. We risk large fines under this law, if we don't include this warning.

Should I worry?

We realize you may be worried finding this warning on our products, but we want to reassure you that the hazardous exposure limits for any of these chemicals have never been found on furniture products that we've shipped to our customers. Additionally, this warning label is very common and can be found on almost every piece of furniture sold in the state of California.

Just How Common Are Proposition 65 Warnings?

Proposition 65 warnings have become so common in California that it is hard to take a trip to a local bank, grocery store, or restaurant without finding at least one warning. In fact, even the Disney Land Resort has a Proposition 65 warning:

