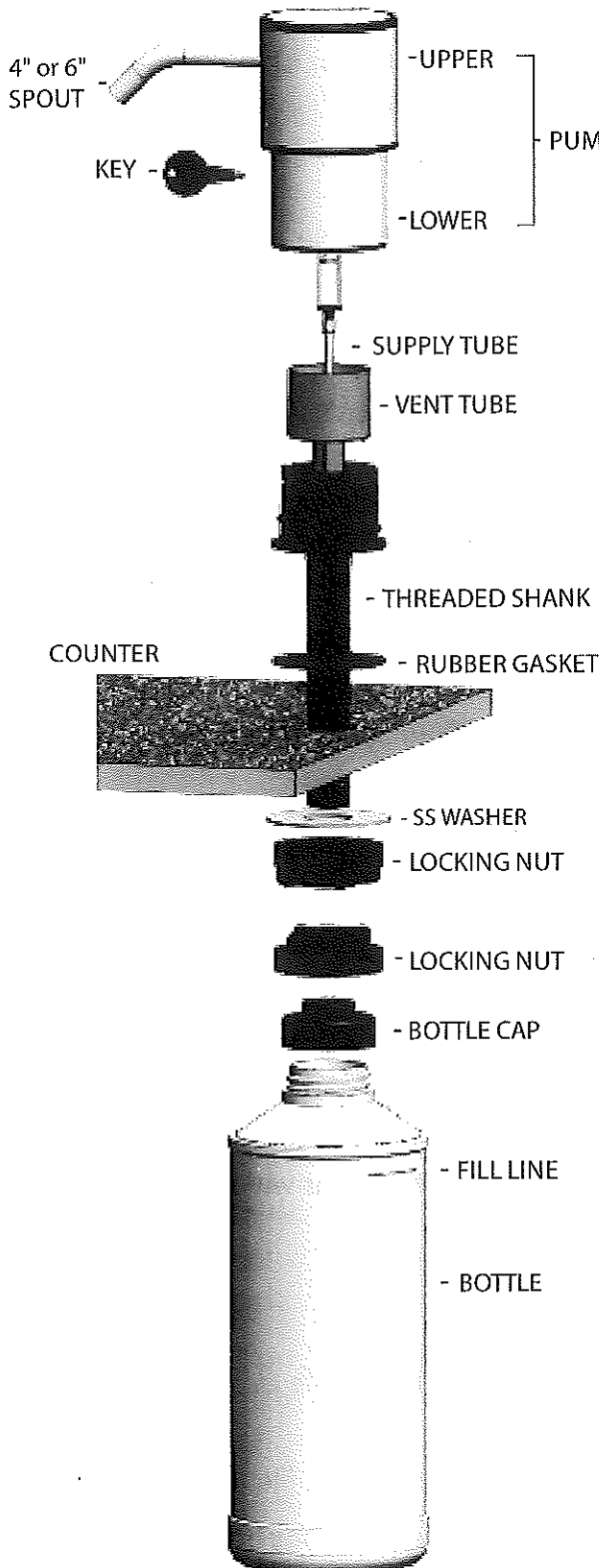


Lite'n Foamy®

4" or 6" Countermount Foam Soap Dispenser (967700/965500)

Instructions for Installation, Filling and Maintenance



1. INSTALLATION

- Mount the dispenser fully assembled. See below for opening.
- Mounting hole opening must be 7/8" to 1 3/8" Dia.
- Make sure area around mounting hole is clean and free of soap residue.
- Insert Rubber Gasket underside of Threaded Shank.
- For top of counter, insert Threaded Shank and complete Pump through 1" diameter opening in counter and position 4" or 6" Spout to desired direction.
- From under the counter, position SS Washer then thread Locking Nut to Threaded Shank and tighten securely into position.
- Install second Locking Nut in reverse position.
- Attach Bottle Cap to Bottle and thread this assembly up the Threaded Shank to desired depth.
- Tighten the reversed Locking Nut down to Bottle Cap.

2. FILLING :

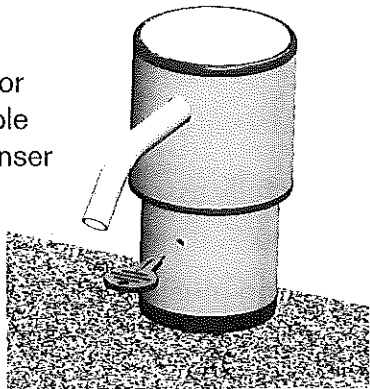
There are two ways of filling empty Bottle.

1. First option is from the top side of counter by removing complete Pump from Threaded Shank.
2. Second option is simply unscrew empty Bottle from Bottle Cap and screw it back after refill.

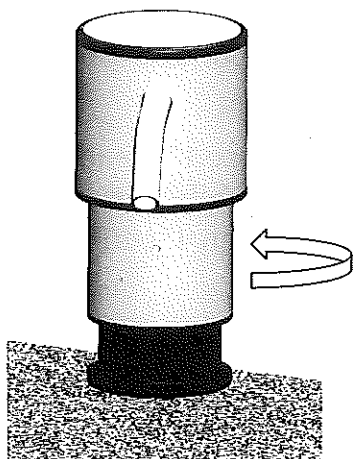
Lite'n Foamy®



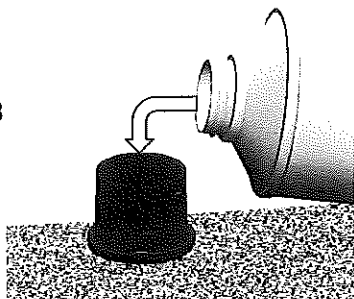
Step 1
Only for
lockable
Dispenser



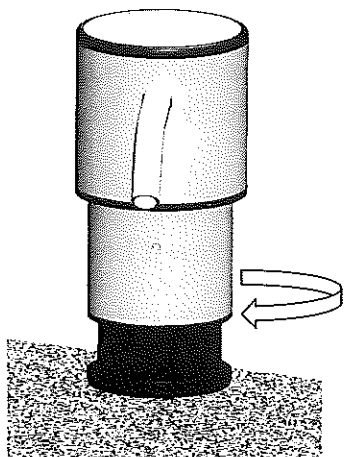
Step 2



Step 3



Step 4



STEPS FOR FILLING ON TOP SIDE

STEP 1 - Stick Key into small hole in front of Lower Pump under Spout and push until it stops.

STEP 2 - While pushing key into hole, twist Upper Pump counterclockwise and pull it up by holding Lower Pump side until it releases from bayonet guiding groove.

STEP 3 - Now you have access to filling chamber. Fill the Bottle with soap at steady pace. Make sure not to overfill it. Stop at fill line label shown on bottle.

STEP 4

- Assemble Upper Pump back in reverse order.
- Activate complete Pump several times until new foam discharges. Dispenser is now primed and ready for use.

3. RECOMMENDED SOAP:

- Use only Lite 'n Foamy products with this unit. (See foam soap only label on unit)

4. MAINTENANCE:

- To keep Dispenser in good shape, clean with Mild Detergent solution.
- Thoroughly rinse with clear water and wipe dry with soft cloth.

IMPORTANT:

- Do not attempt to dismantle complete Pump Assembly.
- Keep these instructions on file for reference.
- **Do not fill/refill bottle beyond fill label.**