

Valve Specifications

Model V2048

Product of Italy

Description:

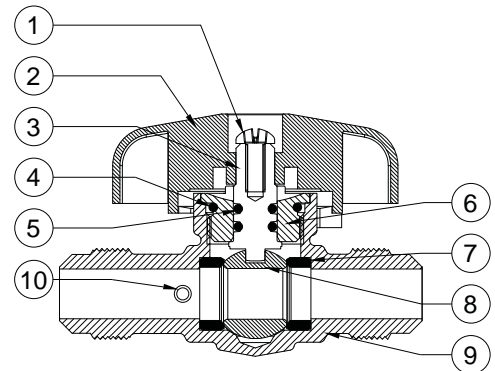
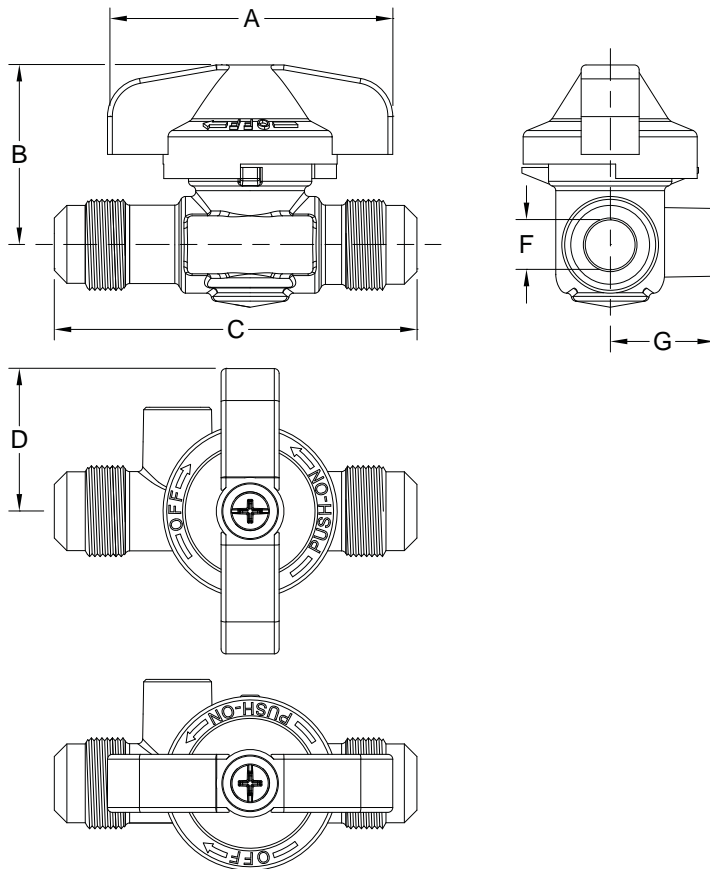
One-Piece Gas Appliance/Shutoff Ball Valves
 Available in 1/2" Flare
 Forged Brass Construction with Side Tap
 Removable Handle Rotates 180°
 Chrome-Plated Brass Ball

Performance:

Rated for 1/2 PSIG & 5 PSI Gas
 Working Temperature Range -4°F to 140°F

Compliance:

ANSI Z21.15 & CSA Can 1-9.1 for 1/2 PSIG Gas
 ANSI 3-88 (ASME B16-44) & CSA/GCA CR91-002 for 5 PSI Gas
 ASME B1.20.1 (Pipe & Flare Threads)
 SAE J513 (Flare Connections)



No.	Part	Material	Qty
1.	Screw	Zinc-Plated Steel	1
2.	Handle	Aluminum	1
3.	Stem	C38500 Brass	1
4.	Bonnet O-Ring	NBR	1
5.	Stem O-Ring	NBR	2
6.	Bonnet Nut	C38500 Brass	1
7.	Ball Seal	PTFE	2
8.	Ball	C37700 Brass	1
9.	Body	C37700 Brass	1
10.	Tap	C37700 Brass	1

CAUTION: Cross-tightening during installation can damage this valve. Tighten only from the valve side being installed on the pipe.

MFG Model Series 9697

Premier One-Piece Gas Appliance/Shutoff Ball Valves *All Dimensions are Nominal.*

Model	Size	A	B	C	D	E	F
V2048	1/2"	2-1/4"	1-1/2"	3"	1-1/8"	0.41"	7/8"