



H1620SS



5" x 20" x 18" (H x W x D)

20 inch wide convertible range hood for ducted or ductless use in stainless steel finish

Highlights:

20" wide range hood matches slim apartment sized ranges

Convertible from top or rear venting into non-vented recirculating mode

Stainless steel finish for lasting durability

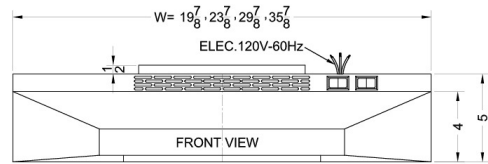
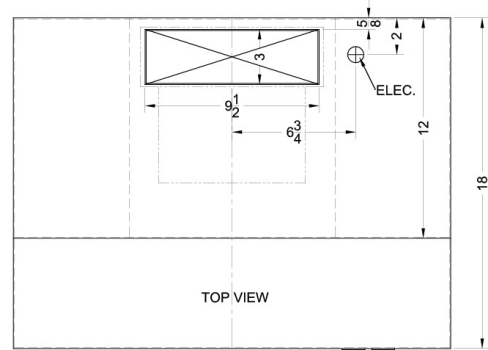
Product Features:

| | |
|--------------------------|--|
| 20" wide | Designed to match 20 inch ranges; also available in 24, 30, and 36 inch widths |
| Convertible range hood | Use top or rear venting or convert into non-vented recirculating mode |
| Stainless steel finish | White, black, and bisque hoods also available in same size |
| Two-speed fan | Variable speed for more ventilation options |
| Light | Switchable light offers more convenience in your kitchen |
| Aluminum-charcoal filter | Provides thorough filtering to reduce odors |
| Made in the USA | Solidly constructed for years of use |
| More sizes available | Additional sizes can be specially ordered (minimums apply) |



H1620SS Specifications:

| Overview | |
|------------------------|------------------|
| Height of Cabinet | 5.0" (13 cm) |
| Width | 20.0" (51 cm) |
| Depth | 18.0" (46 cm) |
| Cabinet | Stainless Steel |
| Weight | 15.0 lbs. (7 kg) |
| Shipping Weight | 17.0 lbs. (8 kg) |
| Parts & Labor Warranty | 1 Year |



| MODEL NO. | WIDTH |
|------------|---------|
| 1600EZVx20 | 19 7/8" |
| 1600EZVx24 | 23 7/8" |
| 1600EZVx30 | 29 7/8" |
| 1600EZVx36 | 35 7/8" |