

## FFCD2413U S/W/B

### DISHWASHER

24" BUILT-IN



#### AVAILABLE COLORS



Stainless



White



Black

#### PRODUCT DIMENSIONS

Height (Min. -Max.)	33-1/2" -35"
Width	24"
Depth	25"

#### MORE EASY-TO-USE FEATURES

##### ENERGY STAR® Certified

Maximize your energy and dollar savings with ENERGY STAR® Certified Appliances.

##### Time Saving 4-Hour Delay Start

Set your dishwasher to run on your schedule. It can be set to run 4 hours in advance.

##### Cycle Status Indicators

Know when your dishes are washing, drying and clean with the status indicators.

##### Filtration System

Self-cleaning filter eliminates food particles, keeping dishes clean.

##### Stay-Put Door Allows For Easier Loading

The door stays put at whatever angle you open it for easy loading and unloading.

##### Durable Polymer Wash Tub

Supports the drying process, keeping dishes dry the first time.

##### Built with American Pride

Designed, engineered and assembled in the U.S.A.

### SIGNATURE FEATURES

#### A Thorough Clean Every Time

Three separate spray arms give your dishes the ultimate clean every time.

#### Fits up to 14 Place Settings

Cleans 14 place settings in one cycle.

#### Heated Drying System

Heating element helps dry your dishes the first time.

#### Multiple Cleaning Cycle Options

Features easy-to-use cleaning cycle options for your different cleaning needs including Energy Saver, Light Wash and Heavy Wash.

#### CERTIFICATIONS

ENERGY STAR®



# FFCD2413U S/W/B DISHWASHER

FRIGIDAIRE

## 24" BUILT-IN

### FEATURES

Control Design	Ready-Select®
Door Latch / Stay-Put Door Hinge Design	Yes / Yes
Low Rinse-Aid Indicator Light	Yes
Interior Color / Interior Design	Greystone / Tall Tub
Wash System	Direct Feed
Wash Levels / Wash Speeds	5 / 5
Sound Package	UltraQuiet™ I
Filter / Filter Trap	Poly / Removable
Food Disposer	Hard
dB Level	60
Drying System	Static Vent

### CYCLES

Number of Cycles	3
PowerPlus™ (Heavy)	Yes
Normal	Yes
Light	Yes
Cycle Indicator Light / Control Lock	Yes / Yes

### OPTIONS

Heat / No Heat Dry	Yes / Yes
Hi-Temp Wash	Yes
Delay Start	4 Hours

### RACK SYSTEM

Rack Design	Standard
Rack Coating	PVC

#### Lower Rack -

SpaceWise® Silverware Basket	Standard
------------------------------	----------

#### Upper Rack -

Rack Type	Basic
-----------	-------

### CERTIFICATIONS

ENERGY STAR®	Yes
--------------	-----

### SPECIFICATIONS

Water Inlet Location	Left Bottom Front
Water Usage (Gallons)	6.0
Water Pressure (PSI)	20 - 120
Integral Air Gap on Supply	Yes
Leveling Legs	Yes
Power Supply Connection Location	Right Bottom Front
Voltage Rating	120V / 60 Hz / 15A
Connected Load (kW Rating) @ 120 Volts <sup>1</sup>	1.44
Amps @ 120 Volts	10.0
Shipping Weight (Approx.)	83 Lbs.

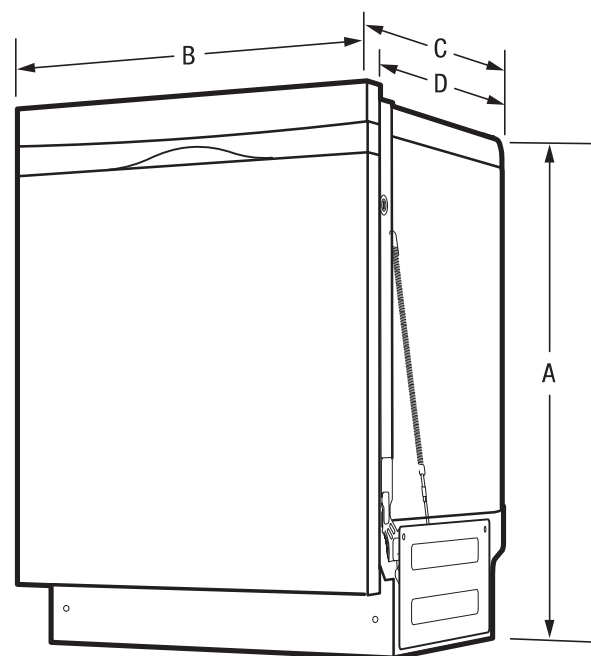
<sup>1</sup>For use on adequately wired 120V, dedicated circuit having 2-wire service with a separate ground wire. Appliance must be grounded for safe operation.

### PRODUCT DIMENSIONS

A-Height (Min.-Max.)	33-1/2" - 35"
B-Width	24"
C-Depth	25"
Depth with Door Open 90°	49-1/4"

### CUTOUT DIMENSIONS

Height (Min.)	33-1/2"
Height (Max.)	35-1/4"
Width (Min.)	24"
Depth (Min.)	24"



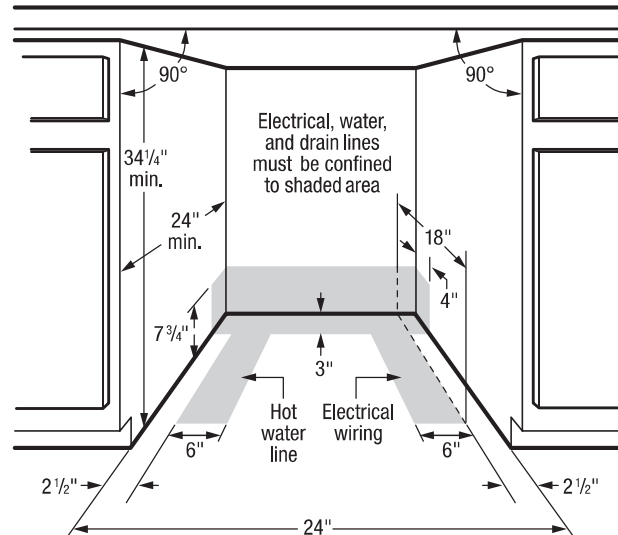
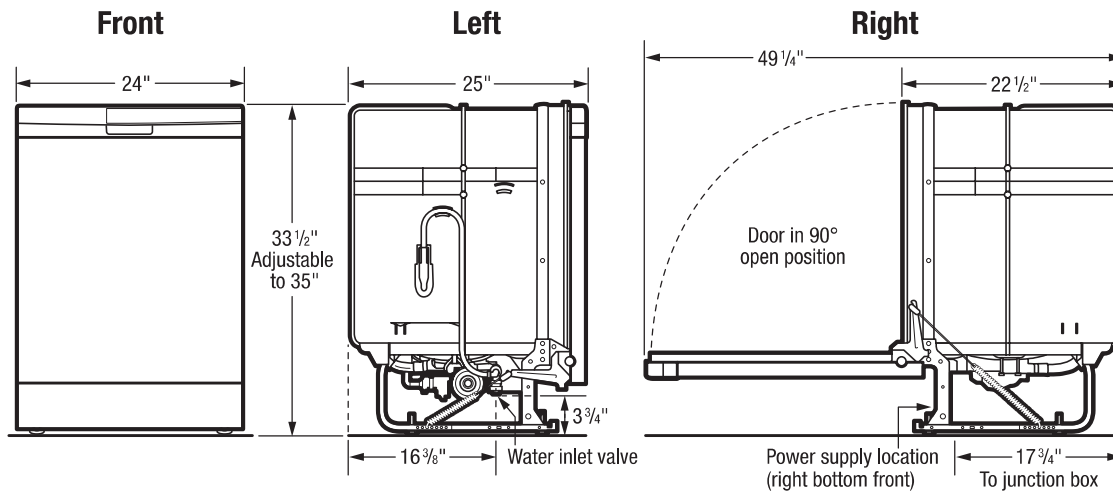
**Note:** For planning purposes only. Always consult local and national electric, gas and plumbing codes. Refer to Product Installation Guide for detailed installation instructions on the web at [frigidaire.com](http://frigidaire.com) / [frigidaire.ca](http://frigidaire.ca).

Specifications subject to change. Accessories information available on the web at [frigidaire.com](http://frigidaire.com) / [frigidaire.ca](http://frigidaire.ca)

## FRIGIDAIRE

USA • 10200 David Taylor Drive • Charlotte, NC 28262 • 1-800-FRIGIDAIRE • [frigidaire.com](http://frigidaire.com)  
CANADA • 5855 Terry Fox Way • Mississauga, ON L5V 3E4 • 1-800-265-8352 • [frigidaire.ca](http://frigidaire.ca)

FFCD2413U 06/18  
© 2018 Electrolux Home Products, Inc.



## INSTALLATION SPECIFICATIONS

- Product Shipping Weight (approx.) – 83 Lbs.
- Voltage Rating – 120V/60 Hz/15 Amps (maximum 20 Amps if connected with disposer)
- Connected Load (kW Rating) @ 120 Volts = 1.44 kW  
(For use on adequately wired 120V, dedicated circuit having 2-wire service with a separate ground wire. Appliance must be grounded for safe operation.)
- Amps @ 120V = 10 Amps
- Always consult local and national electric & plumbing codes. Meets requirements of ASSE 1006—integral air gap on supply.
- Water Pressure – Hot water line to dishwasher must provide between 20 and 120 pounds per square inch (psi) with at least 120° F hot water temperature.
- Make sure location has correct drain, water and electrical outlets to make connections—MUST be confined to shaded areas.
- Electrical and water supplies should enter cabinet opening on floor, or through back or side walls, as shown in shaded areas.
- Keep back free of drain, water & electrical supply.
- Connections preferably located toward left side of dishwasher. Do not cross drain, water or electrical lines in front of motor, blower or frame.
- If connecting drain hose to sink trap, local code may require installation of Air Gap Kit (not included).
- Leveling legs supplied to adjust height. (Note: Height only adjustable to 35-3/4" max. when installed in 35-3/4" max. standard cabinetry cutout. 5/16" min. clearance required from top of unit to underside of countertop. Dimensions do NOT include insulation — insulation blanket may be compressed during installation.)
- When installing adjacent to wall, cabinet or other obstruction that extends beyond front edge of unit, allow 2" minimum clearance between opened door and obstruction.
- Floor should be flat and free of obstructions with carpet removed to provide motor clearance.
- When installing at end of cabinet line, sides and back must be fully enclosed.
- Do not install unit under a cooktop, damage will occur.
- Recommended to seal cabinets, enclosing all sides of dishwasher, including underside of countertop, with oil-based paint or moisture-proof polyurethane to prevent possible steam/moisture damage.



*Note: For planning purposes only. Always consult local and national electric, gas and plumbing codes. Refer to Product Installation Guide for detailed installation instructions on the web at [frigidaire.com](http://frigidaire.com) / [frigidaire.ca](http://frigidaire.ca).*

*Specifications subject to change. Accessories information available on the web at [frigidaire.com](http://frigidaire.com) / [frigidaire.ca](http://frigidaire.ca)*

FRIGIDAIRE

USA • 10200 David Taylor Drive • Charlotte, NC 28262 • 1-800-FRIGIDAIRE • [frigidaire.com](http://frigidaire.com)  
CANADA • 5855 Terry Fox Way • Mississauga, ON L5V 3E4 • 1-800-265-8352 • [frigidaire.ca](http://frigidaire.ca)

FFCD2413U 06/18  
© 2018 Electrolux Home Products, Inc.