

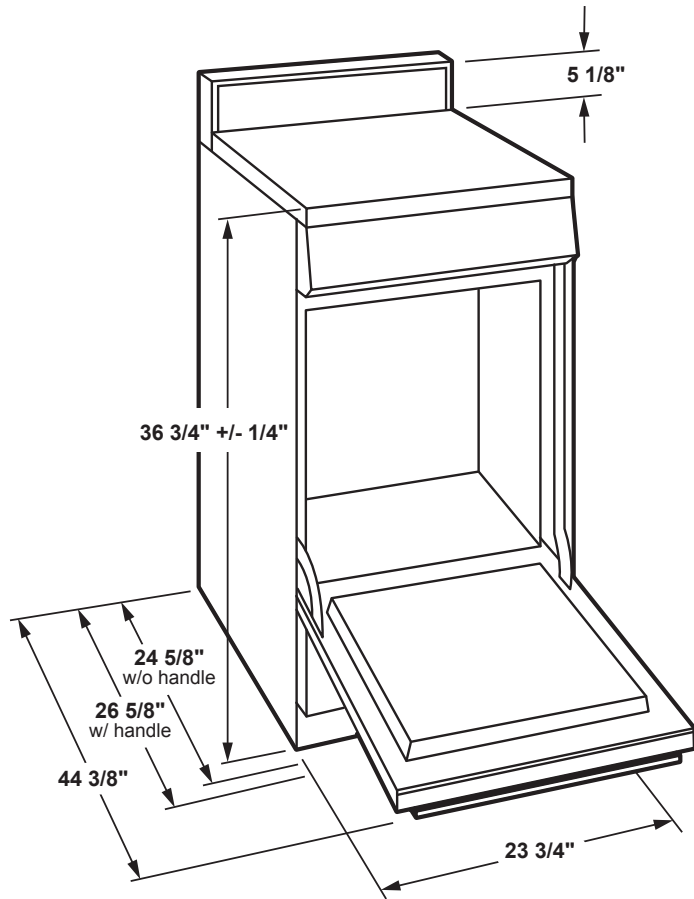
RGAS300DMWW

Hotpoint® 24" Front-Control Free-Standing Gas Range with Large Window

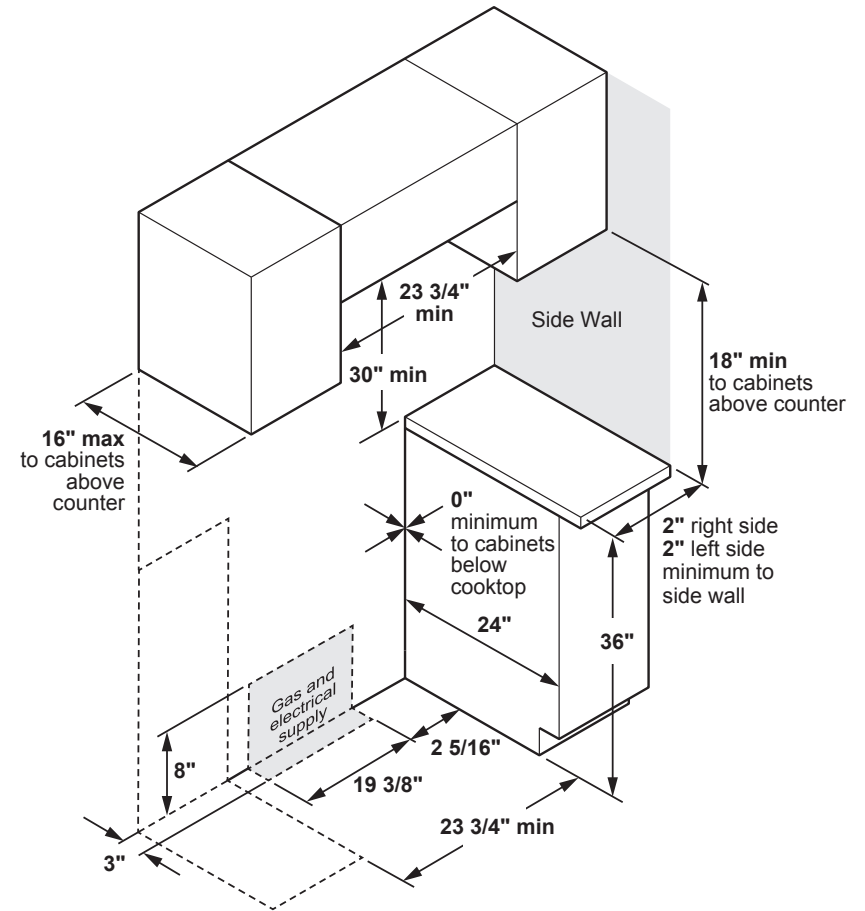
DIMENSIONS AND INSTALLATION INFORMATION (IN INCHES)

ELECTRICAL RATING: 120V, 60Hz, 5A

Installation Information: Before installing, consult installation instructions packed with product for current dimensional data.



DIMENSIONS AND CLEARANCES (CONT.) GAS PIPE AND ELECTRICAL OUTLET LOCATIONS



Hotpoint®

For answers to your Hotpoint product questions, visit our website at hotpoint.com or call 800.626.2000.

**ADA
COMPLIANT**



All GE Appliances ranges are equipped with an Anti-Tip device. The installation of this device is an important, required step in the installation of the range.

Specification Revised 7/18

RGAS300DMWW

Hotpoint® 24" Front-Control Free-Standing Gas Range with Large Window

FEATURES AND BENEFITS

Front controls – Minimize need to reach

Electronic pilotless ignition – Say farewell to the energy-wasting standing pilot! The electric pilotless ignition provides reliable operation

Porcelain oven door – Scratch-resistant porcelain coating makes the door more durable and easy to maintain

Sealed cooktop burners – Contains spills and make cleaning quick and easy

Two oven racks and multiple rack positions – Includes two oven racks that are sturdy and reliable and several positions allowing you to adjust the racks to accommodate any size cookware

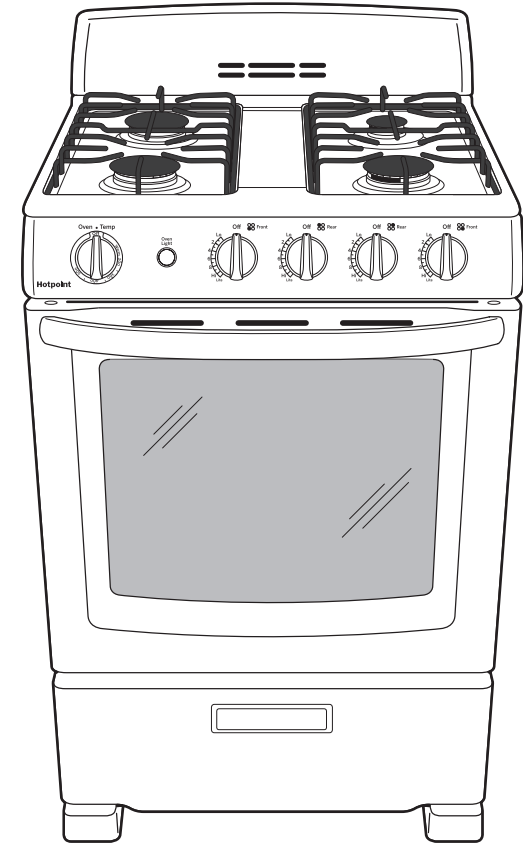
Broiler drawer – Delivers high concentrated heat for crisping and browning

One-piece durable handle – Strong and long-lasting

Large window – Keep an eye on foods without opening the oven door and losing heat

Standard clean oven – Smooth surface and rounded corners make clean-up quick and easy

Model RGAS300DMWW – White



Hotpoint®