



KM-350/520/660M_J

SLIM-LINE MODULAR CRESCENT CUBER



KM-350/520/660M_J
11/12/21
Item # 13260

Item #: _____
 Project: _____
 Qty: _____
 AIA#: _____

W x D x H
22" x 27^{3/8}" x 28"

KM|EDGE
ICE MACHINE SERIES

Air-Cooled

- KM-350MAJ ★
- KM-520MAJ ★
- KM-660MAJ

Air-cooled model
shown on optional bin: B-300



Water-Cooled

- KM-350MWJ
- KM-520MWJ
- KM-660MWJ

Remote Air-Cooled

- KM-520MRJ ★
- KM-660MRJ ★



Features

- ▶ Individual crescent cube
- ▶ Factory-installed ultrasonic bin control can be adjusted on site
- ▶ Simple, one-hour cleaning process



- Durable construction with fewer parts
- Self-diagnostic programming automatically adjusts to changing conditions
- Snap fit parts for easy cleaning
- Stainless steel double-sided evaporator
- CycleSaver™ design
- Protected by H-GUARD Plus Antimicrobial Agent
- EverCheck™ alert system
- Removable air filters (air-cooled model only)
- R-404A Refrigerant

Available on Bins/Dispensers:

| | | | | |
|---------|----------|---------|----------|---------|
| B-250SF | B-500/SF | B-800SF | B-1150SS | DB-130H |
| B-300SF | B-700SF | B-900SF | B-1300SS | DB-200H |
| | | | | DM-200B |

Top kit may be required. See Bin Spec Sheets.

Warranty:

3 Year Parts & Labor on entire machine 5 Year Parts & Labor on evaporator
5 Year Parts on Compressor; air-cooled condenser coil
Valid in United States, Canada, Puerto Rico and U.S. Territories. Contact factory for warranty in other countries.

Shipping: (LxWxH) 33" x 25.25" X 34.5" Volume: 16.64ft³



| Condenser | Model | ICE PRODUCTION | | WATER USAGE | | ELECTRICAL | | | | | | | |
|-----------|-------------|---|----------|--|--|--------------------------------------|--|----------|-----------|--|------------------------------|---|-----------------------------|
| | | Air / Water Temp Lbs. per 24 hours 70°/50°F | 90°/70°F | Potable Gal. per 100 lbs. 90°/70°F | Condenser Gal. per 100 lbs. 90°/70°F | kWh Used per 100 lbs. 90°/70°F | Min. Circuit Amp - Max. Fuse/Breaker | Amperage | Voltage | Circuit Wires (including ground) | Heat Rejection BTU/hr. | Refrigerant Charge Amount | Net / Ship Weight (lbs.) |
| Air | KM-350MAJ ★ | 489 | 393 | 14.5 | N/A | 5.42 | 15A | 9.05A | 115V/60/1 | 3 | 5,700 | 1 lb. 3.4 oz. | 125 / 175 |
| Water | KM-350MWJ | 414 | 383 | 15.5 | 109 | 4.90 | 15A | 7.5A | 115V/60/1 | 3 | 6,600 | 11.6 oz. | 126 / 175 |
| Air | KM-520MAJ ★ | 556 | 480 | 14.7 | N/A | 4.68 | 20A | 10.6A | 115V/60/1 | 3 | 6,600 | 1 lb. 10.8 oz. | 131 / 175 |
| Water | KM-520MWJ | 474 | 444 | 14.8 | 75 | 4.65 | 20A | 8.45A | 115V/60/1 | 3 | 6,300 | 12.7 oz. | 127 / 175 |
| Remote | KM-520MRJ ★ | 547 | 495 | 13.6 | N/A | 4.80 | 20A | 12.05A | 115V/60/1 | 3 | 6,200 | 2 lb. 4.7 oz. 4 lb. 2.7 oz. [†] | 122 / 175 |
| Air | KM-660MAJ | 665 | 617 | 14.8 | N/A | 5.12 | 20A | 15.2A | 115V/60/1 | 3 | 8,000 | 1 lb. 9.8 oz. | 131 / 180 |
| Water | KM-660MWJ | 669 | 668 | 16.1 | 152 | 4.28 | 20A | 12.35A | 115V/60/1 | 3 | 8,900 | 15.2 oz. | 130 / 180 |
| Remote | KM-660MRJ ★ | 646 | 602 | 14.7 | N/A | 5.60 | 20A | 16.1A | 115V/60/1 | 3 | 8,100 | 2 lb. 4.7 oz. 4 lb. 2.7 oz. [†] | 122 / 180 |

[†] (with condenser)

Power cord not included. Must be hard-wired at site.

Hoshizaki reserves the right to change specifications without notice.



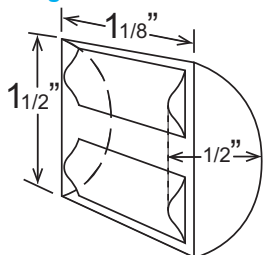
KM-350/520/660M_J

SLIM-LINE MODULAR CRESCENT CUBER



KM-350/520/660M_J
11/12/21
Item # 13260

KM Edge Cube Dimensions†



† approximate size in inches, image not to scale

Operating Limits

- Ambient Temp Range 45 - 100°F
- Water Temp Range 45 - 90°F
- Water Pressure 10 - 113 PSIG
- Voltage Range 104 - 127V

Service

- Panels easily removed and all components accessible for service.
- Removable/cleanable air filters. (Air-cooled model only)
- Allow 6" (15 cm) clearance at rear, sides, and top for proper air circulation and ease of maintenance/service.

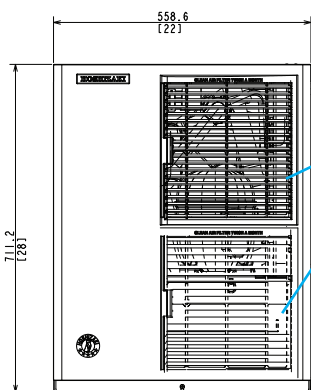
Plumbing

- Icemaker water supply line: minimum 1/4" nominal ID copper water tubing or equivalent
- Icemaker drain line: minimum 3/4" nominal ID hard pipe or equivalent Water-Cooled Model (Lines Must Be Independent of Icemaker)
- Condenser water supply line: minimum 1/4" nominal ID copper water tubing or equivalent
- Condenser drain/return line: minimum 1/4" nominal ID hard pipe (open drain system) or copper water tubing (closed loop system) or equivalent

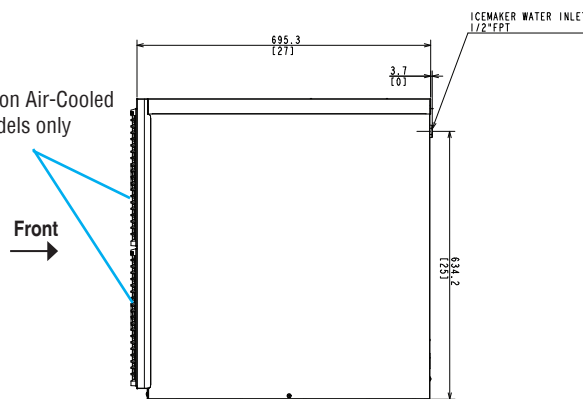
Water Filter

Please refer to water filter specification sheet for recommendations.

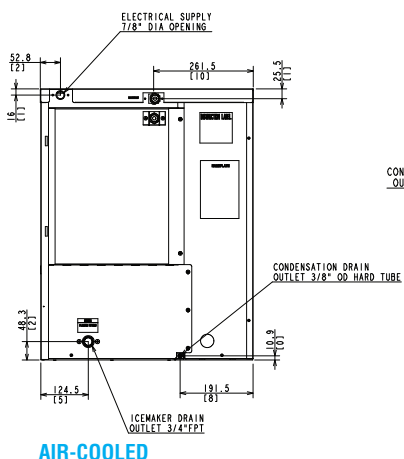
FRONT VIEW



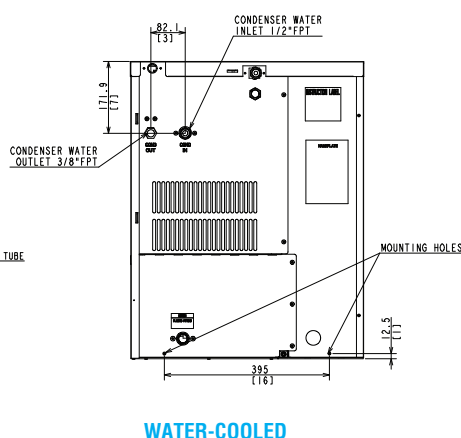
SIDE VIEW



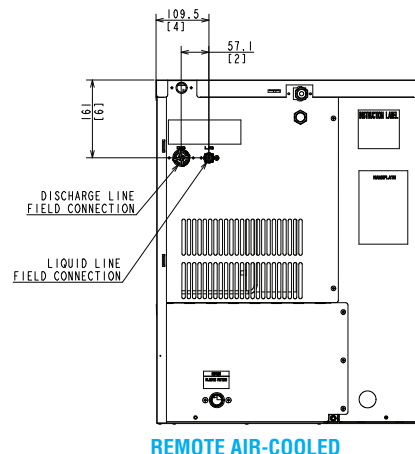
REAR VIEW



AIR-COOLED

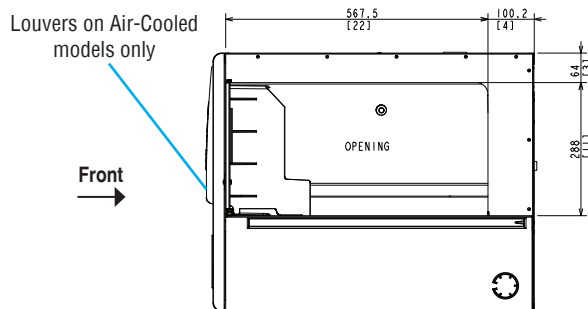


WATER-COOLED



REMOTE AIR-COOLED

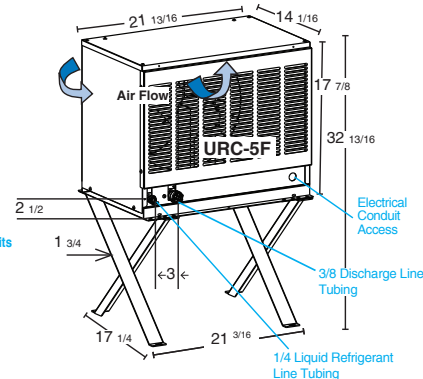
BOTTOM VIEW



URC-5F Remote Condenser (Sold Separately)

(W x D x H) 21 13/16 x 14 1/16 x 32 13/16

For Use with KM-520MRJ and KM-660MRJ



Pre-Charged Tubing Kits (Sold Separately)
20' R404-2046-2
35' R404-3546-2

Voltage supply for the URC Remote Condenser is supplied from the Ice Maker. No additional circuit is required.