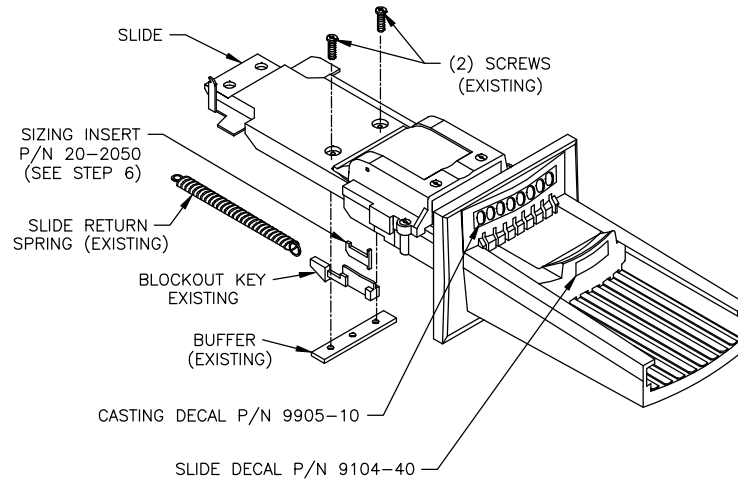
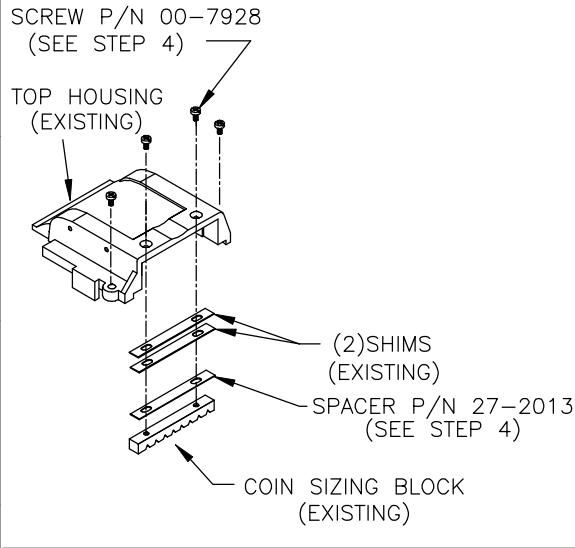


This drawing is the property of Greenwald Industries and may not be used or reproduced, nor its contents divulged without our knowledge or consent.

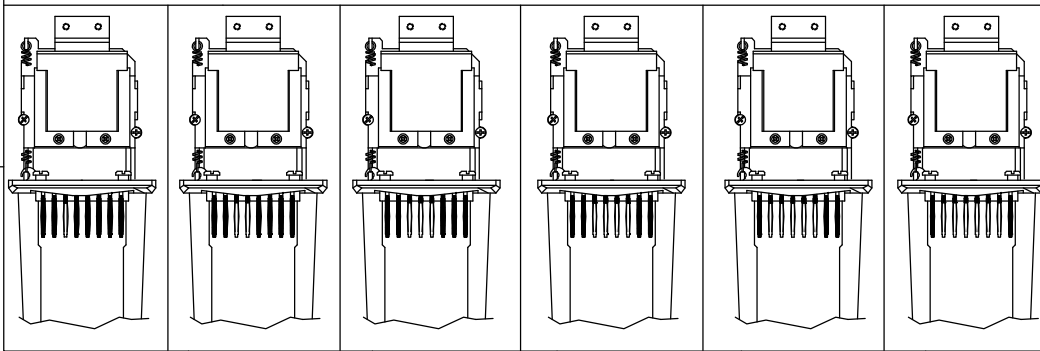
PART NO.		REV.	
20-01-000-X		A	
REV.	REVISIONS		
A	EN11936(8) RELEASE	SC	5/17/94



NOTE:

FOR ALL OPTIONS, REFER TO STANDARD V-8 COIN CHUTE DRAWING, P/N 20-00-000. THE MAGNET OPTION IS NOT APPLICABLE TO THIS COIN CHUTE.

20-01-000-001 -002 -003 -004 -005 -006
1 TOKEN 2 TOKENS 3 TOKENS 4 TOKENS 5 TOKENS 6 TOKENS



MODIFY A STANDARD VERTICAL 8 COIN CHUTE ASSY P/N 20-00-000 AS FOLLOWS:

1. REMOVE SLIDE RETURN SPRING.
2. REMOVE TOP HOUSING ASSY.
3. REMOVE AND DISCARD (2) SCREWS. REMOVE AND RETAIN (2) SHIMS AND COIN SIZING BLOCK.
4. ADD (1) SPACER P/N 27-2013 UNDER COIN SIZING BLOCK AND REASSEMBLE WITH (2) LONGER SCREWS, P/N 00-7928.
5. REASSEMBLE TOP HOUSING ASSY TO BODY CASTING.
6. PUSH SLIDE ALL THE WAY FORWARD WITH REQUIRED NUMBER OF TOKENS. REMOVE BUFFER (2 SCREWS) AND INSTALL REQUIRED NUMBER OF INSERTS, P/N 20-2050 AND BLOCKOUT KEYS, DEPENDING ON VEND PRICE. REASSEMBLE BUFFER.
7. REASSEMBLE SLIDE RETURN SPRING.
8. REMOVE SLIDE DECAL, REPLACE WITH SLIDE DECAL P/N 00-9104-40.
9. REMOVE CASTING DECAL, REPLACE WITH CASTING DECAL P/N 00-9905-10.

		GREENWALD INDUSTRIES	
212 MIDDLESEX AVE., CHESTER, CT 06412-1254			
UNLESS OTHERWISE SPECIFIED			
3 PLACE DECIMAL: ± .005	BURS PERMISSIBLE UP TO 5% OF MATERIAL THICKNESS AND/OR 20X OF THREAD PITCH		
2 PLACE DECIMAL: ± .010	DO NOT SCALE DIMENSIONS		
1 PLACE DECIMAL: ± .030	ANGLES: ± 1°		
MATERIAL:		FINISH	EDGE
MODIFY V-8 CHUTE P/N 20-00-000			
GAGE & TOL.	WIDTH & TOL.	LENGTH	TEMPER WT/100
FINISH: (DIMS. APPLY AFTER FINISH)			
DRAWN BY: S.CORNELIA	DATE: 5/16/94	CHECKED BY:	DATE: DES. ENG.: DATE:
TITLE: V-8 COIN CHUTE (STD I18-1 TOKEN)			
SCALE: N/A	SIZE: B	PART NO. 20-01-000-X	SHT. 1 of 1
		REV. A	