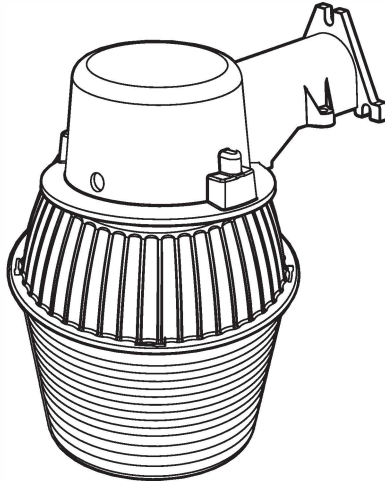


LED BULB AREA BARN LIGHT

INSTALLATION, USAGE, & CARE GUIDE



Questions? / Missing Parts? / Need Accessories?

Before returning to the store, call, text, or email PROBRITE
Customer Care 9am-5pm EST Monday to Friday.

1-844-507-5651

support@PROBRITE.com

PROBRITE.COM

Visit us online anytime or call us to get information on our product range, download detailed spec & photometric files, find product and mounting accessories, view installation tutorials and videos, and learn about our DLC® rebate eligible products.

TABLE OF CONTENTS

Table of Contents.....	2	Hardware Included.....	4
Safety Information.....	2	Installation.....	5
Pre-Installation.....	3	Operation	11
Planning Installation.....	3	Care & Cleaning.....	12
Specifications.....	3	Troubleshooting.....	12
Tools Required.....	3	Warranty.....	13
Package Contents.....	4		

SAFETY INFORMATION

IMPORTANT

THIS PRODUCT MUST BE INSTALLED IN ACCORDANCE WITH THE APPLICABLE NATIONAL ELECTRICAL CODE AND LOCAL BUILDING CODES BY A PERSON FAMILIAR WITH THE CONSTRUCTION AND OPERATION OF THE PRODUCT AND THE HAZARDS INVOLVED.

PRECAUTIONS

- Please read and understand this entire manual before attempting to assemble, install, or operate this light fixture.
- This light fixture requires a 120 Volt AC power source.
- Some codes require installation by a qualified electrician.
- This light fixture must be properly grounded.
- Make sure connections are secure using wire nuts, crimp-on lugs or other approved connecting devices
- This light fixture should be installed outdoors to a wall or a pole.



WARNING: Turn the power off at the circuit breaker or fuse. Place tape over the circuit breaker switch and verify power is off at the light fixture.



WARNING: Risk of fire. Keep the fixture at least 3 in. (76mm) from combustible materials.



CAUTION: Burn hazard. Allow the light fixture to cool before touching.



NOTICE: Do not connect this fixture to a dimmer switch.



NOTICE: FCC Regulations state that any unauthorized changes or modifications to this equipment not expressly approved by the manufacturer could void the user's authorization to operate this equipment.



INFORMATION: The device is tested and found to comply with Part 15 of the FCC Rules. Operation is subject to two conditions: (1) This device may not cause harmful interference and, (2) this device must accept any interference received, including any interference that may cause undesired operation.

These limits are designed to provide reasonable protections against harmful interference when the equipment is operated in a commercial environment.

PRE-INSTALLATION

PLANNING INSTALLATION

Before installing the light fixture, ensure that all parts are present. Compare parts with the *Hardware Included* and *Package Contents* sections. If any part is missing or damaged, do not attempt to assemble, install, or operate this light fixture.

SPECIFICATIONS

MODEL	LED29
Lumens (Light Output)	5000 Lumens
Watts (Power Consumption)	50Watts LED
Replaces	300W Incandescent
Lumens/Watts (Efficacy)	100 Lumens per watt
Power Requirements (Input Voltage)	120VAC
Light Color (CCT)	4000 Kelvin (Bright White)
Dimmable	Non-Dimming (Do not wire to dimming switch)
Operating Modes	Dusk-to-Dawn: Automatically turns light fixture ON during night and OFF during day.

TOOLS REQUIRED



⊕
Phillips
screwdriver



Wire strippers/
cutters



Circuit tester



Silicone
sealant



Work
gloves



Ladder



Wrench



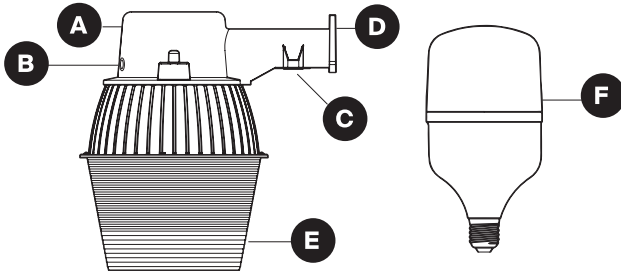
Safety
goggles



Power
drill

PRE-INSTALLATION (CONTINUED)

PACKAGE CONTENTS



Part	Description	Quantity
A	Light fixture	1
B	Photocell lens	1
C	Wire cover plate	1
D	Fixture arm	1
E	Reflector	1
F	LED light (YMT T100 29W 1940-40)	1

HARDWARE KIT



NOTE: Hardware *not* shown to actual size.

AA



BB



CC



DD



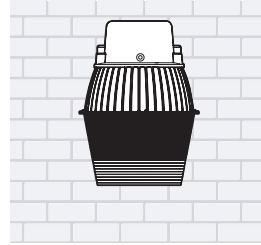
Part	Description	Quantity
AA	#8-32 x 3/4" Philips head screw	3
BB	Wire nut	3
CC	Rubber grommet	1
DD	Flat washer	3

INSTALLATION

1 FOR BEST RESULTS

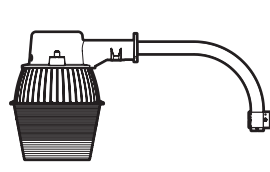
Review this information to ensure a successful installation:

- Install the light 12–30 ft. above the ground.
- When mounting the fixture, ensure the photocell is in an area that receives daylight and is not too close to reflective surfaces in order to ensure successful Dusk-to-Dawn operation.
- When installing two fixtures on one switch, make sure the switch is rated for at least a 1A inductive load.
- Do NOT wire to a dimming switch.
- When mounting to a wall, make sure the fixture is 7 in. on center away from an eave and 13 in. on center away from the inside corner of the exterior wall.



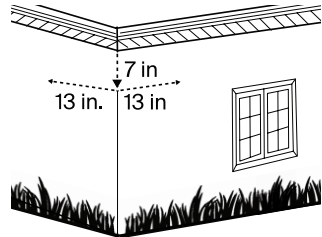
(fig 1).

Wall Mount



(fig 2).

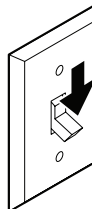
Extension Arm Mount



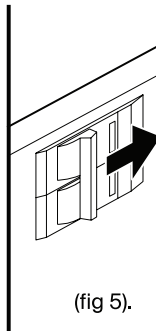
(fig 3).

2 SHUT OFF ELECTRIC POWER OFF

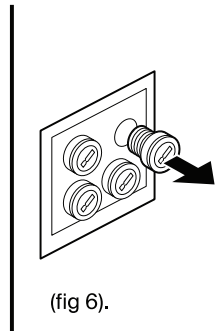
- Verify wall switch is in OFF position (fig 4).
- At the main electrical panel, turn off the circuit breaker that supplies power to the junction box you are working on (fig 5).
- For screw-in type fuses, unscrew the fuse that supplies power to the junction box you are working on (fig 6).



(fig 4).



(fig 5).



(fig 6).

INSTALLATION (CONTINUED)

3 PREPARING FOR MOUNTING THE FIXTURE

Wall Mount

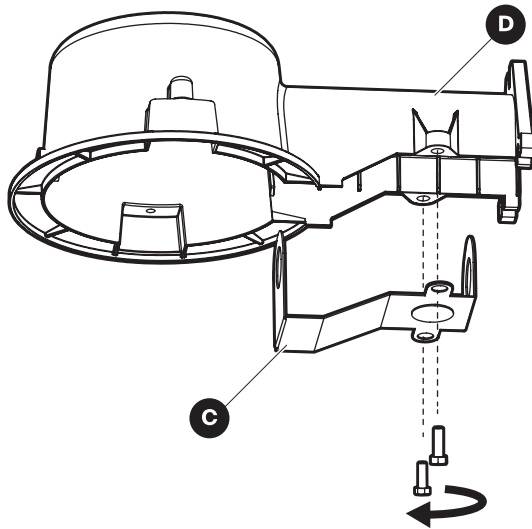


NOTE: The fixture comes with the wire guard protection plate (C) already installed on the fixture arm (D).

- Remove the wire guard protection plate (C) from the arm (D) of the fixture by loosening the screws.
- Mark and pre-drill the three holes on the desired location of the mounting surface.

Extension Arm Mount

- Remove the wire guard protection plate (C) from the arm (D) of the fixture by loosening the screws. (fig 7).



(fig 7).


INSTALLATION (CONTINUED)


4 MOUNTING THE FIXTURE


- Feed supply wires through the arm (D).

Wall Mount

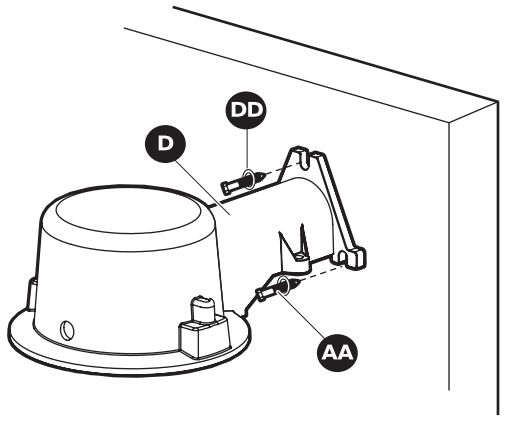
- Attach the fixture to the wall using the three hex head bolts (AA). (fig 8)

 **NOTE:** Use other suitable bolts or fasteners as applicable to your mounting surface.

 **IMPORTANT:** After marking and predrilling the three mounting holes, partially screw the bottom hex bolts (AA) and place the fixture's two bottom mounting grooves onto the bottom bolt (AA), then insert the top bolt, and tighten all bolts to firmly secure the fixture to the surface.

 **IMPORTANT:** Please refer to the below table for using the correct hardware according to mounting surface material.


Mounting Surface	Hardware
Brick	1/4 in. Hex head sleeve anchor (not included)
Wood pole	1/4 in. Lag bolts (AA)
Masonry block	1/4 in. Toggle bolts (not included)
Metal wall panels	1/4 in. Bolt, nut, washers, and flat backing plate (not included)

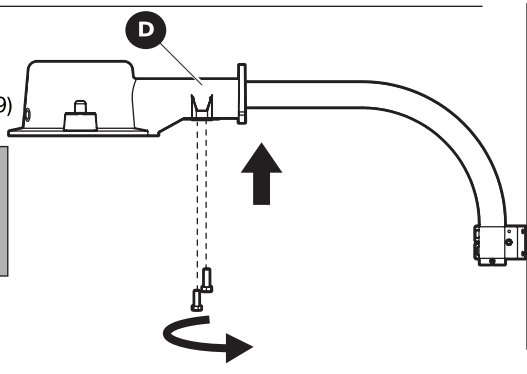


Wall Mount
(fig 8).

Extension Arm Mount

- Secure the extension arm to the light fixture arm (D) using the screws removed earlier. (fig 9)

 **IMPORTANT:** Extension Arm is available and sold separately. If you need to purchase the extension arm please contact your retail store. Installation instructions for the extension arm are available in the instructions sheet provided in the extension arm package.



Extension Arm Mount (fig 9).

INSTALLATION (CONTINUED)

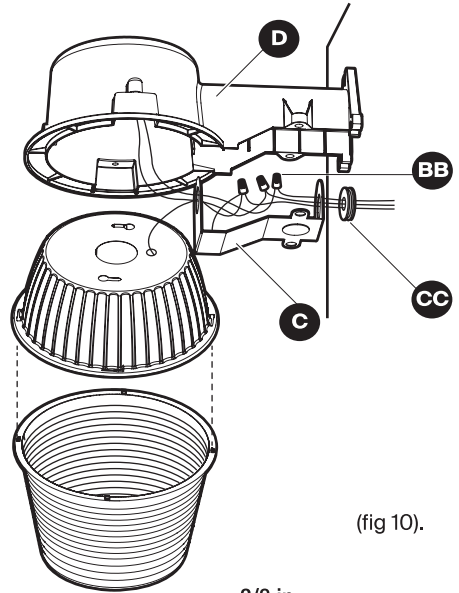
5 MAKE THE ELECTRICAL CONNECTIONS

Wall Mount

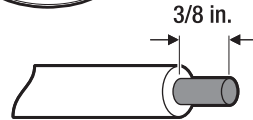
- Place rubber grommet (CC) into the hole of the wire cover plate before threading wires through.
- Thread the wires through the hole in the wire cover plate (C) before making wiring connections.

Wall and Extension Arm Mount Electrical Wiring

- If necessary, strip 3/8 in. of insulation from the junction box of fixture (A) wires.
- Connect the fixture black wire to the supply black wire ((+) line), and fixture white wire to the supply white wire ((-) common) by twisting the exposed wires together and using the wire nuts (BB). Ensure there are no loose wires.
- Connect the supply ground wire to the green fixture ground wires by twisting the exposed wires together and using the wire nuts (BB).



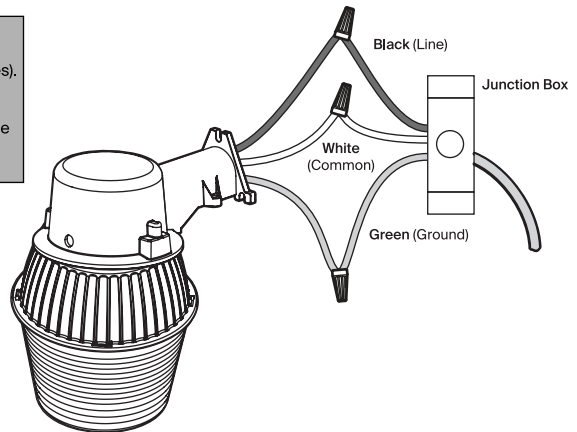
(fig 10).



TIP:

Hold stripped ends near each other and align any frayed strands (do not twist wires).

Push the wires into wire nut (BB) and use your fingers to twist the wire nut clockwise until tight. Check for tightness by pulling wires.



Non-Dimming Wiring Diagram

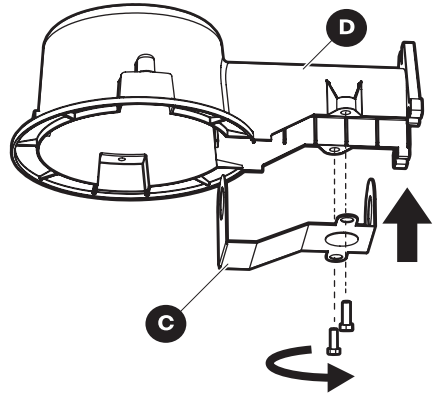
(fig 11).

INSTALLATION (CONTINUED)

6 SECURING THE FIXTURE AND WIRING

Wall Mount

- Once the fixture is wired, place the wire cover plate (C) on the arm (D) by tightening the two screws removed earlier. (fig 12)

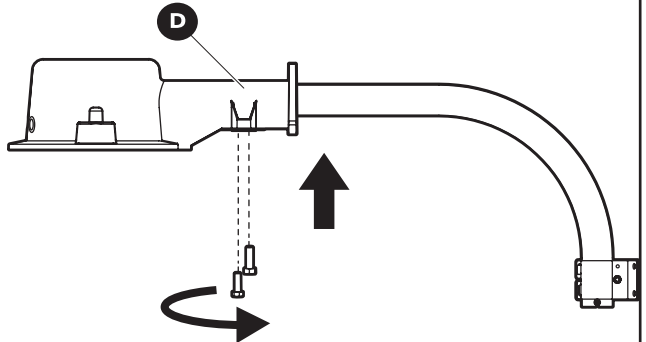


Wall Mount

(fig 12).

Extension Arm Mount

- After wiring is complete, secure the fixture on the extension arm by tightening the screws removed earlier. (fig 13)



Extension Arm Mount

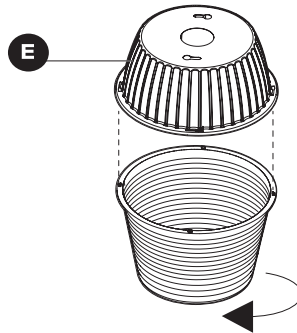
(fig 13).

INSTALLATION (CONTINUED)

7 INSTALLING THE REFLECTOR

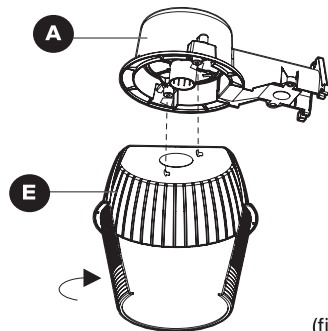
Preparing the reflector for installation

- Place the hooks from the bottom part of the lens reflector (E) into the holes provided in the upper part of the reflector's (E) rim and twist the bottom lens to fit.
- Close the hooks by pressing them down to lock.



Attaching the reflector to the fixture

- Install two small screws included with the reflector (E) leaving about 1/4 in. of space under the fixture head (A).
- Align keyholes in the reflector (E) with screw heads and rotate counterclockwise.
- Tighten the screws using a Phillips head screwdriver to attach the reflector (E) on the fixture head (A).



(fig 14).



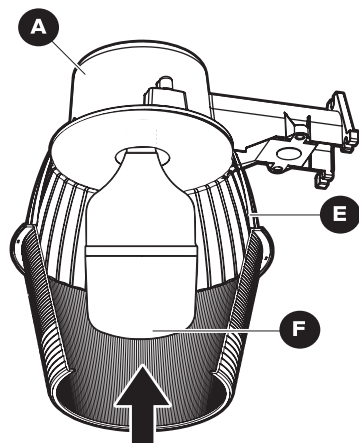
CAUTION: Be careful of sharp edges when installing the reflector and lens.

8 INSTALLING THE LED LIGHT

- Install the LED light (F) inside the reflector (E) on the fixture head (A). (fig 15)



NOTE: Only use YMT T100 29W 1940-40 (provided in the box) for installation.



(fig 15).

OPERATION

1 SELECT DUSK-TO-DAWN

**AUTOMATIC
NIGHTTIME ON**

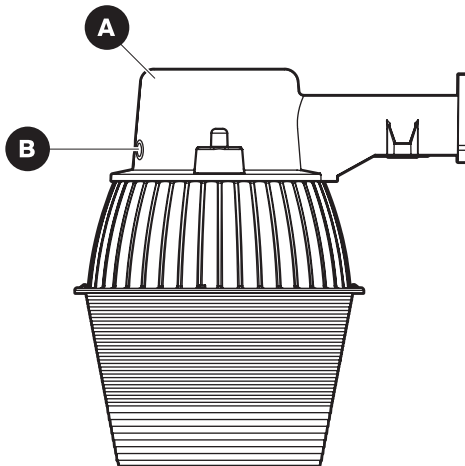


DAYTIME OFF

OPTION 1: DUSK-TO-DAWN OPERATION

Dusk-to-dawn operation enables the light fixture to automatically turn ON when dark outside and turn OFF when the sun rises, thus saving you energy.

- To enable dusk-to-dawn operation, make sure the photocell (B) is exposed to light and is unobstructed.
- Ensure the switch powering the light fixture is turned to the ON position and leave it ON at all times to enable automatic dusk-to-dawn operation.



(fig 16).



TIP: To test if the light fixture (A) and photocell (B) work properly, run power to the fixture and cover the photocell to turn fixture ON. Shine a light into the photocell to see if fixture turns OFF.



NOTE: If photocell (B) is located in an area under heavy shade, the photocell may not detect enough light and may turn the light fixture on.

CARE AND CLEANING

- Shut off main power supply before cleaning the product. To prolong the original appearance, clean the light fixture with clear water and a soft, damp cloth only.
- Do not use abrasive cleaners or cleaners that contain alcohol. Do not apply paints, solvents, or any other chemicals on this light fixture. They could cause a premature deterioration of the finish and may void the warranty.
- Do not spray the light fixture with a hose or power washer.

TROUBLESHOOTING

Problem	Possible Cause	Solution
Light does not turn ON	No power to the fixture	Check if circuit breaker is tripped Confirm wall switch is ON verify wiring to fixture is correct (turn power off to fixture beforehand)
	Fixture is sensing daylight	Cover photocell. Wait several seconds until fixture turns ON.
Light cycles ON and OFF continuously	Photocell light sensor is sensing reflected light	Relocate light fixture to a location where there is no reflected light. OR place the optional photocell cover over the photocell light sensor and use the wall switch to turn the light ON and OFF.
Light FLICKERS	The light fixture is wired through a dimmer switch.	Do not use a dimmer switch to control the light fixture. Replace the dimmer with a standard ON/OFF switch.
Light stays ON	Light sensor is in a shaded area	Shine a flashlight into the light sensor and wait a couple of minutes. If the light turns OFF, the fixture should be moved to a location with enough light in the daylight hours for the light sensor to work. OR cover the photocell light sensor and use the wall switch to turn the light ON and OFF.
	Light sensor is faulty	If the light does not turn off when a flashlight is shone on the light sensor for a few minutes, then the sensor may be faulty. Please contact customer service.



NOTE: The sensitivity of photocell (B) causes a few minutes delay. When testing, allow a few minutes for photocell to respond to any change in light level.

5-YEAR LIMITED WARRANTY

This is a limited warranty offered by Probrite for a period of five years from the date of purchase to its customers. Probrite warrants to customers that the products will be free from defects in material and workmanship. The obligation of Probrite under this warranty is limited to the provision of replacement of products and is extended to the original purchaser of the product on presenting valid purchase receipt or other proof of date of original purchase acceptable to Probrite. The receipt is required for rendering the warranty performance. Any warranty claims without original proof of purchase would not be accepted.

It should be noted that the warranty does not apply to Probrite products that have been altered or repaired by unauthorized personnel, have been subjected to neglect, abuse, misuse or accident or damages caused during shipping. Any other products not manufactured by Probrite which have been supplied, installed and/or used in conjunction with Probrite products are not covered under this warranty. Any damages caused by replacements bulbs, LEDs or corrosion or discoloration of brass components are also not covered by this warranty.

Limitation of Liability:

In no event Probrite shall be liable for indirect, consequential, incidental or special damages, or lost profits. Probrite is not liable for any claims or damage arising out of or connected with the manufacture, sale, delivery, use, maintenance and repair or modification of Probrite products, or supply of any replacement parts that, exceed the purchase price of Probrite products giving rise to a claim. Labor charges to remove or install the fixtures will not be accepted.

To Claim:

Please contact PROBRITE customer service at 1-844-507-5651 or email support@PROBRITE.com and include your name, address and contact number, along with a copy of the purchase receipt and a brief description of the problem.

PROBRITE®

Questions? / Missing Parts? / Need Accessories?

Before returning to the store, call or email PROBRITE
Customer Service 9am-5pm EST Monday to Friday.

1-844-507-5651

support@PROBRITE.com

PROBRITE.COM

RETAIN THIS MANUAL FOR FUTURE USE

Para las traducciones en español,
visit www.probrite.com/install